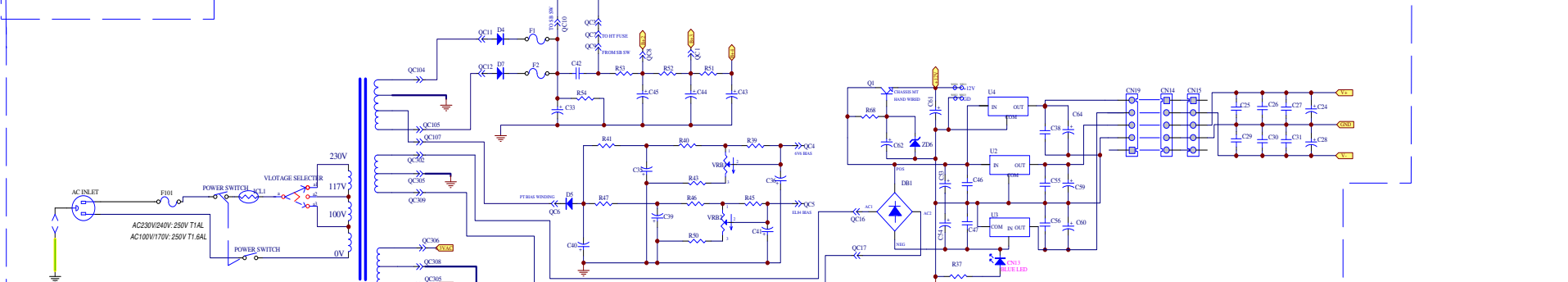
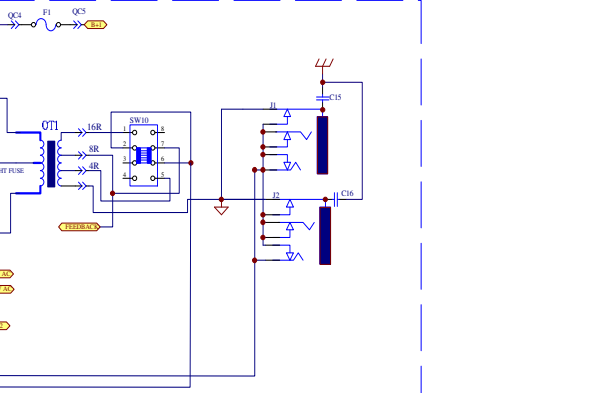
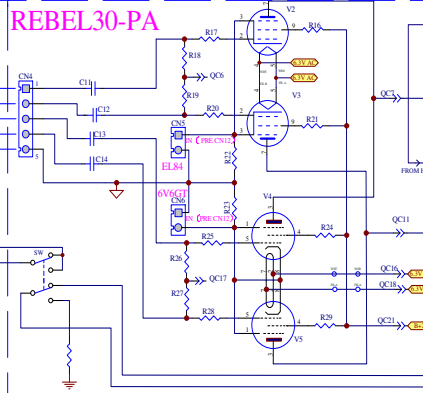
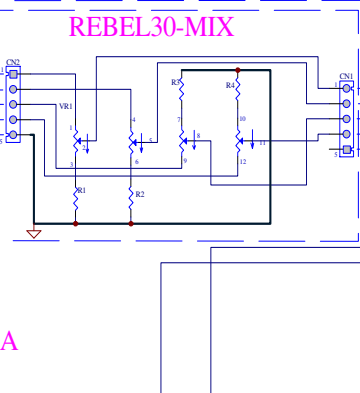
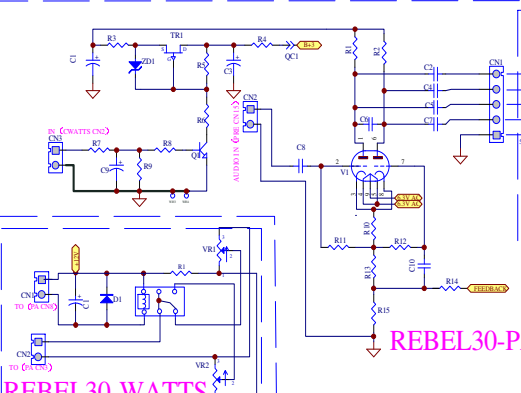
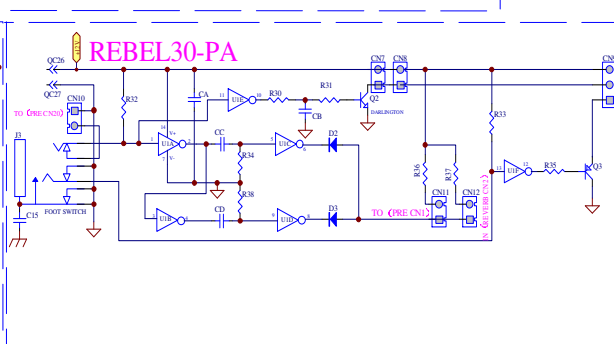
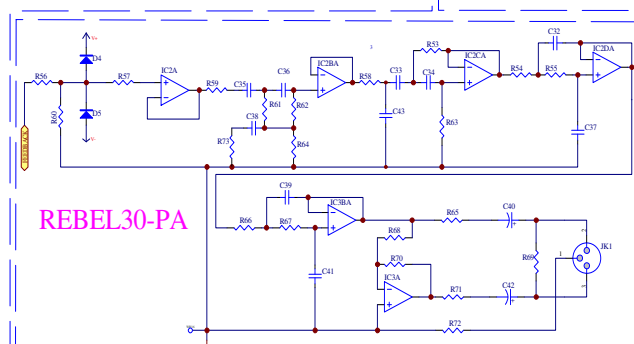
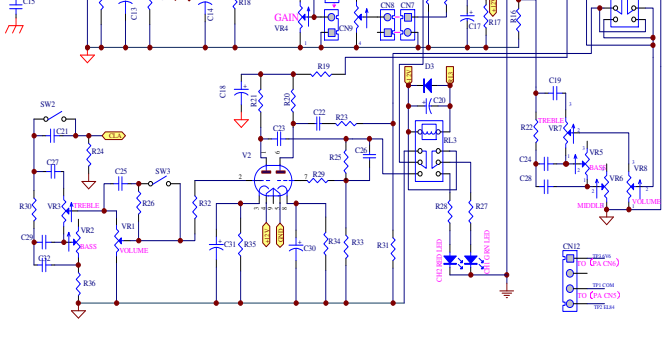
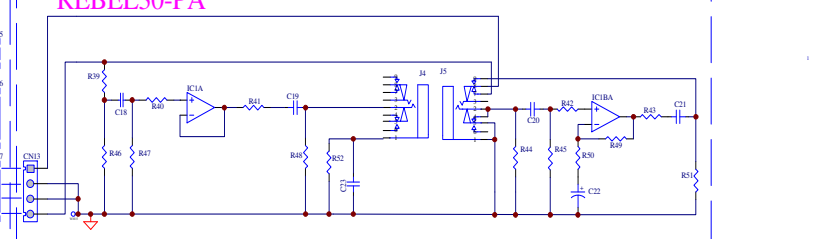
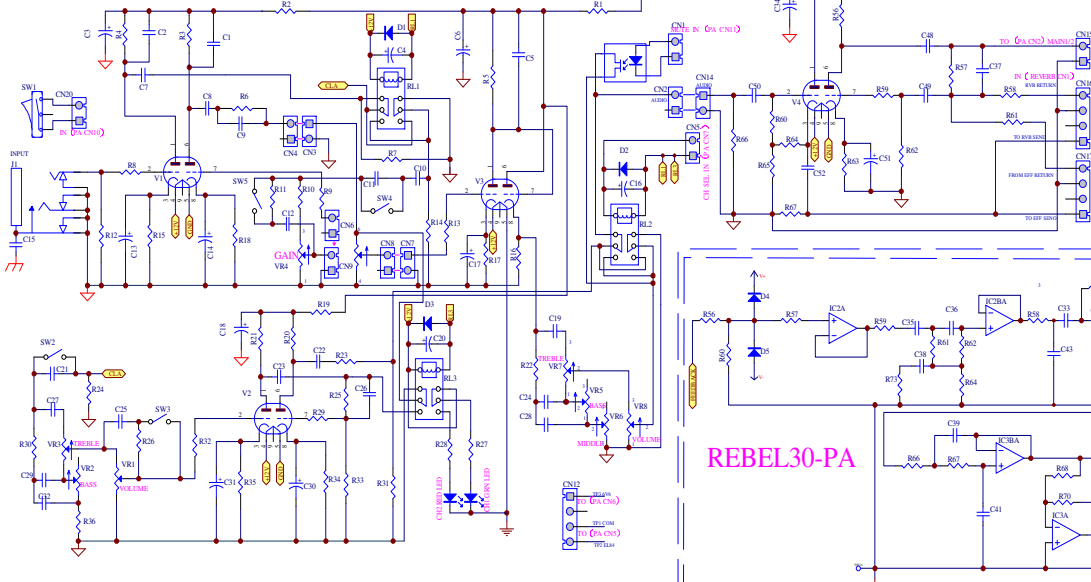


REBEL30-PRE

REBEL30-PA



|                     |        |         |
|---------------------|--------|---------|
| Title               |        | REBEL30 |
| Size                | Number |         |
| Project Application |        |         |
| Date: _____         |        |         |
| File: _____         |        |         |