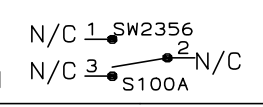
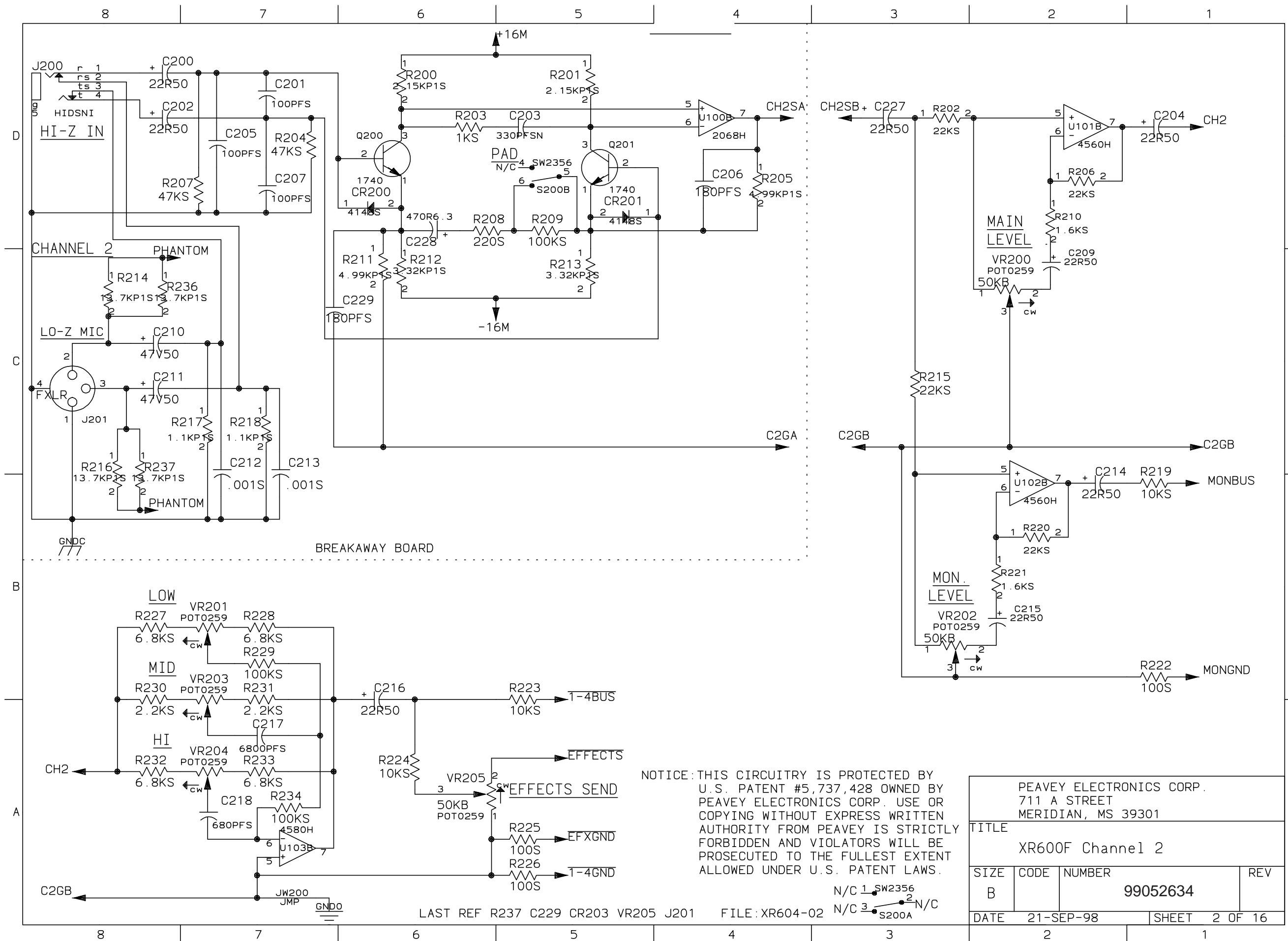


NOTICE: THIS CIRCUITRY IS PROTECTED BY U.S. PATENT #5,737,428 OWNED BY PEAVEY ELECTRONICS CORP. USE OR COPYING WITHOUT EXPRESS WRITTEN AUTHORITY FROM PEAVEY IS STRICTLY FORBIDDEN AND VIOLATORS WILL BE PROSECUTED TO THE FULLEST EXTENT ALLOWED UNDER U.S. PATENT LAWS.

| | | | |
|--|------------------|--------------------|-----|
| PEAVEY ELECTRONICS CORP. 711 A STREET MERIDIAN, MS 39301 | | | |
| TITLE XR600F Channel 1 | | | |
| SIZE B | CODE | NUMBER 99052634 | REV |
| DATE 21-SEP-98 | SHEET 1 OF 16 | | |

LAST REF R137 C129 CR103 VR105 J101 FILE: XR604-01

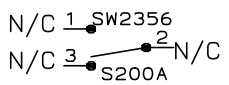


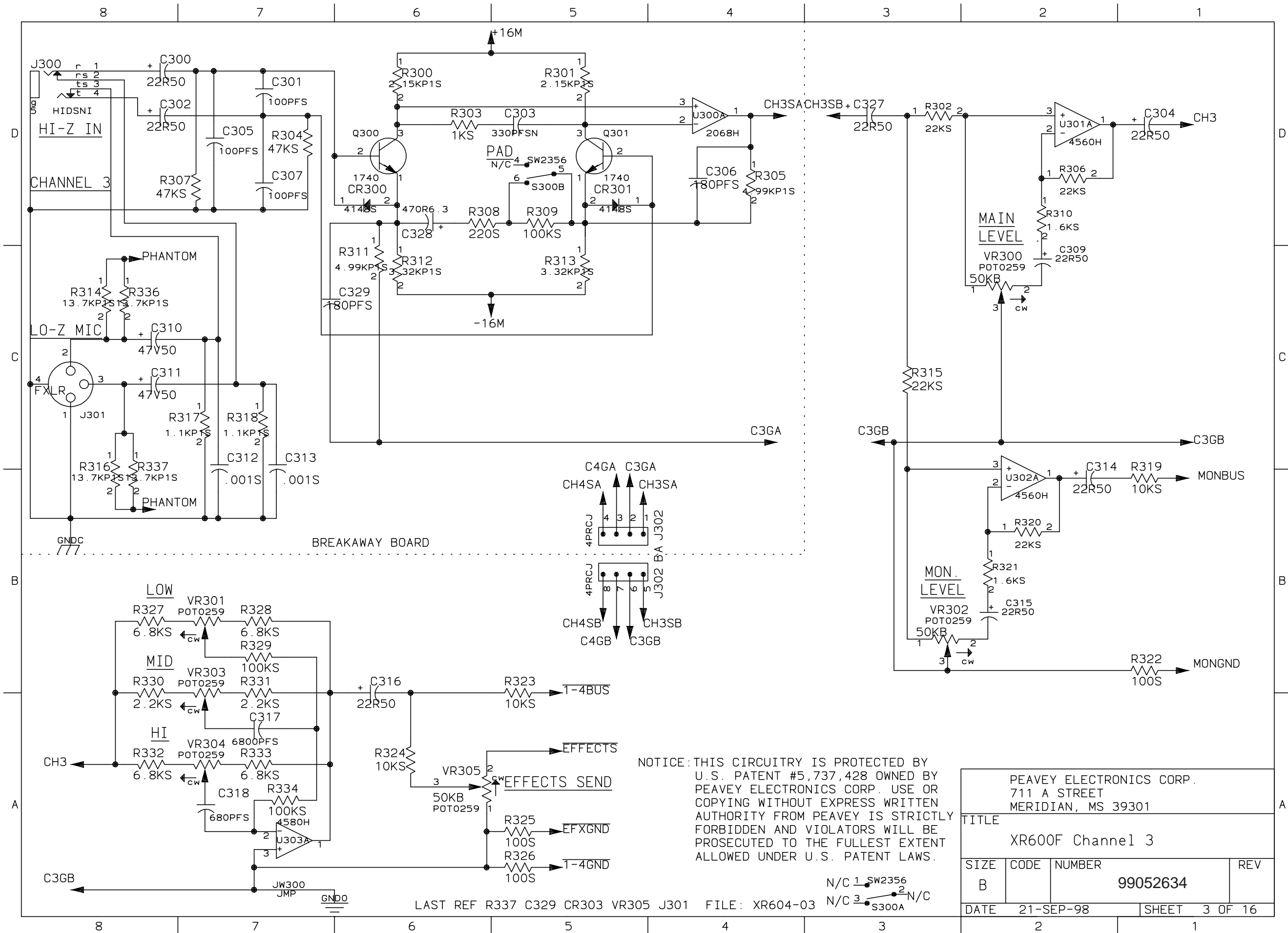


NOTICE: THIS CIRCUITRY IS PROTECTED BY U.S. PATENT #5,737,428 OWNED BY PEAVEY ELECTRONICS CORP. USE OR COPYING WITHOUT EXPRESS WRITTEN AUTHORITY FROM PEAVEY IS STRICTLY FORBIDDEN AND VIOLATORS WILL BE PROSECUTED TO THE FULLEST EXTENT ALLOWED UNDER U.S. PATENT LAWS.

| | | | |
|--|------------------|--------------------|-----|
| PEAVEY ELECTRONICS CORP. 711 A STREET MERIDIAN, MS 39301 | | | |
| TITLE XR600F Channel 2 | | | |
| SIZE B | CODE | NUMBER 99052634 | REV |
| DATE 21-SEP-98 | SHEET 2 OF 16 | | 1 |

LAST REF R237 C229 CR203 VR205 J201 FILE:XR604-02

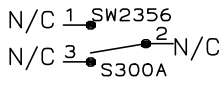


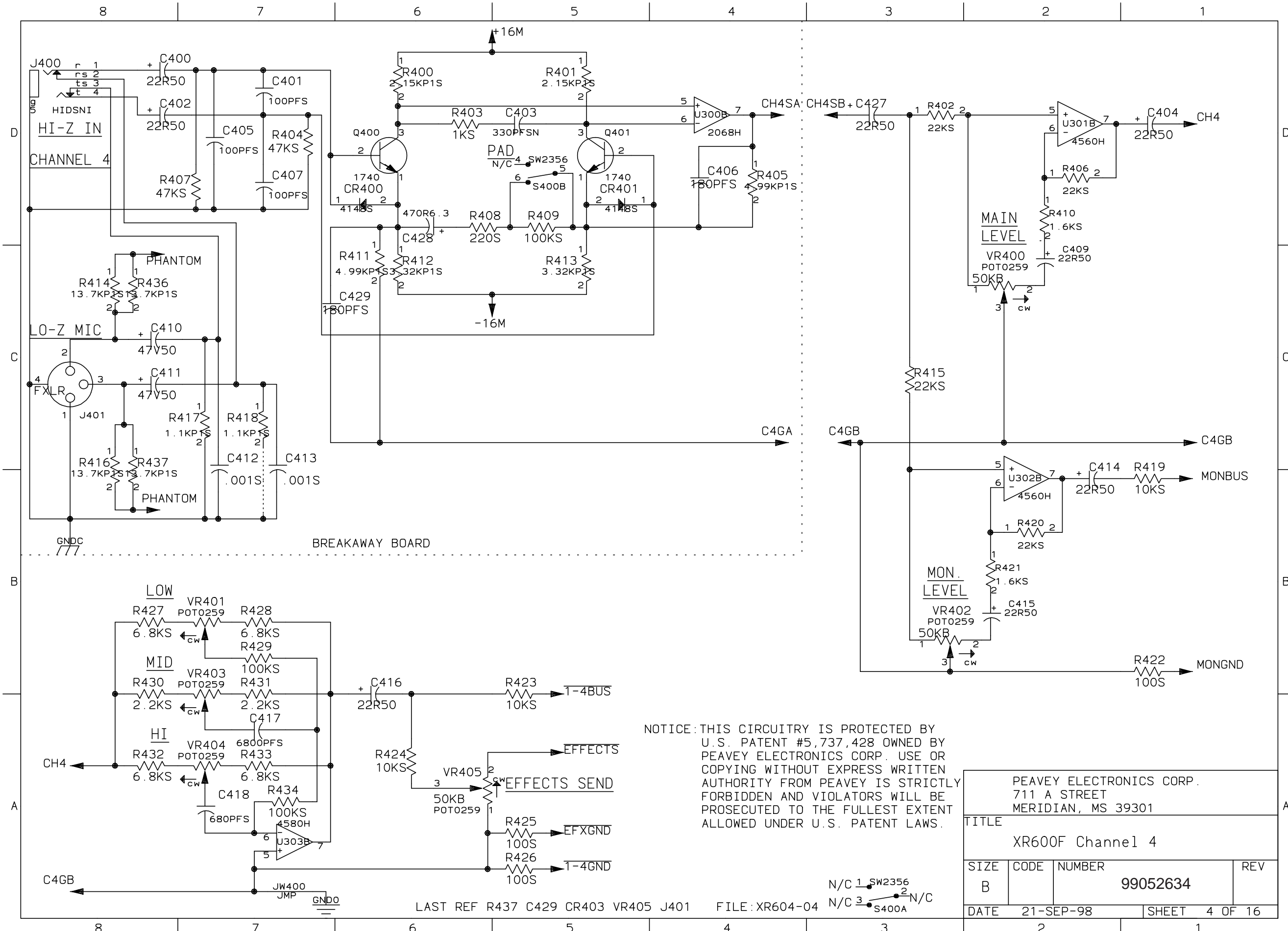


NOTICE: THIS CIRCUITRY IS PROTECTED BY U.S. PATENT #5,737,428 OWNED BY PEAVEY ELECTRONICS CORP. USE OR COPYING WITHOUT EXPRESS WRITTEN AUTHORITY FROM PEAVEY IS STRICTLY FORBIDDEN AND VIOLATORS WILL BE PROSECUTED TO THE FULLEST EXTENT ALLOWED UNDER U.S. PATENT LAWS.

| | | | |
|--|------------------|--------------------|-----|
| PEAVEY ELECTRONICS CORP. 711 A STREET MERIDIAN, MS 39301 | | | |
| TITLE XR600F Channel 3 | | | |
| SIZE B | CODE | NUMBER 99052634 | REV |
| DATE 21-SEP-98 | SHEET 3 OF 16 | | 1 |

LAST REF R337 C329 CR303 VR305 J301 FILE: XR604-03

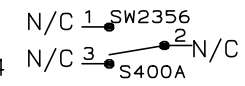


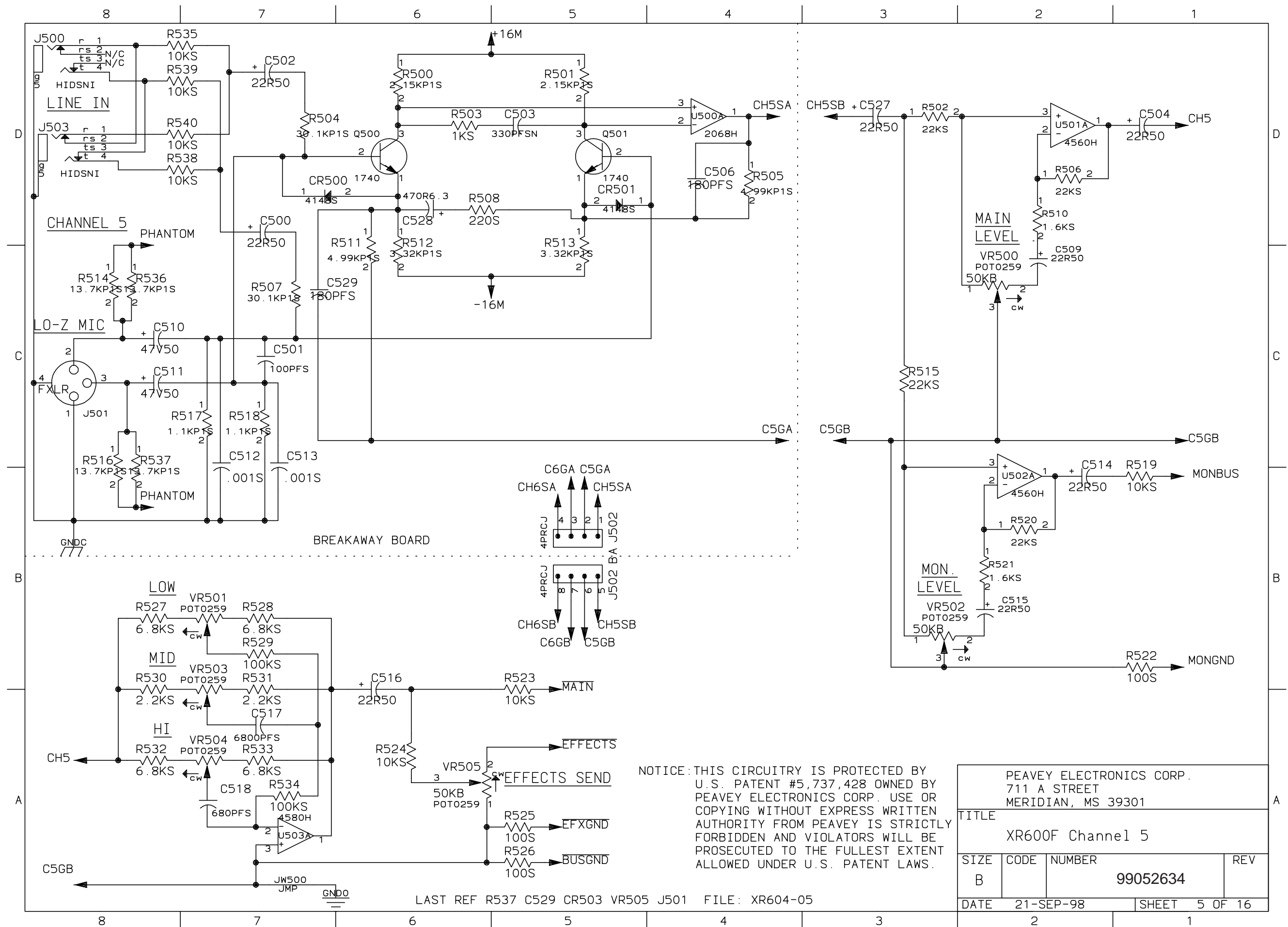


NOTICE: THIS CIRCUITRY IS PROTECTED BY U.S. PATENT #5,737,428 OWNED BY PEAVEY ELECTRONICS CORP. USE OR COPYING WITHOUT EXPRESS WRITTEN AUTHORITY FROM PEAVEY IS STRICTLY FORBIDDEN AND VIOLATORS WILL BE PROSECUTED TO THE FULLEST EXTENT ALLOWED UNDER U.S. PATENT LAWS.

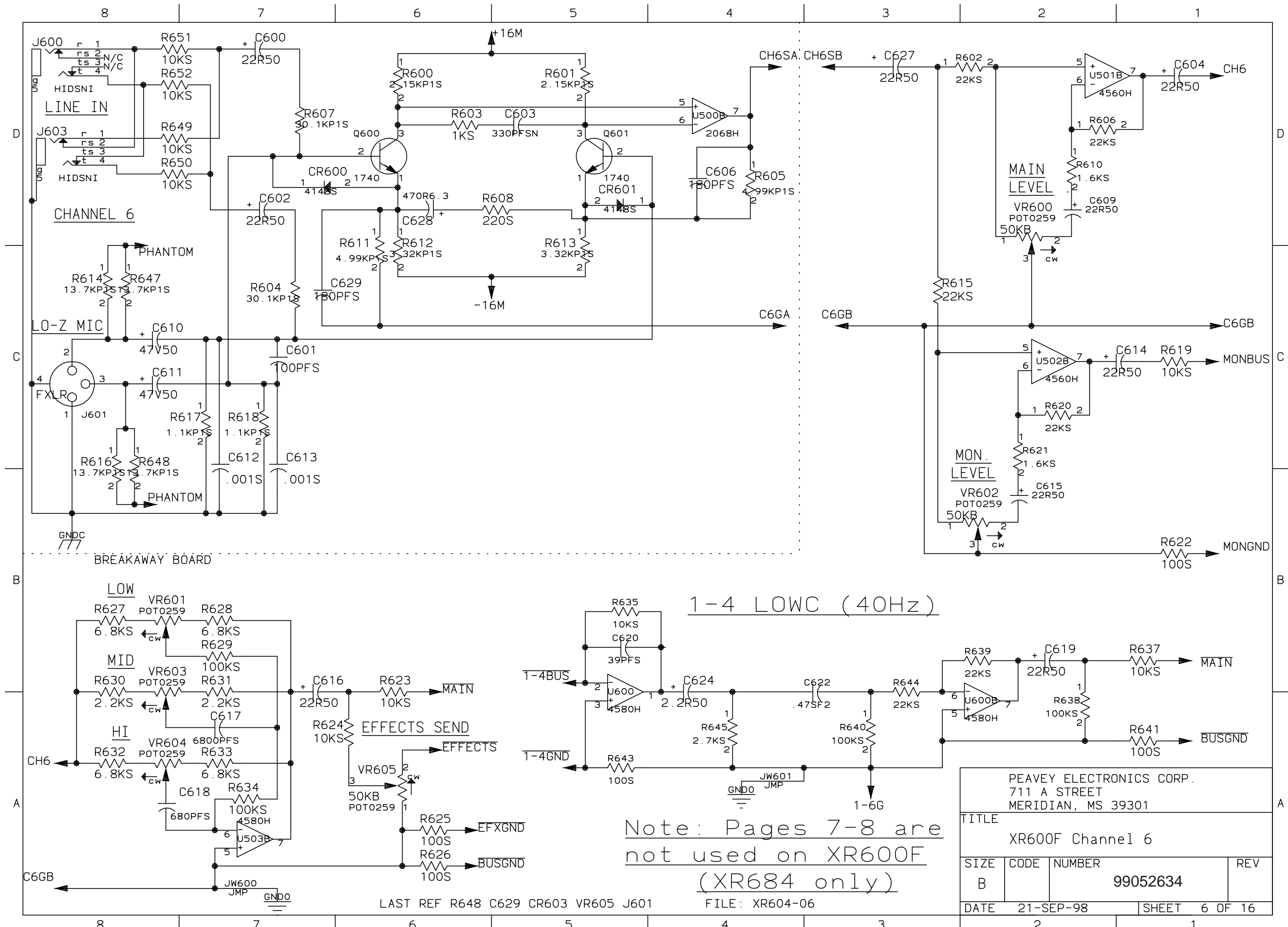
| | | | |
|--|------------------|--------------------|-----|
| PEAVEY ELECTRONICS CORP. 711 A STREET MERIDIAN, MS 39301 | | | |
| TITLE XR600F Channel 4 | | | |
| SIZE B | CODE | NUMBER 99052634 | REV |
| DATE 21-SEP-98 | SHEET 4 OF 16 | | |

LAST REF R437 C429 CR403 VR405 J401 FILE:XR604-04





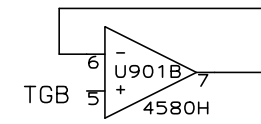
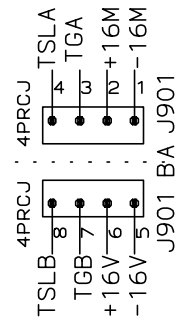
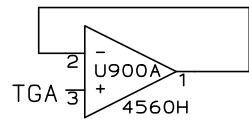
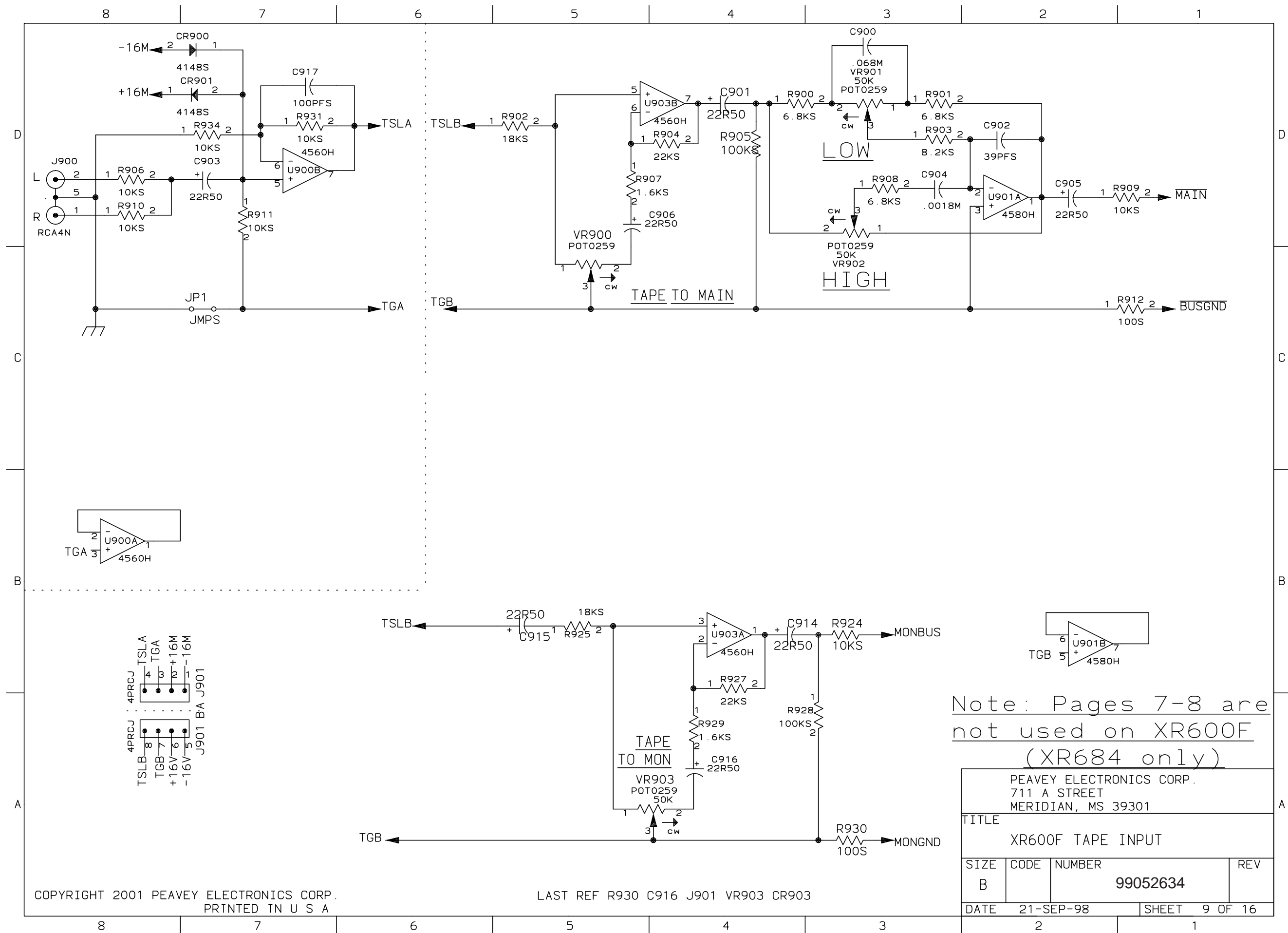
| | | | |
|--|------------------|--------------------|-----|
| PEAVEY ELECTRONICS CORP. 711 A STREET MERIDIAN, MS 39301 | | | |
| TITLE XR600F Channel 5 | | | |
| SIZE B | CODE | NUMBER 99052634 | REV |
| DATE 21-SEP-98 | SHEET 5 OF 16 | | 1 |



Note: Pages 7-8 are not used on XR600F (XR684 only)

LAST REF R648 C629 CR603 VR605 J601 FILE: XR604-06

| | | | |
|--|------------------|--------------------|-----|
| PEAVEY ELECTRONICS CORP. 711 A STREET MERIDIAN, MS 39301 | | | |
| TITLE XR600F Channel 6 | | | |
| SIZE B | CODE | NUMBER 99052634 | REV |
| DATE 21-SEP-98 | SHEET 6 OF 16 | | |

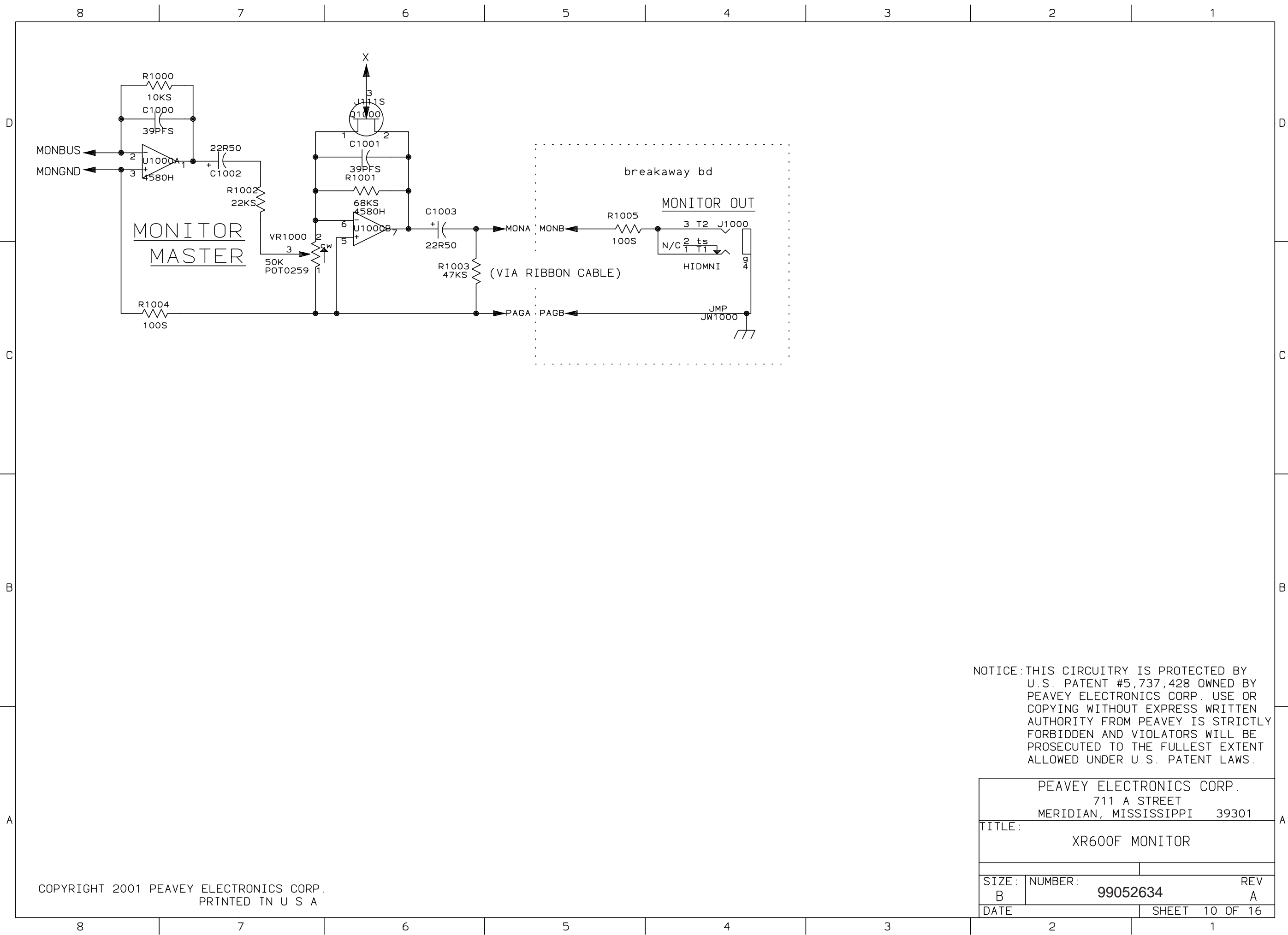


Note: Pages 7-8 are not used on XR600F (XR684 only)

| | | | |
|--|------------------|--------------------|-----|
| PEAVEY ELECTRONICS CORP. 711 A STREET MERIDIAN, MS 39301 | | | |
| TITLE XR600F TAPE INPUT | | | |
| SIZE B | CODE | NUMBER 99052634 | REV |
| DATE 21-SEP-98 | SHEET 9 OF 16 | | |

COPYRIGHT 2001 PEAVEY ELECTRONICS CORP.
PRINTED IN U S A

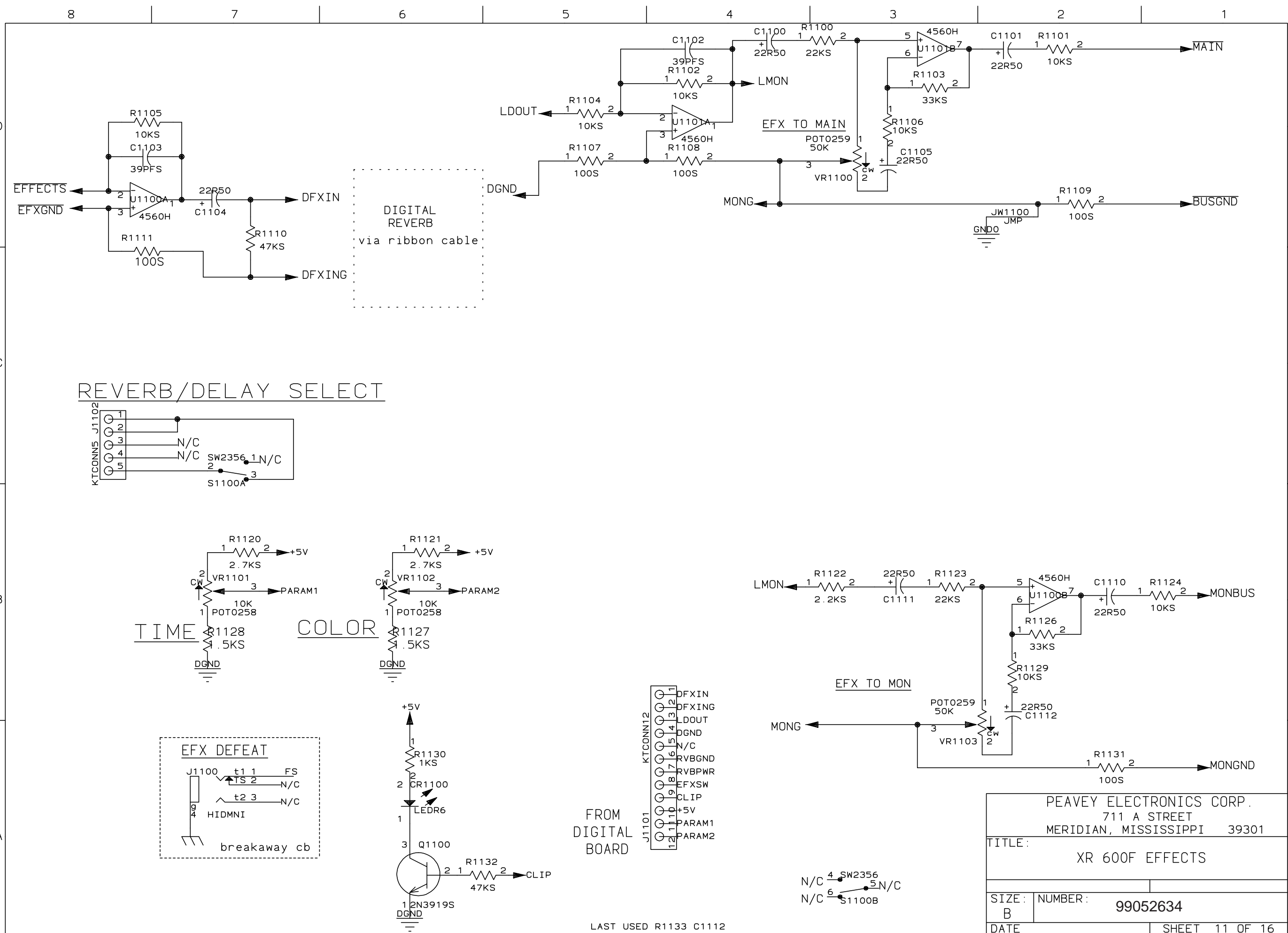
LAST REF R930 C916 J901 VR903 CR903



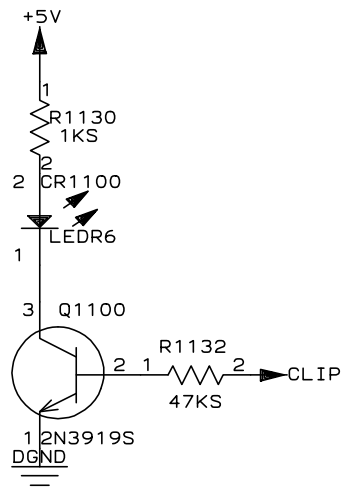
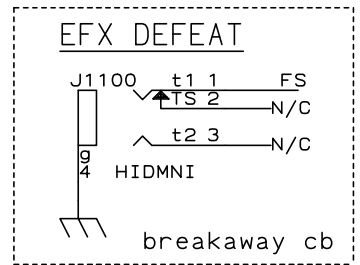
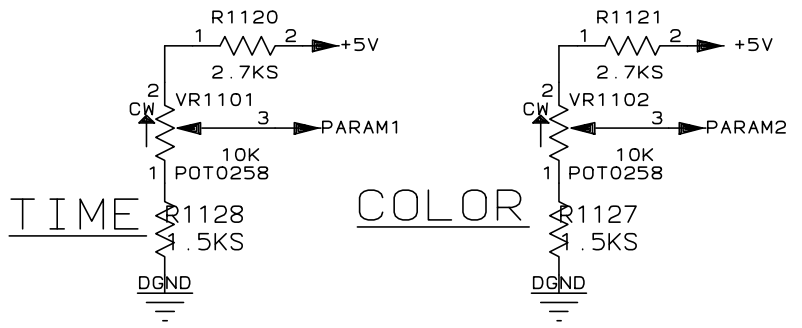
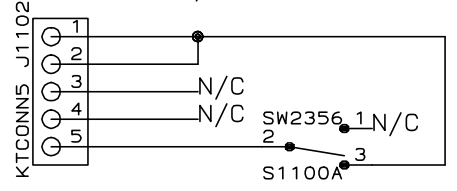
NOTICE: THIS CIRCUITRY IS PROTECTED BY U.S. PATENT #5,737,428 OWNED BY PEAVEY ELECTRONICS CORP. USE OR COPYING WITHOUT EXPRESS WRITTEN AUTHORITY FROM PEAVEY IS STRICTLY FORBIDDEN AND VIOLATORS WILL BE PROSECUTED TO THE FULLEST EXTENT ALLOWED UNDER U.S. PATENT LAWS.

| | | |
|---|---------------------|----------|
| PEAVEY ELECTRONICS CORP. 711 A STREET MERIDIAN, MISSISSIPPI 39301 | | |
| TITLE: XR600F MONITOR | | |
| SIZE: B | NUMBER: 99052634 | REV A |
| DATE | SHEET | 10 OF 16 |

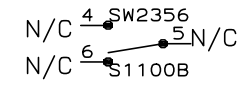
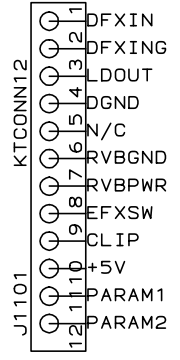
COPYRIGHT 2001 PEAVEY ELECTRONICS CORP.
PRINTED IN U S A



REVERB/DELAY SELECT

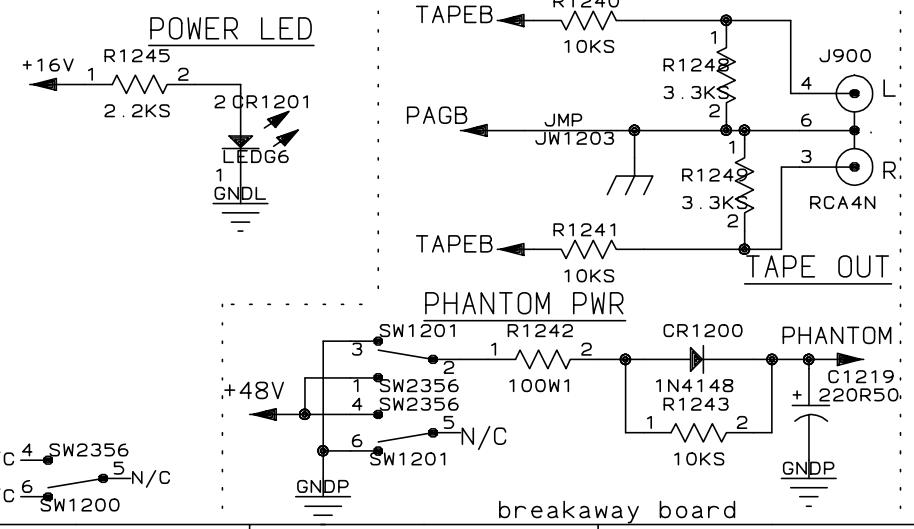
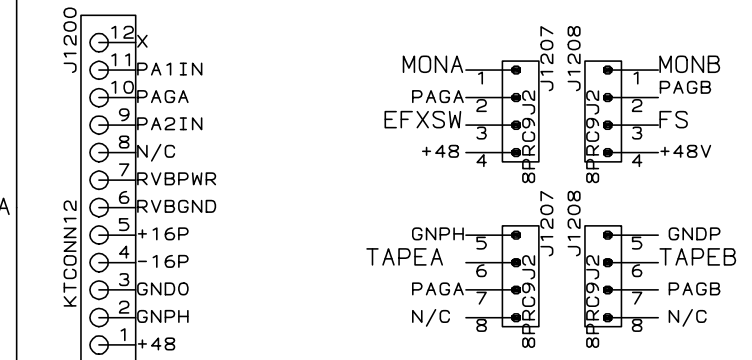
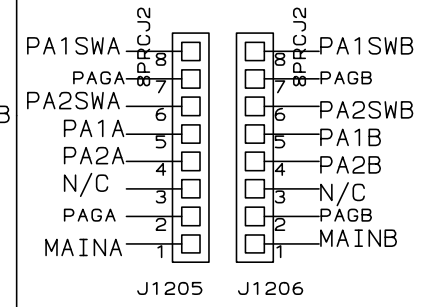
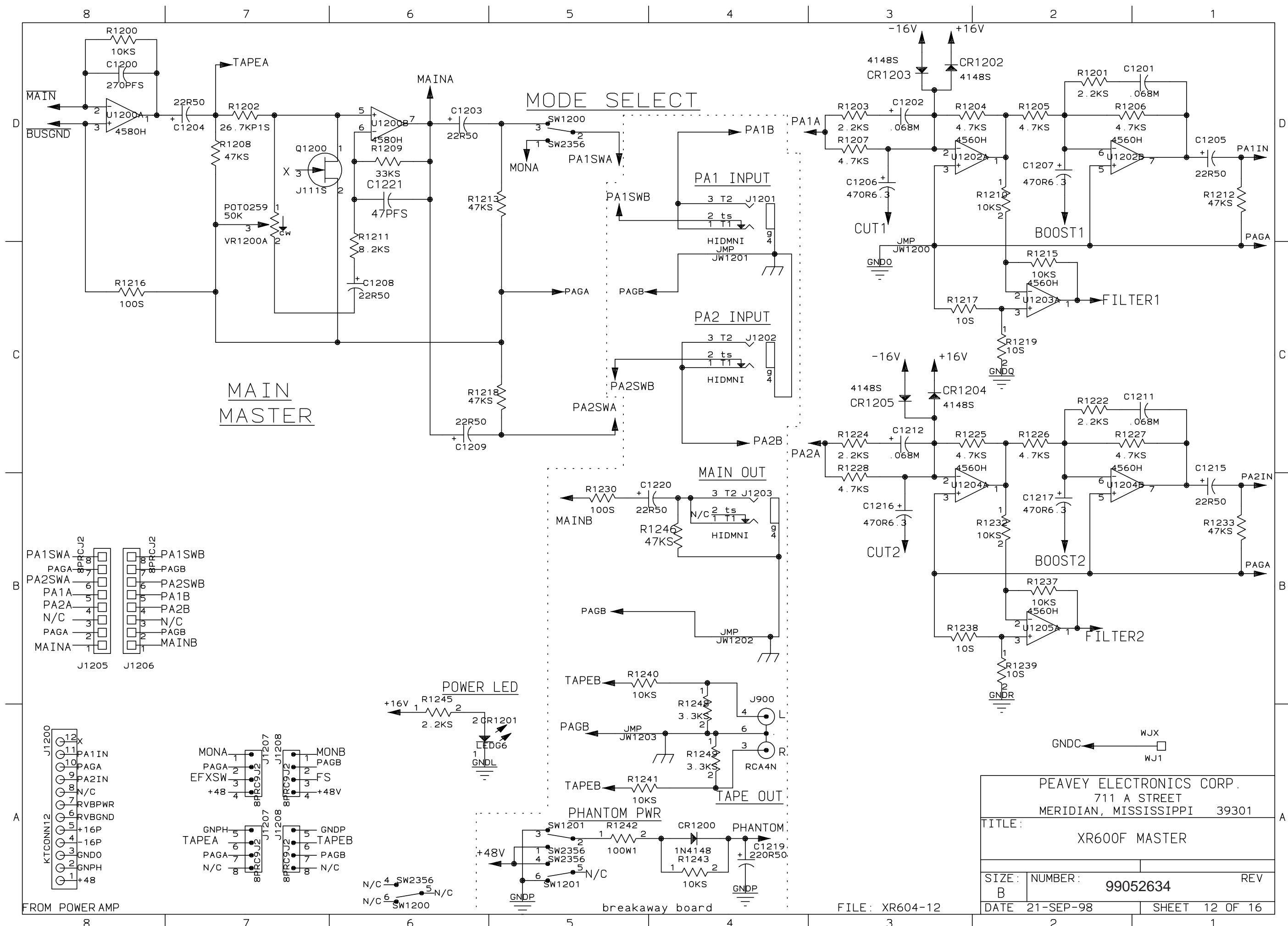


FROM DIGITAL BOARD



LAST USED R1133 C1112

| | |
|---|------------------|
| PEAVEY ELECTRONICS CORP. 711 A STREET MERIDIAN, MISSISSIPPI 39301 | |
| TITLE: XR 600F EFFECTS | |
| SIZE: B | NUMBER: 99052634 |
| DATE | SHEET 11 OF 16 |



| | | |
|---|------------------|-----|
| PEAVEY ELECTRONICS CORP. 711 A STREET MERIDIAN, MISSISSIPPI 39301 | | |
| TITLE: XR600F MASTER | | |
| SIZE: B | NUMBER: 99052634 | REV |
| DATE: 21-SEP-98 | SHEET 12 OF 16 | |

FILE: XR604-12

breakaway board

8

7

6

5

4

3

2

1

D

D

C

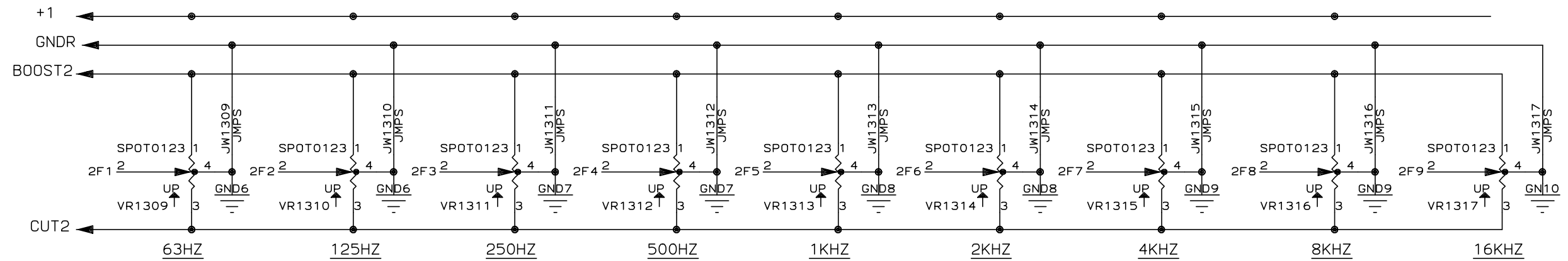
C

B

B

A

A



NOTICE: THIS CIRCUITRY IS PROTECTED BY U.S. PATENT #5,737,428 OWNED BY PEAVEY ELECTRONICS CORP. USE OR COPYING WITHOUT EXPRESS WRITTEN AUTHORITY FROM PEAVEY IS STRICTLY FORBIDDEN AND VIOLATORS WILL BE PROSECUTED TO THE FULLEST EXTENT ALLOWED UNDER U.S. PATENT LAWS.

| | | |
|---|---------------------|-----------|
| PEAVEY ELECTRONICS CORP. 711 A STREET MERIDIAN, MISSISSIPPI 39301 | | |
| TITLE: XR 600F EQ SLIDERS | | |
| SIZE: B | NUMBER: 99052634 | REV: A |
| DATE | SHEET 13 OF 16 | |

8

7

6

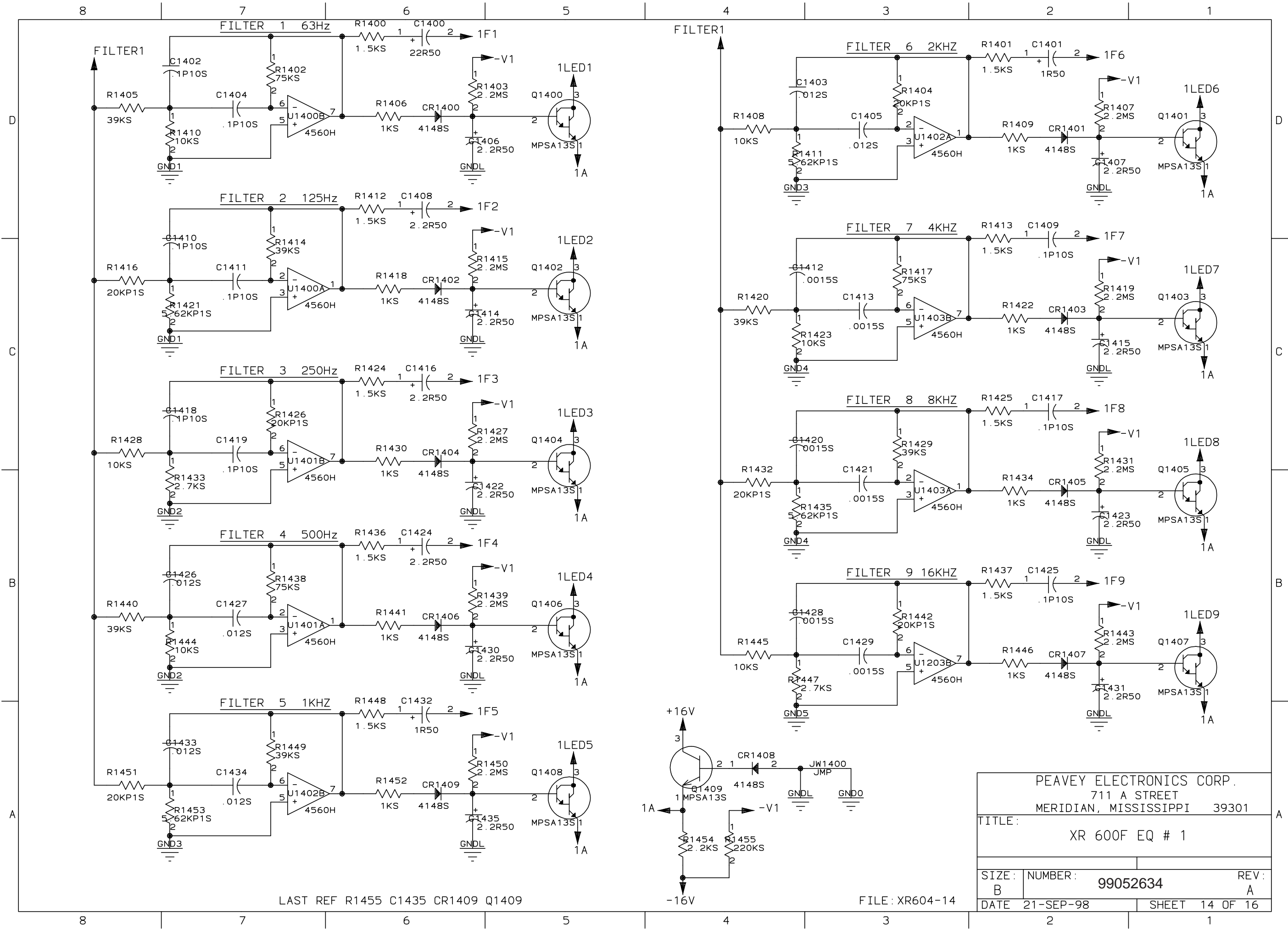
5

4

3

2

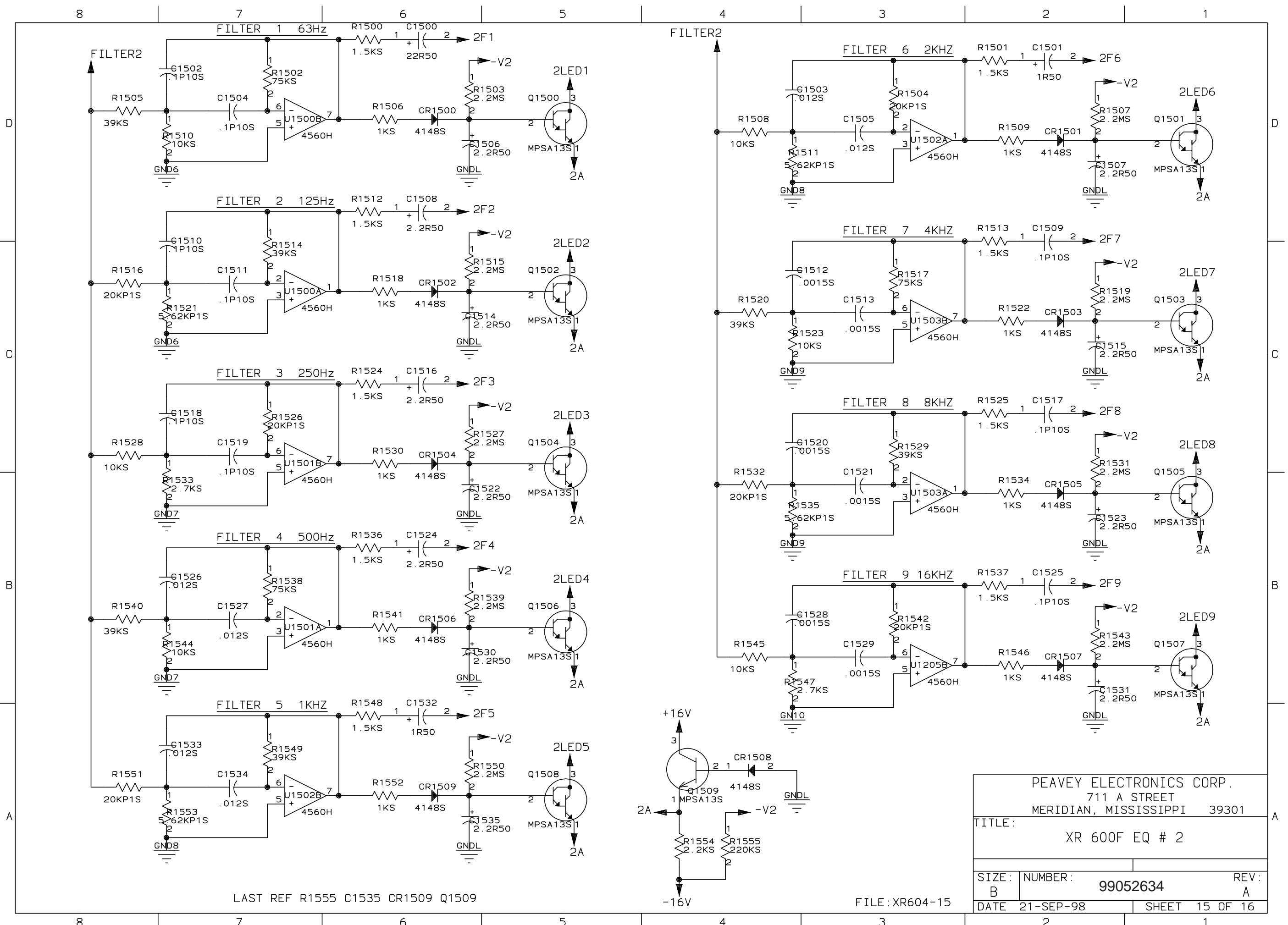
1



LAST REF R1455 C1435 CR1409 Q1409

FILE: XR604-14

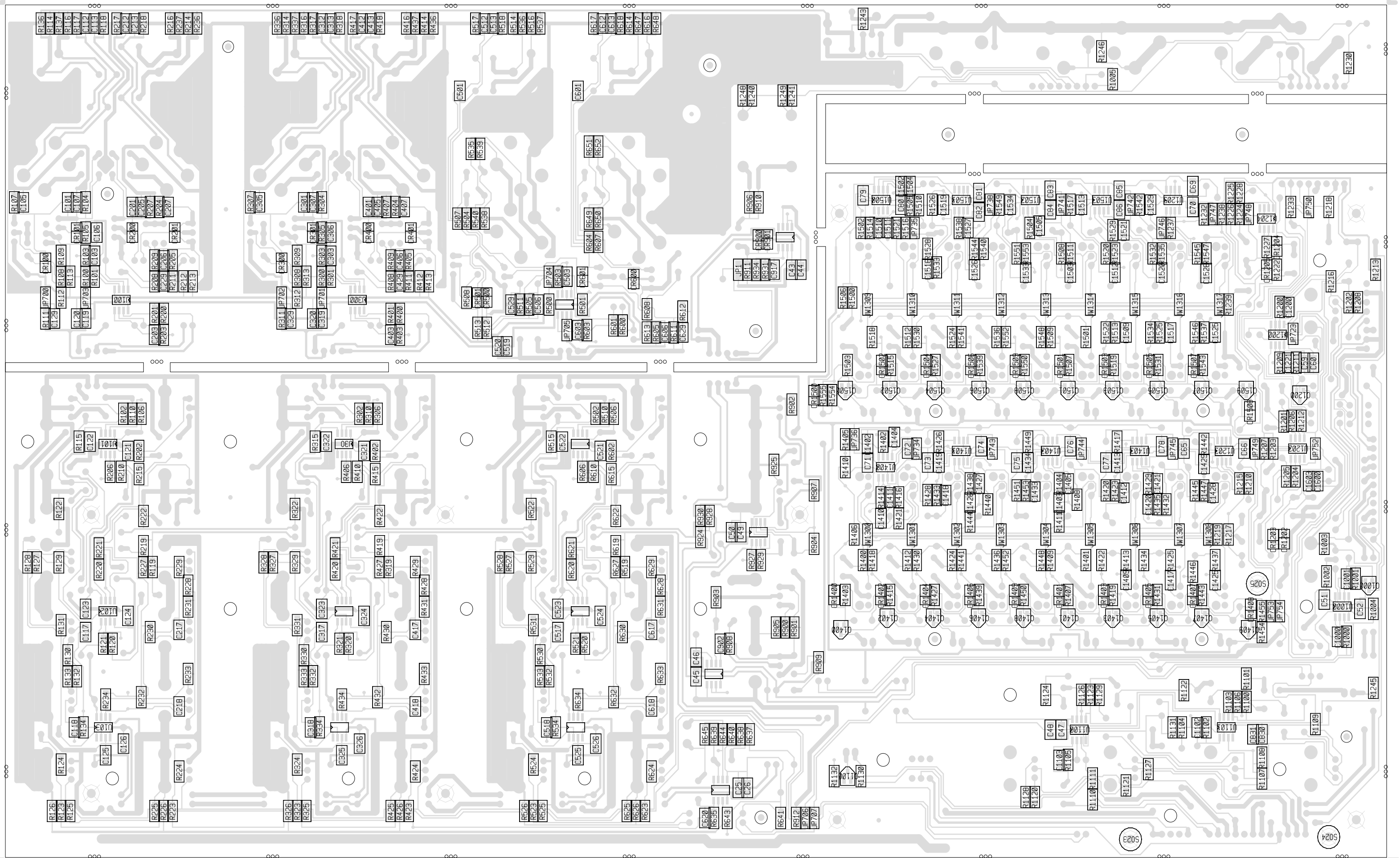
| | | |
|---|------------------|--------|
| PEAVEY ELECTRONICS CORP. 711 A STREET MERIDIAN, MISSISSIPPI 39301 | | |
| TITLE: XR 600F EQ # 1 | | |
| SIZE: B | NUMBER: 99052634 | REV: A |
| DATE: 21-SEP-98 | SHEET 14 OF 16 | |



LAST REF R1555 C1535 CR1509 Q1509

| | | |
|---|---------------------|-----------|
| PEAVEY ELECTRONICS CORP. 711 A STREET MERIDIAN, MISSISSIPPI 39301 | | |
| TITLE: XR 600F EQ # 2 | | |
| SIZE: B | NUMBER: 99052634 | REV: A |
| DATE 21-SEP-98 | SHEET 15 OF 16 | |

FILE: XR604-15



XR600F PREAMP SECONDARY SIDE

BILL OF MATERIALS REPORT

 BOARD NAME: XR600F REPORT DATE: 6NOV00
 ASSEMBLY LEVEL NUMBER: 99052634 DESIGNER: FREDDIE EAVES/RAY
 GAULDIN PROJECT NUMBER: P9500237

CBDS
 PART PART DESCRIPTION AND
 ** QTY. NAME VALUE NUMBER DEVICE DESIGNATIONS *****

1 98852632 98852632 ECN#0019 PCB
 12 .0015S .0015 70300037 .0015MF X7R 50V 10% SMT 1206
 C1412, C1413, C1420, C1421, C1428,
 C1429, C1512, C1513, C1520, C1521,
 C1528, C1529
 1 .0018M .0018M 70330127 .0018M 5% 50vdc my T&A
 C904
 12 .001S .001 70300036 .001MF X7R 50V 10% SMT 1206
 C112, C113, C212, C213, C312, C313,
 C412, C413, C512, C513, C612, C613
 12 .012S .012 70300074 .012UF--X7R--100V--5%--SMT1206
 C1403, C1405, C1426, C1427, C1433,
 C1434, C1503, C1505, C1526, C1527,
 C1533, C1534
 5 .068M .068M 70330124 .068M 5% 50vdc my T&A
 C900, C1201, C1202, C1211, C1212
 18 .1P10S .1p10 70300028 .1mfd x7r 50v 10% 1206
 C1402, C1404, C1409, C1410, C1411,
 C1417, C1418, C1419, C1425, C1502,
 C1504, C1509, C1510, C1511, C1517,
 C1518, C1519, C1525
 62 .1S .1 70300035 .1MF Z5U 50V 20% SMT 1206
 C25, C26, C43, C44, C45, C46, C47, C48,
 C49, C50, C51, C52, C59, C60, C65, C66,
 C69, C70, C71, C72, C73, C74, C75, C76,
 C77, C78, C79, C80, C81, C82, C83, C84,
 C85, C86, C119, C120, C121, C122, C123,
 C124, C125, C126, C319, C320, C321,
 C322, C323, C324, C325, C326, C519,
 C520, C521, C522, C523, C524, C525,
 C526, C830, C831, C1600, C1603

1 .47SF2 .47SF2 70330148 .47MF 5% 100VDC SF T&A
 C622
 12 1.1KP1S 1.1K 70200069 1.1K--1/8W--1%---SMT 1206
 R117, R118, R217, R218, R317, R318,
 R417, R418, R517, R518, R617, R618
 20 1.5KS 1.5K 70200020 1.5K--1/8W--5%---smt
 R1127, R1128, R1400, R1401, R1412,
 R1413, R1424, R1425, R1436, R1437,
 R1448, R1500, R1501, R1512, R1513,
 R1524, R1525, R1536, R1537, R1548
 14 1.6KS 1.6K 70200082 1.6K---1/8W--5%---SMT 1206
 R110, R121, R210, R221, R310, R321,
 R410, R421, R510, R521, R610, R621,
 R907, R929
 20 100KS 100K 70200034 100K---1/8W--5%---SM
 R109, R129, R134, R209, R229, R234,
 R309, R329, R334, R409, R429, R434,
 R529, R534, R629, R634, R638, R640,
 R905, R928
 15 100PFS 100PF 70300044 100PF COG 50V 5% SMT 1206
 C101, C105, C107, C201, C205, C207,
 C301, C305, C307, C401, C405, C407,
 C501, C601, C917
 31 100S 100 70200013 100---1/8w--5%---smt
 R122, R125, R126, R222, R225, R226,
 R322, R325, R326, R422, R425, R426,
 R522, R525, R526, R622, R625, R626,
 R641, R643, R912, R930, R1004, R1005,
 R1107, R1108, R1109, R1111, R1131,
 R1216, R1230
 1 100W1 100W1 70210003 100---1W---5%---MO--T&R
 R1242
 63 10KS 10K 70200028 10K--1/8W--5%---SMT
 R119, R123, R124, R219, R223, R224,
 R319, R323, R324, R419, R423, R424,
 R519, R523, R524, R535, R538, R539,
 R540, R619, R623, R624, R635, R637,
 R649, R650, R651, R652, R906, R909,
 R910, R911, R924, R931, R934, R1000,

R1101, R1102, R1104, R1105, R1106,
 R1124, R1129, R1200, R1210, R1215,
 R1232, R1237, R1240, R1241, R1243,
 R1408, R1410, R1423, R1428, R1444,
 R1445, R1508, R1510, R1523, R1528,
 R1544, R1545
 4 10S 10 70200011 10---1/8w--5%---smt
 R1217, R1219, R1238, R1239
 24 13.7KP1S 13.7KP1 70200106 13.7K 1/8W--1%---SMT 1206
 R114, R116, R136, R137, R214, R216,
 R236, R237, R314, R316, R336, R337,
 R414, R416, R436, R437, R514, R516,
 R536, R537, R614, R616, R647, R648
 9 15MSOW 70901837 70901837 SPACER, 15mm-r(#4) .187 swage alum.
 SO14, SO15, SO16, SO17, SO18, SO19,
 SO20, SO21, SO22
 12 1740 1740 70401740 2SC1740SLN 40V,.1A, NPN, LOW NOISE T&A
 Q100, Q101, Q200, Q201, Q300, Q301,
 Q400, Q401, Q500, Q501, Q600, Q601
 12 180PFS 180PF 70300054 180PF---SURFACE MNT--1206 PACK
 C106, C129, C206, C229, C306, C329,
 C406, C429, C506, C529, C606, C629
 2 18KS 18K 70200030 18K--1/8W--5%---SMT
 R902, R925
 25 1KS 1K 70200019 1k---1/8w--5%---smt
 R103, R203, R303, R403, R503, R603,
 R1130, R1406, R1409, R1418, R1422,
 R1430, R1434, R1441, R1446, R1452,
 R1506, R1509, R1518, R1522, R1530,
 R1534, R1541, R1546, R1552
 1 1N4148 4148 70464148 1N4148 75V 10MA SILICON DIODE
 CR1200
 4 1R50 1R50 70320261 1MF 20% 50 VDC EL T&A
 C1401, C1432, C1501, C1532
 12 2.15KP1S 2.15KP1 70200078 2.15k-1/8W--1%---smt
 R100, R101, R200, R201, R300, R301,
 R400, R401, R500, R501, R600, R601
 20 2.2KS 2.2K 70200021 2.2K---1/8W--5%---smt

