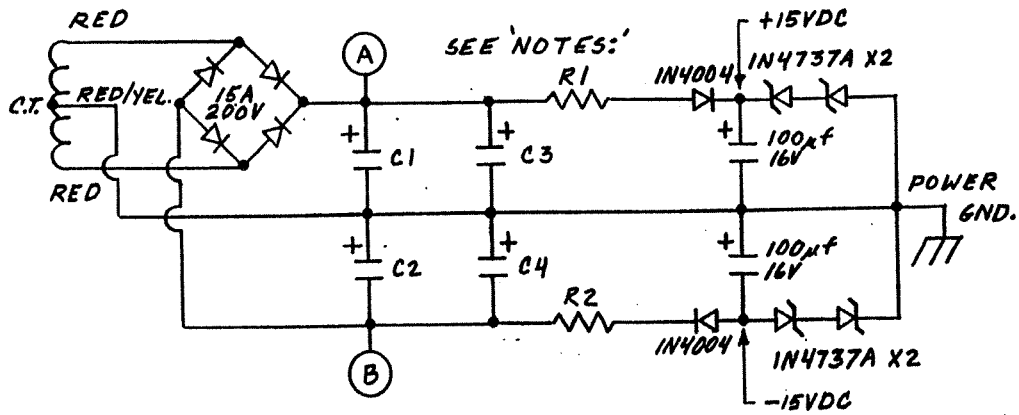
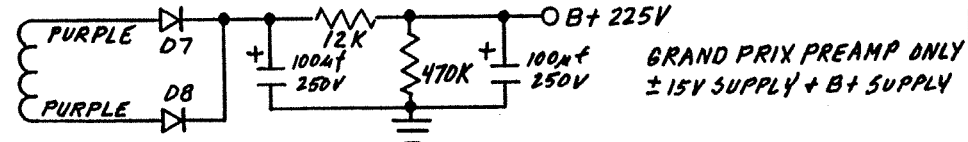
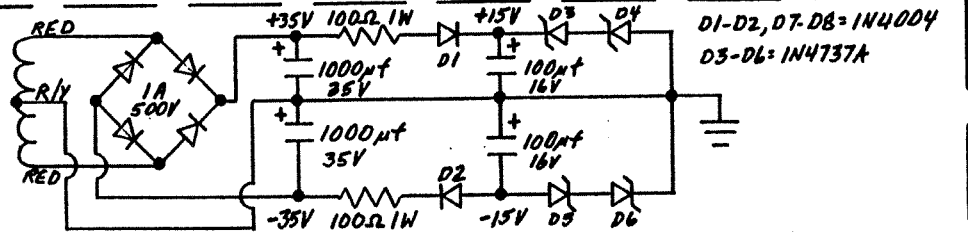
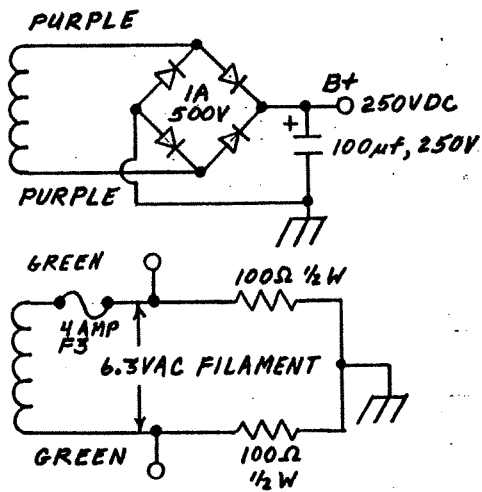


NOTE: NOT ON SM-400 OR G.T.P.



POWER SUPPLY CIRCUIT  
TRANSFORMER SECONDARY WIRING  
REF.:

- STUDIO 220 PCB#170001
- SM-400 PCB#170003, 170004
- BABY/ELECTRIC BLUE PCB#170008
- STEREO 800/SM-900 #170011
- BASSIC BLACK PCB#170013



NOTES:

- POINT 'A' = +DCV, POINT 'B' = -DCV
- G.T. PREAMP = ±35V
- STUDIO 220, SM-400, REDHEAD, BABY/ELECTRIC BLUE = ±60V
- STEREO 800, SM-900 = ±75V

2. C1 THRU C4 VALUES

- G.T. PREAMP C1, C2 = 1000uF, 35V
- STUDIO 220, BABY/ELECTRIC BLUE C1, C2 = 470uF, 63V C3, C4 = N/A
- SM-400, REDHEAD C1-C4 = 470uF, 63V
- STEREO 800, SM-900 C1-C4 = 680uF, 80V
- BASSIC BLACK C1, C2 = 470uF 63V

3. R1 AND R2 VALUES

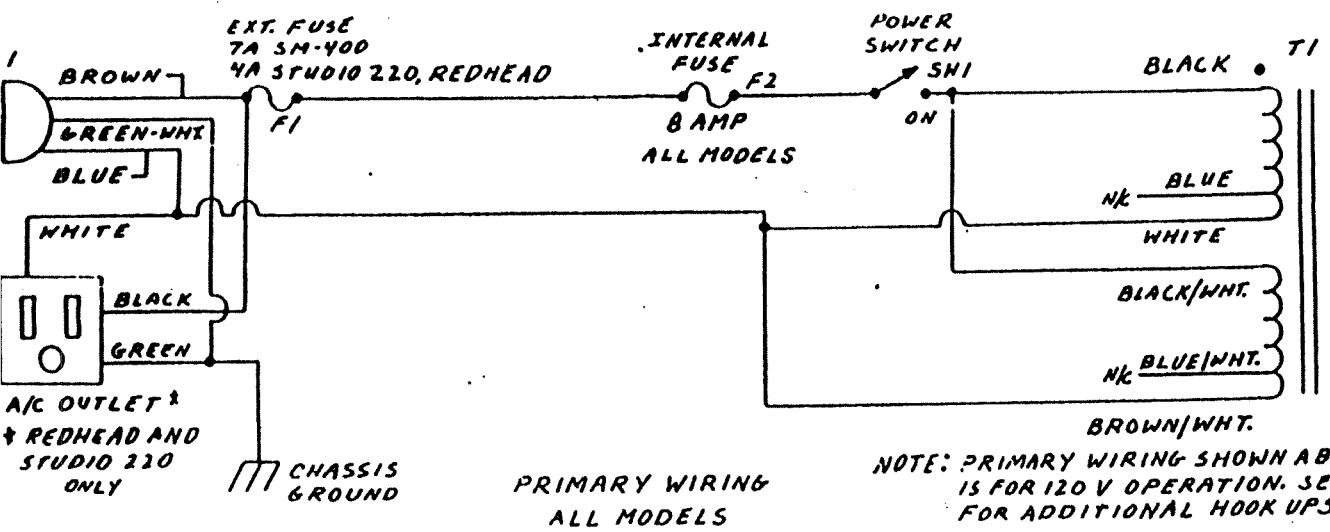
- G.T. PREAMP = 100ohm, 1W
- STUDIO 220, SM-400 = 660ohm, 3W
- REDHEAD, BABY/ELECTRIC BLUE, BASSIC BLACK = 820ohm, 3W
- STEREO 800 = 1.1K, 5W
- SM-900 = 550ohm, 10W

SWR ENGINEERING, INC.  
12823 Foothill Blvd. Unit F  
SYLMAR, CALIFORNIA 91342

**SCHEMATIC**

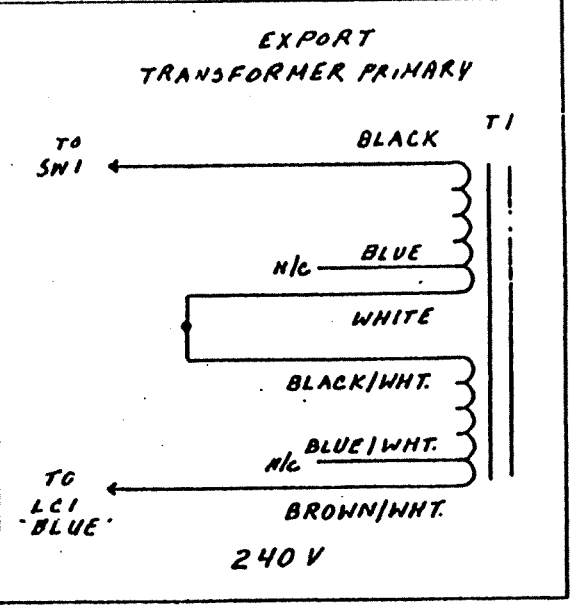
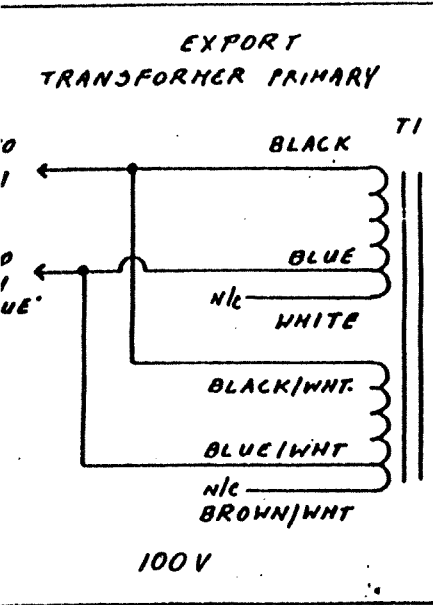
- SECONDARY WIRING
- PREAMP/POWER CLIP CIRC.
- ALL MODELS

REV. C NO. 1002  
DRAWN: S.W. RABE FEB. 6, 1991



NOTE: PRIMARY WIRING SHOWN ABOVE IS FOR 120 V OPERATION. SEE BELOW FOR ADDITIONAL HOOK UPS.

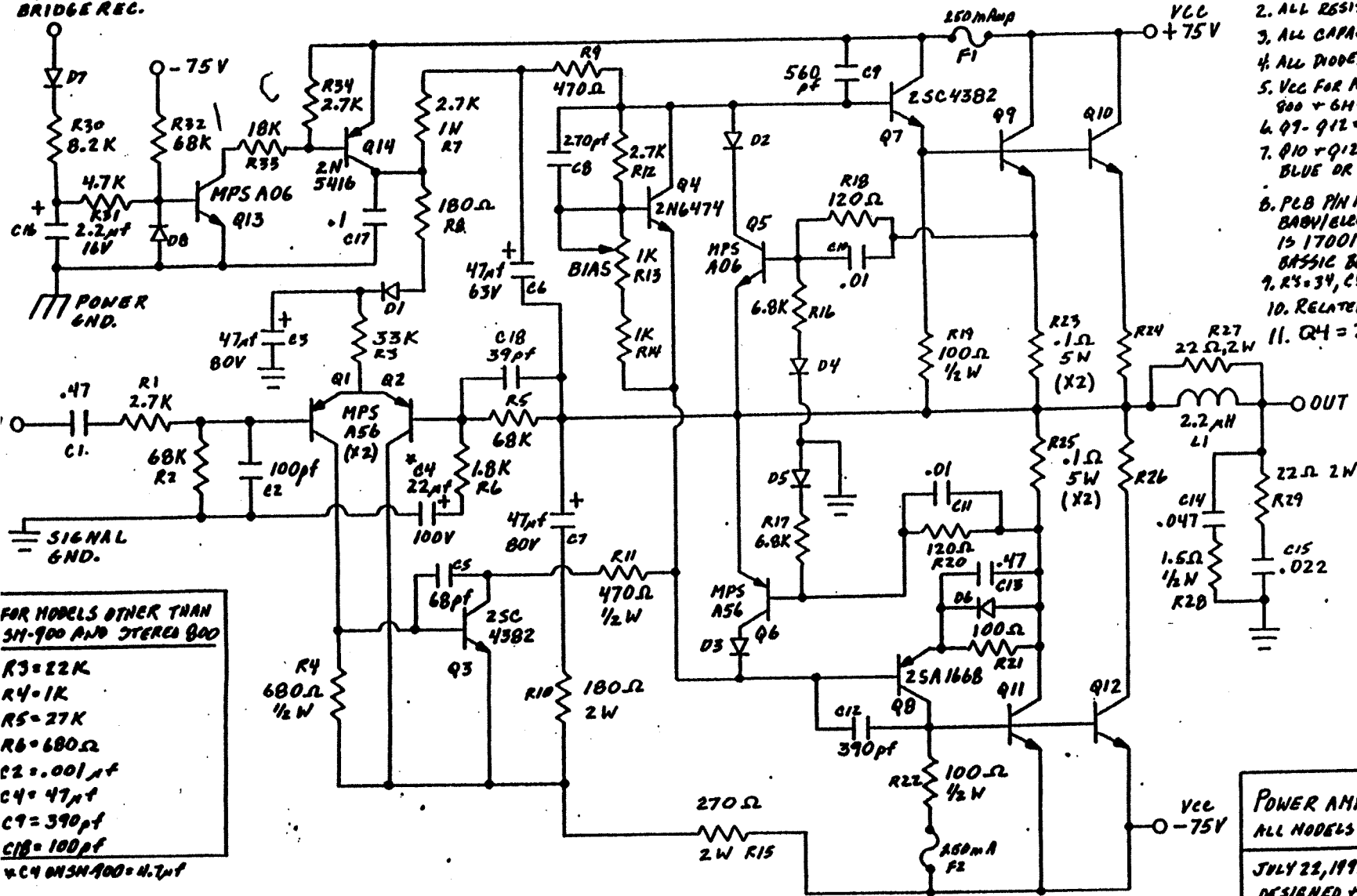
- NOTES:
1. 'N/C' = NO CONNECTION
  2. 'WHT' = WHITE
  3. F1 FUSES ARE 3AG, 5LO-BLO
  4. F2 FUSES ARE 3AG, FAST BLO, PIGTAIL.
  5. ALL PRIMARY WIRE UL TYPE 1015 OR 1007, 18 GA.
  6. PIN FOR STUDIO 220 TRANSFORMER = 560001A. 3M-400/REDHEAD = PIN 560003A. BABY/ELECTRIC BLUE = 560005 GRAND PRIX PREAMP = 560006



SWR ENGINEERING, INC.  
12823 Foothill Blvd., Unit F  
SYLMAR, CA 91342

SCHEMATIC  
PRIMARY WIRING  
DOMESTIC + EXPORT  
ALL MODELS  
FEB. 22, 1990 DHM S.N.R.  
NO. 1001 REV. C

A/C TERMINAL  
BRIDGE REC.



FOR MODELS OTHER THAN  
SM-900 AND STEREO 800

R3=22K  
R4=1K  
R5=27K  
R6=680Ω  
C2=.001μf  
C4=47nf  
C9=390pf  
C18=100pf  
\*C4 ON SM-900=4.7nf

- NOTES: UNLESS OTHERWISE SPECIFIED.
1. SEE TABLE FOR ALTERNATE R+C VALUES FOR OTHER MODELS. VALUES SHOWN ARE FOR STEREO 800, SM-900.
  2. ALL RESISTORS IN OHMS, 4W, 5%.
  3. ALL CAPACITORS IN MICRO-FARAD.
  4. ALL DIODES IN 4004.
  5. VCC FOR MODELS OTHER THAN STEREO 800 + SM-900 = ± 60VDC
  6. Q9-Q12 = 2SC3264 (BANKER ONLY)
  7. Q10+Q12 NOT ON BABY/ELECTRIC BLUE OR BASSIC BLACK
  8. PCB PIN FOR ALL MODELS EXCEPT BABY/ELECTRIC BLUE + BASSIC BLACK IS 170010. BABY BLUE - 170013. BASSIC BLACK - 170013.
  9. R5=34, C3=18, D3=8, Q4=14, L1, F1=2
  10. RELATED DML'S 1002, 1003
  11. Q4 = 2SC3834 after 1/25/98

POWER AMP SCHEMATIC 1011  
ALL MODELS BUILT AFTER JUNE, 1992

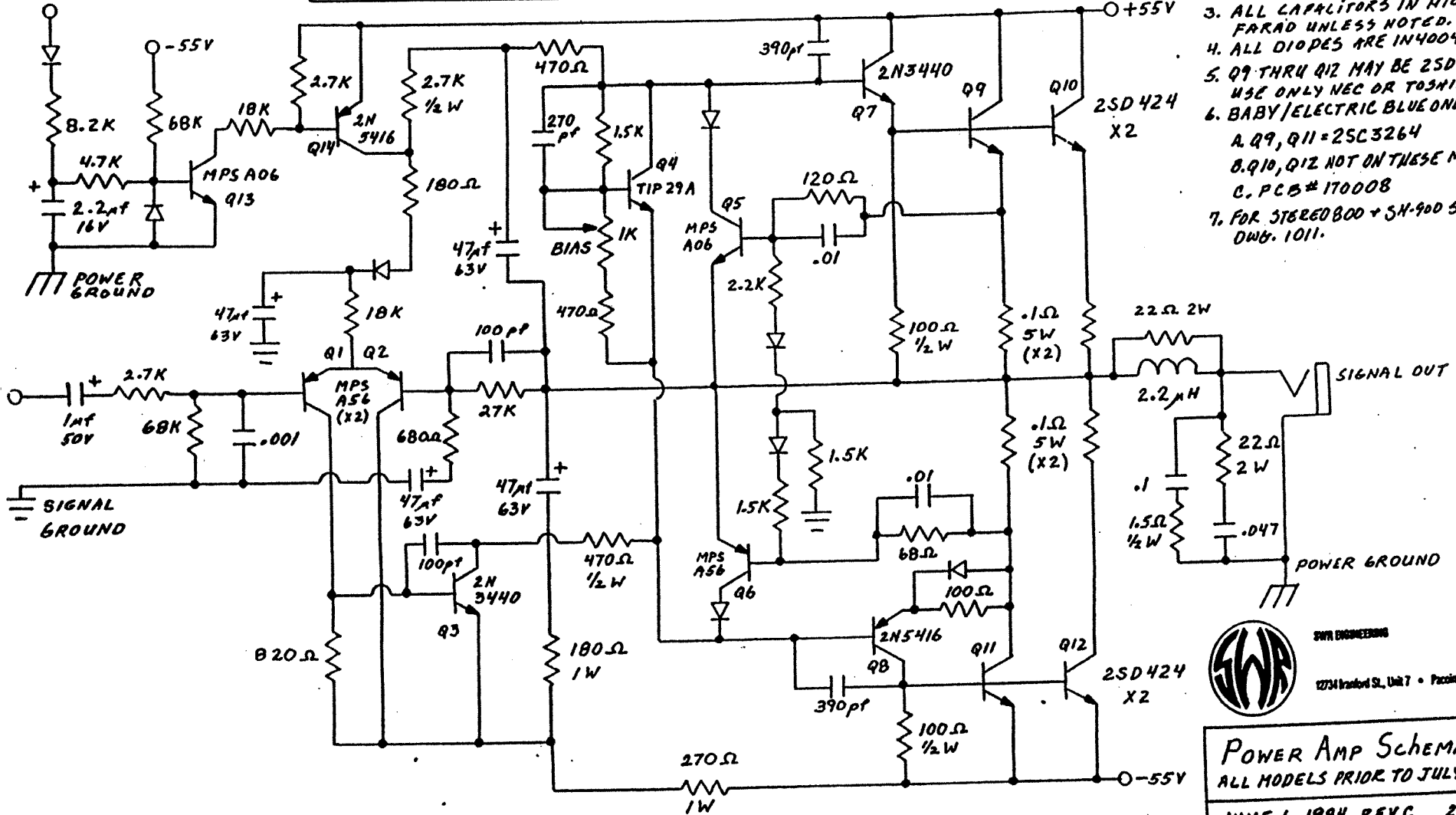
JULY 22, 1992  
DESIGNED + OWN. BY: S.H. RABE  
SWR ENG., INC. 818-874-3355

**NOTE:** FOR FOLLOWING MODELS AND SERIAL #S, USE DRAWING #1011  
 STUDIO 220 - S/N 2539 AND GREATER.  
 SM-400 - S/N 5105 " " "  
 REDHEADS - S/N 2403 " " "

**NOTES:**

1. D.C. VOLTAGES FOR REDHEAD ARE 10% HIGHER.
2. ALL RESISTORS 1/4 WATT UNLESS NOTED.
3. ALL CAPACITORS IN MICRO-FARAD UNLESS NOTED.
4. ALL DIODES ARE IN4004.
5. Q9 THRU Q12 MAY BE 2SD555. USE ONLY NEC OR TOSHIBA.
6. BABY/ELECTRIC BLUE ONLY:  
 A. Q9, Q11 = 2SC3264  
 B. Q10, Q12 NOT ON THESE MODELS  
 C. PCB # 170008
7. FOR STEREO800 + SM-900 SEE DWG. 1011.

A/C TERMINAL BRIDGE REC.



S.W.R. ENGINEERING  
 12734 Bradford St., Unit 7 • Pacoima, CA 91331

**Power Amp Schematic**  
 ALL MODELS PRIOR TO JULY, 1992  
 JUNE 6, 1984 REV.C 2-5-91.  
 DESIGNED + DRAWN - S.W. RABE  
 PCB # 170002 A NO. 1003