

BASSMAN 200

p/n 022-4504-000 (120V)

SERVICE MANUAL



CONTENTS:

Notices

Specifications

Service notes

Parts lists:

 PCB assy - Preamp

 PCB assy - Pwr amp

 PCB assy - Rear

 Chassis assembly

 Cabinet assembly

 End item

 Crossover assembly

Schematics/drawings

BASSMAN 200
(This is the model name for warranty claims)

SERVICE MANUAL

SEPTEMBER 2000

IMPORTANT NOTICE:

The information contained herein is CONFIDENTIAL and PROPRIETARY to Fender Musical Instruments Corp. It is disclosed solely for use by qualified technicians for purposes of equipment maintenance and service. It is not to be disclosed to others without the expressed permission of Fender Musical Instruments Co. All specifications subject to change without notice.

For warranty repair service, only Fender specified part numbers are to be used. It is recommended they also be used for post-warranty maintenance and repair.

Parts marked with an asterisk (*) indicate the required use of that specific part. This is necessary for RELIABILITY and SAFETY requirements. **DO NOT USE A SUBSTITUTE!**

A coded naming convention is used in the description of certain parts. The codes and what they mean are as follows:

CAPACITOR CODES

CAP AE = Aluminum Electrolytic
CAP CA = Ceramic Axial
CAP CD = Ceramic Disk
CAP MPF = Metalized Polyester Film
CAP MY = Mylar
CAP PFF = Polyester Film/Foil

RESISTOR CODES

RES CC = Carbon Comp
RES CF = Carbon Film
RES FP = Flame Proof
RES MF = Metal Film
RES WW = Wire Wound

HARDWARE CODES

BLX = Black Oxide
CR = Chrome Plated
HWH = Hex Washer Head
M = Machine Screw
NI = Nickel Plated
OHP = Oval Head Phillips
PB = Particle Board
PHP = Pan Head Phillips
PHPS = Pan Head Phillips Sems
SMA = Sheet Metal "A" Point
SMB = Sheet Metal "B" Point
SS = Stainless Steel
TF = Thread Forming
ZI = Zinc Plated

BASSMAN 200

SPECIFICATIONS

Product Release No.: PR 419 *(This is not a model number)*

Part Number:

120V Version :	22-4504
240V Aus :	22-4534
230V UK :	22-4544
230V Eur :	22-4564
100V Jpn :	22-4574

Power Requirements: 540W

Power Amp Section:
Power Output: 200 Watts RMS into 4Ω @ <1% THD
Sensitivity: 1V RMS

Preamp Section:

Input impedance:	Passive: 1MΩ	Active: 1MΩ
Sensitivity At Full Power:	Passive: 20mV	Active: 40mV
Nominal Level:	Passive: 150mV	Active: 300mV

Tone Controls:

Bass:	±15 dB @ 50 Hz
Treble:	±15 dB @ 5 kHz

Semi-parametric control:	Mid frequency:	150Hz to 1.5kHz
	Mid level:	±15 dB @ Mid frequency setting

Effects Loop:

Send impedance:	1kΩ
Return impedance:	22kΩ
Nominal level:	+4dbu

Speakers: Fender special design 4Ω 15" woofer (P/N 0048941000)
One Foster 8Ω Horn (P/N 0048847000), FUSE: 2A 250V

Dimensions:

Height: 25.5"	(65 cm)
Width: 23"	(59 cm)
Depth: 13"	(33 cm)

Weight: 65 lbs. (30 kg)

BASSMAN 200

SERVICE NOTES

1. **CHASSIS REMOVAL** is accomplished by first removing six (6) screws from the top, and one (1) screw from each side of the cabinet; then slide the chassis out the rear.
2. The **HF HORN** is fuse-protected. This fuse is located on the rear speaker panel, near the Horn-level control

PARTS LIST

NOTE: SHADED ITEMS ARE FOR REFERENCE ONLY

PRINTED CIRCUIT BOARD ASSEMBLY - PREAMP

QTY	PART #	DESCRIPTION	REFERENCE DESIGNATION
4	0048451000	BUTTON PUSH OFF WHITE	@ S1-4
2	0026517001	CAP AE AX 2.2uF 50V 20%	C40 C70
9	0025960001	CAP AE AX 22uF 16V 20%	C5 C13 C20 C25-27 C30-31 C33
2	0038691001	CAP AE AX 4.7uF 50V 20%	C2 C6
1	0038693001	CAP AE AX 47uF 16V 20%	C64
2	0038703001	CAP CA .1uF 50V 10%	C38 C41
1	0038699001	CAP CA 100pF 100V 5%	C39
3	0039261001	CAP CA 330pF 100V 5%	C11 C37 C72
5	0042001001	CAP CA 33pF 100V 5%	C8 C19 C21 C32 C71
1	0039256001	CAP CA 68pF 100V 5%	C22
16	0034788003	CAP CD .1uF 50V 20% .15" cut	C44-45 C52-63 C65-66
2	0051405003	CAP CD 120pF 500V 5%	C28-29
1	0051960003	CAP CD 180pF 500V 10%	C1
1	0027256003	CAP MPF .0015uF 100V 10%	C10
1	0027257003	CAP MPF .0022uF 100V 10%	C23
1	0027259003	CAP MPF .0033uF 100V 10%	C17
2	0027260003	CAP MPF .0039uF 100V 10%	C36 C67
1	0027261003	CAP MPF .0047uF 100V 10%	C18
3	0027262003	CAP MPF .0068uF 100V 10%	C12 C68-69
1	0027265003	CAP MPF .015uF 100V 10%	C9
1	0027264003	CAP MPF .01uF 100V 10%	C15
1	0027270003	CAP MPF .033uF 100V 10%	C16
2	0027278003	CAP MPF .1uF 63V 10%	C3-4
1	0027281003	CAP MPF .22uF 63V 10%	C24
2	0027283003	CAP MPF .33uF 63V 10%	C34-35
3	0027286003	CAP MPF .47uF 63V 10%	C14 C47 C49
2	0033578003	CAP PFF RDL .001uF 100V 10%	C42 C51
1	0033581003	CAP PFF RDL .0033uF 100V 10%	C50
1	0030942003	CAP PFF RDL .0056uF 50V 5%	C7
3	0033592003	CAP PFF RDL .047uF 100V 10%	C43 C46 C48
1	0031089000	CONTROL 100K 10C	R36 mid-freq
6	0027945000	CONTROL SNAPIN 100K B TAPER	R14 R27-29 R72 R123 gain bass mid-eq treble master-volume room-balance

BASSMAN 200
PRINTED CIRCUIT BOARD ASSEMBLY – PREAMP (cont)

QTY	PART #	DESCRIPTION	REFERENCE DESIGNATION
1	0027947000	CONTROL SNAPIN 100K 30C TAPER	R56 compressor
26	0006260001	DIODE 1N4448 SIGNAL	D1-9 D11-17 D19-20 D22-27 D29 D32
1	0027327001	DIODE ZEN 1n5234b 6.2v 5% LL	D10
1	0031635001	DIODE ZEN 1n5240b 10v 5%	D30
2	0027413000	HDR .1 CTR 6 CKT SQ PIN	P1-2
1	0027416000	HDR .1 CTR 8 CKT SQ PIN	P3
1	0027404000	IC CA3080AE OTA	U8
7	0016795000	IC DUAL OP AMP TL072	U1-5 U7 U14
6	0031611000	IC DUAL OPAMP PC4560	U6 U9-13
1	0053450000	JACK STEREO R/A	J1 input
1	0030755000	LED GREEN T-1 3mm DIFFUSED	D31
1	0040271000	LED RED/YELLOW	D18
2	0049948000	LED, RED LONG LEAD LUMEX	D21 D28
1	0055798000	PCB FAB BASSMAN 200 PREAMP	
3	0025073001	RES CF 1/4W 1.5M 5%	R55 R108 R110
1	0024952001	RES CF 1/4W 100 ohm 5%	R45
4	0024997001	RES CF 1/4W 100k 5%	R13 R32-33 R99
22	0024981001	RES CF 1/4W 10k 5%	R5-6 R16 R37-39 R44 R47-49 R62-65
1	0025084001	RES CF 1/4W 10M 5%	R87
4	0024937001	RES CF 1/4W 10ohm 5%	R1-2 R119-120
1	0028549001	RES CF 1/4W 110k 5%	R77
1	0024998001	RES CF 1/4W 120k 5%	R93
1	0024983001	RES CF 1/4W 12k 5%	R84
1	0024985001	RES CF 1/4W 15k 5%	R15
1	0024986001	RES CF 1/4W 18k 5%	R17
3	0024965001	RES CF 1/4W 1k 5%	R78 R96 R112
3	0025069001	RES CF 1/4W 1M 5%	R25 R53 R101
2	0024971001	RES CF 1/4W 2.2k 5%	R92 R94
1	0025075001	RES CF 1/4W 2.2M 5%	R90
2	0029006001	RES CF 1/4W 20k 5%	R46 R50
2	0025059001	RES CF 1/4W 220k 5%	R104-105
9	0024987001	RES CF 1/4W 22k 5%	R19 R66-69 R95 R100 R111 R122
2	0028863001	RES CF 1/4W 24k 5%	R129-130
6	0024988001	RES CF 1/4W 27k 5%	R18 R20 R85-86 R124 R126
1	0024973001	RES CF 1/4W 3.3k 5%	R3
3	0024989001	RES CF 1/4W 33k 5%	R42-43 R52
3	0025063001	RES CF 1/4W 390k 5%	R4 R7 R31
1	0024991001	RES CF 1/4W 39k 5%	R23
1	0029472001	RES CF 1/4W 4.3k 5%	R12
1	0024977001	RES CF 1/4W 4.7k 5%	R83
9	0024993001	RES CF 1/4W 47k 5%	R8-9 R11 R26 R41 R70-71 R88-89
2	0024947001	RES CF 1/4W 47ohm 5%	R81-82
2	0028990001	RES CF 1/4w 5% 51k LL	R73-74
1	0029607001	RES CF 1/4w 5% 620 ohm LL	R118
2	0026507001	RES CF 1/4w 5% 62k LL	R54 R107
3	0024978001	RES CF 1/4W 5.6k 5%	R30 R58 R61
2	0024962001	RES CF 1/4W 560 ohm 5%	R59-60
4	0024994001	RES CF 1/4W 56k 5%	R10 R21-22 R24
1	0028948001	RES CF 1/4W 6.2k 5%	R109
1	0024979001	RES CF 1/4W 6.8k 5%	R40
1	0024963001	RES CF 1/4W 680 ohm 5%	R106

BASSMAN 200
PRINTED CIRCUIT BOARD ASSEMBLY – PREAMP (cont)

QTY	PART #	DESCRIPTION	REFERENCE DESIGNATION
2	0024995001	RES CF 1/4w 68k 5%	R34-35
1	0024980001	RES CF 1/4W 8.2k 5%	R51
5	0024996001	RES CF 1/4W 82k 5%	R57 R75-76 R125 R127
5	0027348001	RES FILM 1W 3.3k 5% LL	R91 R97 R113 R117 R121
3	0036178000	SPACER LED .5x.1 BRN	@D21 D28 D31
4	0028091000	SWITCH PUSH SLFLK SHORT STROKE	S1-4 active/passive enhance mute limiter
2	0014689003	XSTR N-CH JFET J111 TO-92	Q1-2
3	0016739003	XSTR NPN 2N4401 TO-92	Q3-4 Q8
4	0016742003	XSTR PNP 2N4403 TO-92	Q5-7 Q9
REF	0055800000	SVC DIAG, CMB, BASSMAN 200 PREAMP	

PRINTED CIRCUIT BOARD ASSEMBLY – POWER AMP

QTY	PART #	DESCRIPTION	REFERENCE DESIGNATION
1	0048914000	CABLE RIBBON 8 CKT 7 in	PW3
2	0028494000	CAP AE RDL 1000uF 35V 20%	C5-6
1	0028474003	CAP AE RDL 100uF 25V 20%	C13
1	0028458003	CAP AE RDL 1uF 50V 20%	C14
2	0028031000	CAP AE RDL 3300uF 63V+100%-20%	C3-4
2	0028471003	CAP AE RDL 47uF 50V 20%	C11-12
2	0025787003	CAP AE RDL MINI 100uF 25V NP	C15-16
2	0038703001	CAP CA .1uF 50V 10%	C20-21
4	0034788003	CAP CD .1uF 50V 20% .15" cut	C7-10
2	0051406003	CAP CD 220pF 500V 10%	C18-19
1	0053860000	CAP MPF .1UF 275V 10%	C1
1	0052003003	CAP MPF .1UF 250V 10%	C2
2	0027278003	CAP MPF .1uF 63V 10%	C17 C22
8	0064089001	DIODE 1N4003	D5-8 D11-12 D31-32
16	0006260001	DIODE 1N4448 SIGNAL	D9-10 D13 D16-26 D29-30
4	0029045000	DIODE 6A 400v 6A4 LEAD FORMED	D1-4
2	0025821001	DIODE HV FDH-400 SWITCHING LL	D27-28
2	0031635001	DIODE ZEN 1n5240b 10v 5%	D14-15
18	0025802000	FSTN TAB MALE .250x.032 PCB MT	P1-18
2	0013112000	FUSE TD 20mmx5mm 250v 1A	F2-3
6	0051094003	FUSE CLIP PCB 5MM	at F1-3
2	0050849000	HEATSINK PCB LEVEL 576012U	at U1-2
1	0055801000	HEATSINK PLATE 200W AMPLIFIERS	
1	0013562000	IC REGULATOR +15v MC7815CT	U1
1	0013564000	IC REGULATOR -15V MC7915CT	U2
4	0038815000	INSULATOR SILICONE TO-3P	at Q16-19
1	0055791000	PCB FAB BASSMAN 200 POWER AMP	

BASSMAN 200
PRINTED CIRCUIT BOARD ASSEMBLY – POWER AMP (cont)

QTY	PART #	DESCRIPTION	REFERENCE DESIGNATION
2	0028842001	RES CF 1/4W 1.1k 5%	R23-24
1	0024981001	RES CF 1/4W 10k 5%	R3
1	0024986001	RES CF 1/4W 18k 5%	R2
2	0024965001	RES CF 1/4W 1k 5%	R6 R8
1	0024987001	RES CF 1/4W 22k 5%	R1
2	0024988001	RES CF 1/4W 27k 5%	R7 R9
1	0024945001	RES CF 1/4W 33ohm 5%	R17
1	0024977001	RES CF 1/4W 4.7k 5%	R5
4	0024961001	RES CF 1/4W 470ohm 5%	R12-15
1	0024993001	RES CF 1/4W 47k 5%	R4
2	0024947001	RES CF 1/4W 47ohm 5%	R10-11
2	0015718001	RES MF 1/4w 1% 1k LL	R22 R25
1	0016946001	RES MF 1/4w 1% 825 ohm LL	R18
1	0034781001	RES MF 1/4w 1% 2.10k	R16
1	0016934001	RES MF 1/4w 1% 100 ohm	R21
4	0055932001	RES MOX 2W .15ohm 5%	R26-29
2	0027628001	RES MOX 2W 47ohm 5%	R30-31
2	0051040001	RESFP 1/4 47 OHM 5%	R19-20
2	0097360000	NUT HEX 4-40 EX LOCK	@ U1-2
2	0039420000	SCRW M 4-40X3/8 PHP SS SEMS	@ U1-2
7	0027638000	SCRW TF 4-40x3/8 HWHS ZI .1"HD	@ Q9 Q14-19
5	0032908000	SCRW TF 6-32x3/8 PHP ZI	
1	0051418003	THERMAL SENSOR PTC 100 DEG C	RT2
1	0026411000	THERMISTOR 2.5 OHM 8A C30-19	RT1
7	0032937000	WSHR CONE	@ Q9 Q14-19
1	0016739003	XSTR NPN 2N4401 TO-92	Q12
2	0054418000	XSTR NPN 2SC3263	Q16-17
2	0028760000	XSTR NPN 2SC4793	Q9 Q14
1	0014867003	XSTR NPN MPSW42 (TO-92)	Q11
4	0025751003	XSTR NPN SILICON TO_92	Q3-5 Q8
1	0016742003	XSTR PNP 2N4403 TO-92	Q1 Q13
2	0054417000	XSTR PNP 2SA1294	Q18-19
1	0028759000	XSTR PNP 2SA1837 TOP-220	Q15
1	0014866003	XSTR PNP MPSW92 TO-226AE	Q10
3	0025752003	XSTR PNP SILICON TO_92	Q2 Q6-7
REF	0055792000	SVC DIAG, CMB, BASSMAN 200 POWER AMP	

PRINTED CIRCUIT BOARD ASSEMBLY – REAR

QTY	PART #	DESCRIPTION	REFERENCE DESIGNATION
2	0048451000	BUTTON PUSH OFF WHITE	at S1-2
2	0053856000	CABLE RIBBON 6 CKT 8"	PW1-2
8	0025960001	CAP AE AX 22uF 16V 20%	C16-17 C20-25
2	0049521000	CAP AE AX 47uF 50V 20%	C26-27
2	0042001001	CAP CA 33pF 100V 5%	C36-37
2	0051459003	CAP CD 560pF 500V 10%	C18-19

BASSMAN 200
PRINTED CIRCUIT BOARD ASSEMBLY – REAR (cont)

QTY	PART #	DESCRIPTION	REFERENCE DESIGNATION
1	0027941000	CONTROL SNAPIN 50K B TAPER	R55 D.I. Level
1	0006260001	DIODE 1N4448 SIGNAL	D25
1	0031611000	IC DUAL OPAMP PC4560	U1
1	0051658000	JACK MONO R/A	J3
2	0053450000	JACK STEREO R/A	J1-2
1	0054261000	JACK XLR MALE RT ANGLE	J4
1	0056475000	PCB FAB BASSMAN 200 REAR PCB	
6	0024997001	RES CF 1/4W 100k 5%	R43-44 R49-50 R54 R64
2	0024981001	RES CF 1/4W 10k 5%	R57-58
1	0024937001	RES CF 1/4W 10ohm 5%	R66
5	0024965001	RES CF 1/4W 1k 5%	R45-48 R65
3	0025059001	RES CF 1/4W 220k 5%	R51-53
2	0024973001	RES CF 1/4W 3.3k 5%	R56 R59
2	0028091000	SWITCH PUSH SLFLK SHORT STROKE	S1-2
1	0014689003	XSTR N-CH JFET J111 TO-92	Q21
REF	0056473000	SVC DIAG, COMB, BASSMAN 200 REAR	

CHASSIS ASSEMBLY

QTY	PART #	DESCRIPTION	REFERENCE DESIGNATION
1	0055788000	CHASSIS BASSMAN 200	
1	0054642000	CONNECTOR IEC SNAP IN	
1	0020795000	FUSE QA 20mmx5mm 250v 2.5A	
1	0020798000	FUSE QA 20mmx5mm 250v 5A	
1	0048974000	HEATSINK EXTRUDED SFX/ACST	
8	0055775000	KNOB 90 ROT w/ CHR INS BASSMAN	
1	0053986000	KNOB ROTARY SS W/CHR INSERT	@DI LEVEL CONTROL
1	0055789000	PANEL FRONT BASSMAN 200	
1	0055790000	PANEL REAR BASSMAN 200	
REF	0056544000	PANEL REAR BASSMAN 200 ROK	ROK UNITS ONLY
1	0055792000	PCB ASSY BASSMAN 200 POWER AMP	
1	0055799000	PCB ASSY BASSMAN 200 PREAMP	
1	0056474000	PCB ASSY BASSMAN 200 REAR PCB	
4	0053479000	NUT HEX 7/16 20X1/8 NI	@FRONT JACK
6	0017716000	SCRW 8-32x1/2 PHP BLX	@HS/CHASSIS
4	0031184000	SCRW M6-32x1/4 PHPS BLX ITLW	@pwr amp stdf
2	0051155000	SCRW SMB #4X3/8 PHP BLX	@XLR Jack
4	0037997000	SCRW TF 10-32x5/8 HWHS BLX	@XFMR
2	0038900000	SCRW TF 6-32X1/4 PHP ZI	@GND

**BASSMAN 200
CHASSIS ASSEMBLY (cont)**

QTY	PART #	DESCRIPTION	REFERENCE DESIGNATION
5	0027636000	SCRW TF 8-32x5/8 HWH BLX	@HS/PLATE
9	0051404000	STANDOFF NYLON BLK .375	
2	0016440000	STNDOFF RND AL 6-32x1x1/4	@Power amp PCB
4	0053480000	WASHER FLAT .442 X.692 NI	@FRONT JACK
1	0030007000	WSHR LCK INTL 8x.330x.02 ZI	@HS/CHASSIS SCR
REF	0040582000	SWITCH DPST .250 TAB GLOBAL	
1	0039236000	SWITCH ROCKER DPST PSEUDO-IEC	
1	0048960000	XFMR PWR 120V 200/300 WATT	DOMESTIC
REF	0041122000	XFMR PWR EXP SR63/83P/KXR/BXR2	100V/220V/240V
REF	0056845000	XFMR PWR 230V BASSMAN200 LVR	230V

CABINET ASSEMBLY

QTY	PART #	DESCRIPTION	REFERENCE DESIGNATION
REF	0040046000	CARPET BLACK	
2	0026568000	CORNER 3 HOLE NI	LOWER REAR
4	0029071000	CORNER NOTCHED NICKLE (FD)	
4	0051049000	FOOT RUBBER 1.5 DIA	
2	14151000	HANDLE HOUSING	
2	14150000	HANDLE-CABINET 6 CH	
4	23505000	MTG PLATE - SWIVEL CASTER	
12	0021972000	NUT T 10-32X3/4 STR 3 PRNG BLX	@SPEAKER/FEET
20	0016627000	SCREW SMA 8 X 3/4 OHP BLX	@HANDLE
14	0026571000	SCREW SMAB 8X5/8 THP NI	@CORNERS
4	26577000	SCRW M 10-32x1 PHP BLX	@FEET
16	0027199000	SCRW SMAB 10x3/4 PHP NI	@CASTER PLATES
REF	0027648000	TAPE ALUM 6" X 60 YD	
REF	0051343000	VINYL TOLEX 4227A	

END ITEM ASSEMBLY

QTY	PART #	DESCRIPTION	REFERENCE DESIGNATION
1	0055946000	CABINET ASSEMBLY BASSMAN 200	
4	0023513000	CASTER SWIVEL	
REF	0055786000	CHASSIS ASSY BASSMAN 200 100V JPN	
1	0055783000	CHASSIS ASSY BASSMAN 200 120V	
REF	0056543000	CHASSIS ASSY BASSMAN 200 220V ROK	
REF	0055784000	CHASSIS ASSY BASSMAN 200 230V EUR/UK	
REF	0055785000	CHASSIS ASSY BASSMAN 200 240V AUS	
REF	0053997000	CORD PWR W/IEC CONN 100V JPN	
REF	0047251000	CORD PWR W/IEC CONN 230V	

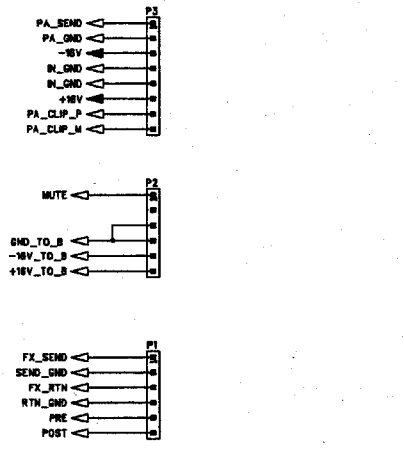
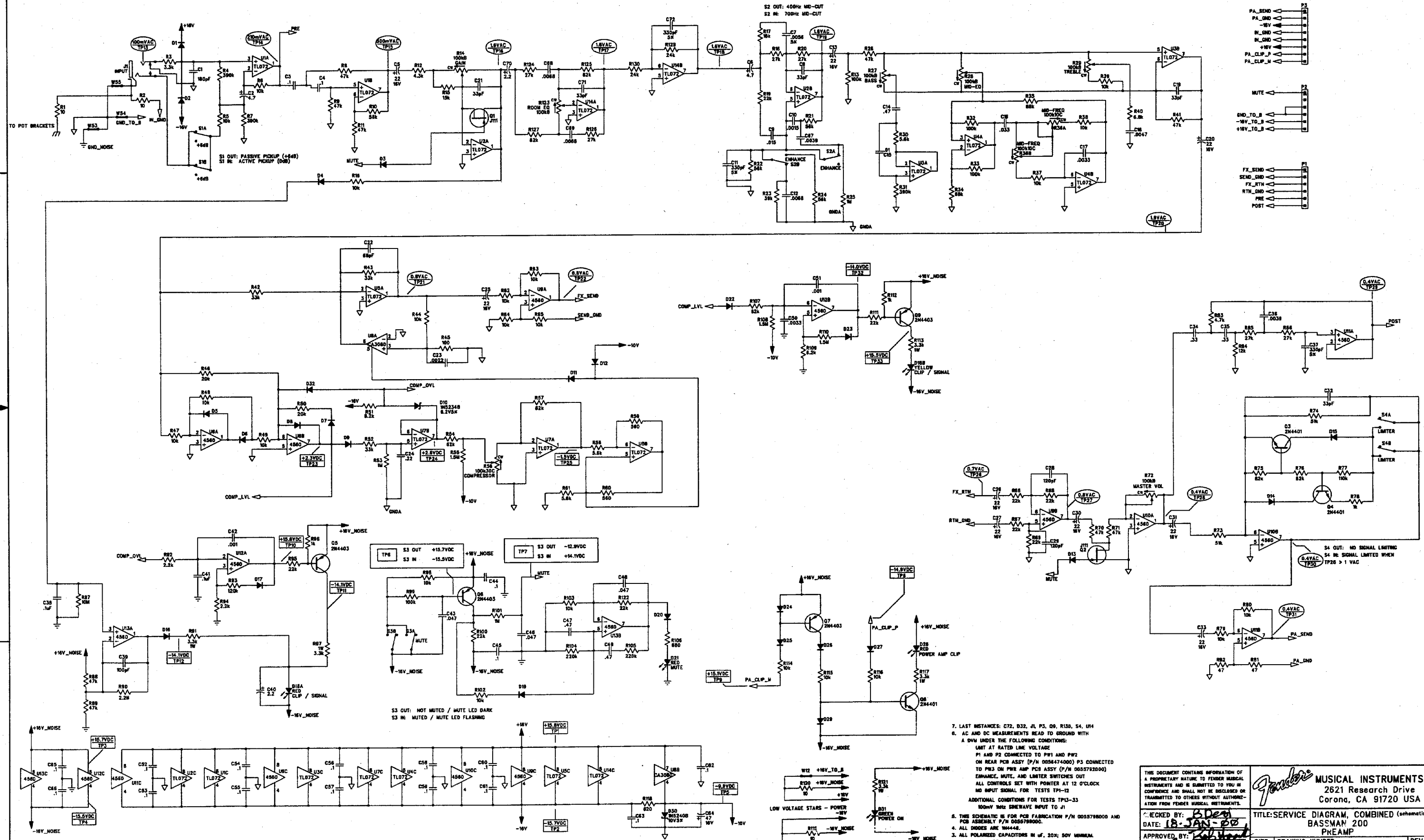
BASSMAN 200
END ITEM ASSEMBLY (cont)

QTY	PART #	DESCRIPTION	REFERENCE DESIGNATION
REF	0047249000	CORD PWR W/IEC CONN 230V UK	
REF	0047250000	CORD PWR W/IEC CONN 250V	
1	0047248000	CORD PWR W/IEC CONN DOM	
1	0055802000	CROSSOVER ASSY BASSMAN AMPS	
1	0055831000	GASKET HORN BASSMAN SERIES	
1	0055671000	GRILLE BASSMAN 100/200	
1	0048847000	HORN FOSTER 8 ohm	
1	0048941000	SPKR 15" 150W (099-4815-004)	
1	0055731000	LOGO BADGE BASSMAN AMPS	
1	0047600000	NAMEPLATE FNDR BLACK (994095)	
1	0022491000	CLAMP CABLE NYL SCRW MNT 5/16	
4	0050311000	NUT 2-56 NYLON INSERT 2CNME-Z	@LOGO
8	0026577000	SCRW M 10-32x1 PHP BLX	@SPEAKER
8	0036199000	SCRW M 8-32x1-3/16 OHP BLX CP	@CHASSIS
1	0029828000	SCRW PB 8x3/4 PHP ZI	@CLAMP
4	0050312000	SCRW 2-56X3/8 FHP NI	@LOGO
4	0030866000	SCRW SMA 8x1/2 PHP NI	@CROSSOVER
10	0036112000	SCRW SMAB 6x1-1/4 OHP BLX w/WS	@GRILLE
4	0033380000	SCRW SMAB 8x1 THP BLX	@HORN
1	0022327000	WSHR FLAT 8x7/16 NI	@CLAMP
8	0029527000	WSHR FNSH 8-5/8 FLNGD BLX WX	@CHASSIS
REF	0055800000	SVC DIAG COMB BASSMAN 200 PREAMP	
REF	0055793000	SVC DIAG COMB BASSMAN 200 PWR AMP	
REF	0056473000	SVC DIAG COMB BASSMAN 200 REAR PCB	

CROSSOVER ASSEMBLY

QTY	PART #	DESCRIPTION	REFERENCE DESIGNATION
2	0041304000	CAP MPF AX 3.3uF 100V 10%	C1-2
1	0051858000	INDUCTOR AIR CORE RDL 0.18mH	L1
1	0036703000	FUSE HOLDER 5mm FINGER GRIP	@F1
1	0020794000	FUSE QA 20mmx5mm 250V 2A	F1
1	0029531000	KNOB KNUURL BLK SUNN 1272/1275	@ L-PAD
1	0049348000	CONTROL L PAD 8 OHM 50W	

REVISIONS			
REV.	DESCRIPTION	DATE	APPROVED
A	PR419	17-JAN-00	R B H



- LAST INSTANCES: C72, D32, J1, P5, D9, R130, S4, U14
 - AC AND DC MEASUREMENTS READ TO GROUND WITH A 0VW UNDER THE FOLLOWING CONDITIONS:
LAMP AT RATED LINE VOLTAGE
P1 AND P2 CONNECTED TO PW1 AND PW2
OH REAR PCB ASSY (P/N 0056474000) P3 CONNECTED TO PW3 OH FWB AMP PCB ASSY (P/N 0055792000)
ENHANCE, MUTE, AND LMBTR SWITCHES OUT
ALL CONTROLS SET WITH POINTER AT 12 O'CLOCK
NO INPUT SIGNAL FOR TESTS TP1-12
ADDITIONAL CONDITIONS FOR TESTS TP13-33
100mV 10K SINEWAVE INPUT TO J1
 - THIS SCHEMATIC IS FOR PCB FABRICATION P/N 0055798000 AND PCB ASSEMBLY P/N 0055798000.
 - ALL DIODES ARE 1N4148.
 - ALL UNPOLARIZED CAPACITORS IN U1, 20K; 50V MINIMUM.
 - ALL UNPOLARIZED CAPACITORS IN U1, 10K OR BETTER; 50V MINIMUM (POWER SUPPLY BYPASS CAPACITORS ARE 20K).
 - ALL RESISTORS IN OHMS, 5% 1/4W.
- NOTES: (UNLESS OTHERWISE NOTED)

THIS DOCUMENT CONTAINS INFORMATION OF A PROPRIETARY NATURE TO FENDER MUSICAL INSTRUMENTS AND IS SUBMITTED TO YOU IN CONFIDENCE AND SHALL NOT BE DISCLOSED OR TRANSMITTED TO OTHERS WITHOUT AUTHORIZATION FROM FENDER MUSICAL INSTRUMENTS.

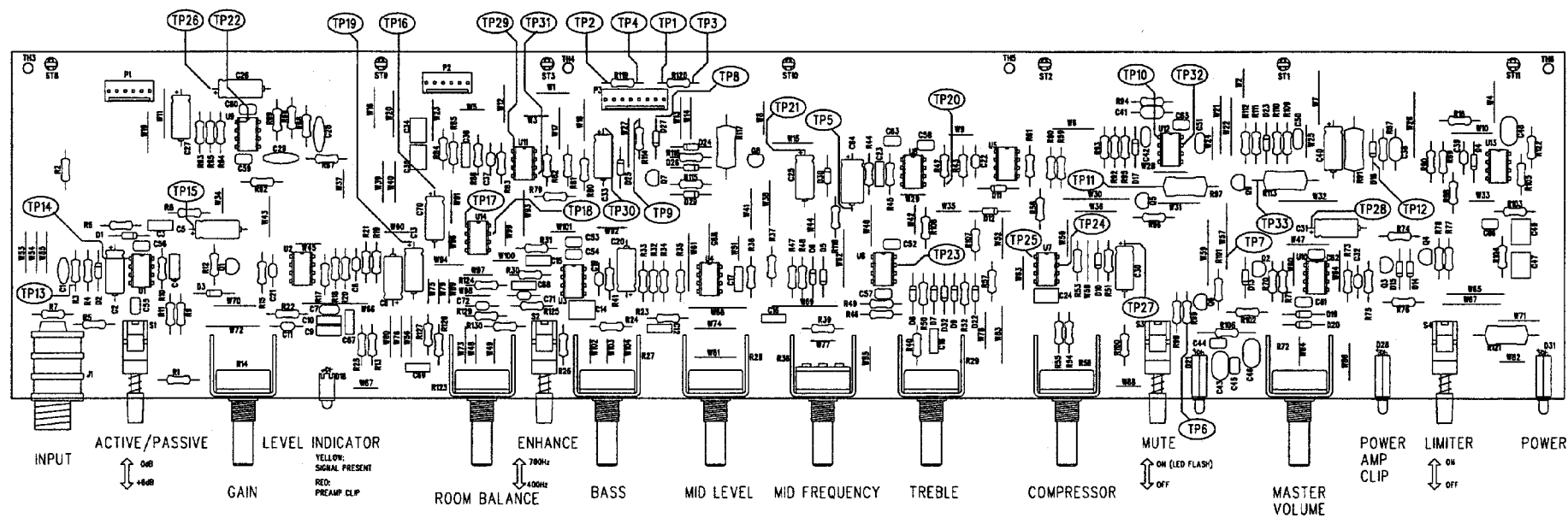
Fender MUSICAL INSTRUMENTS
2621 Research Drive
Corona, CA 91720 USA

CHECKED BY: *B. Dea*
DATE: 18-JAN-00
APPROVED BY: *R. Haack*
DATE: 18-JAN-00
DRAWN: R. HAACK/ENGR: R. HAACK
DATABASE FILE: 2419S1.SCH

TITLE: SERVICE DIAGRAM, COMBINED (schematic)
BASSMAN 200
PREAMP

SIZE: D
DRAWING NUMBER: 0055800000
RELEASE DATE: 17-JAN-00
SHEET: 1 OF 2

REVISIONS			
REV.	DESCRIPTION	DATE	APPROVED
A	PR419	17-JAN-00	R. B. H.

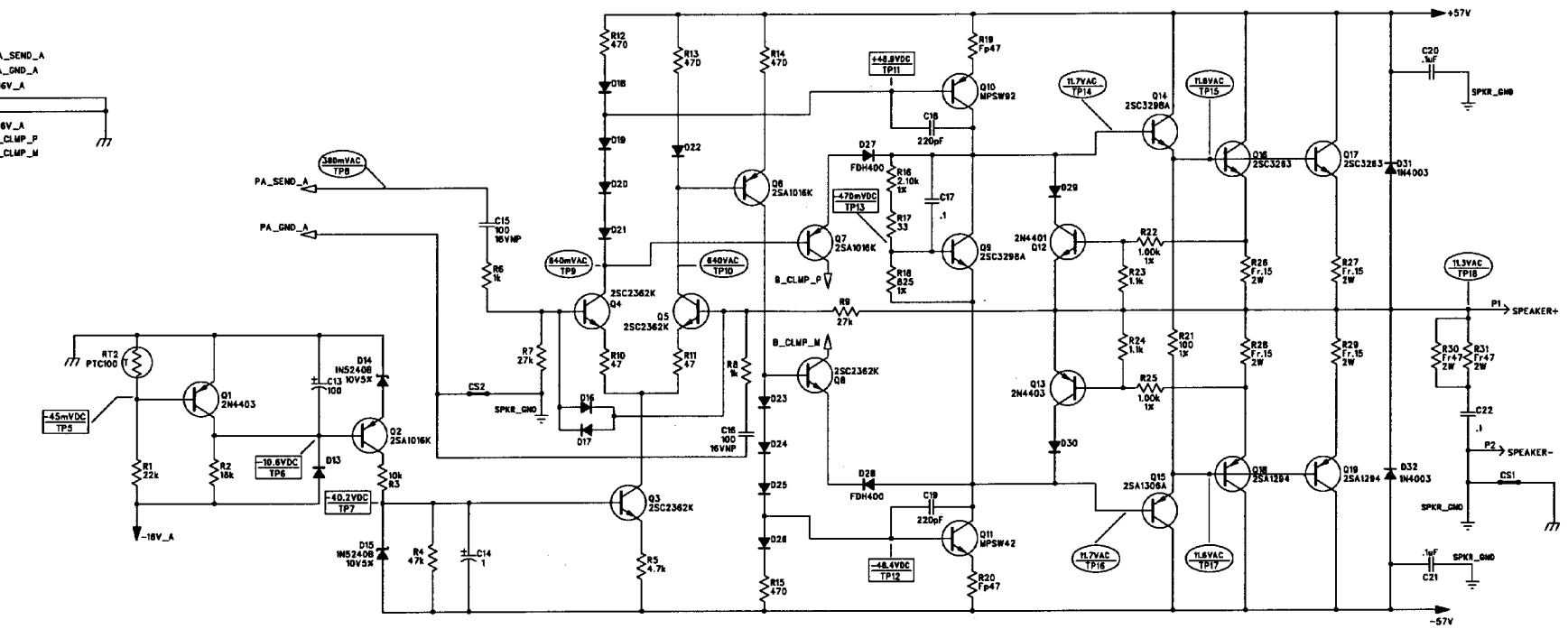
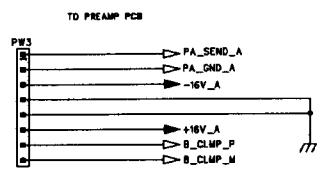


FILM/DOC: SERVICE DIAGRAM
 DATABASE: Z419PLPCB DATE: 17-JAN-00

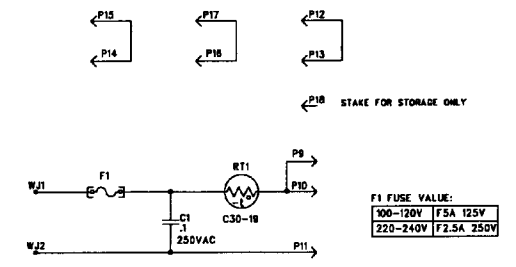
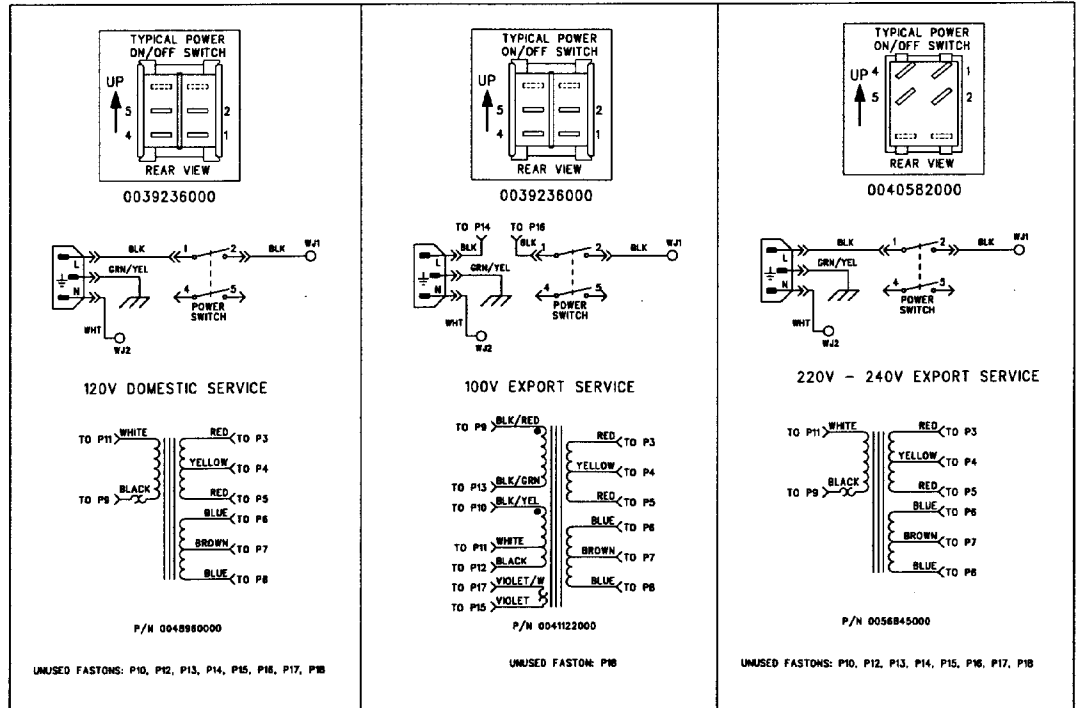
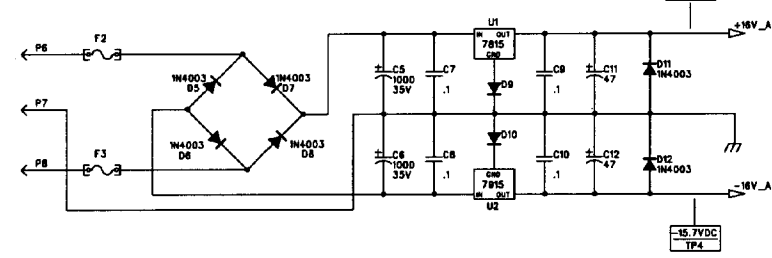
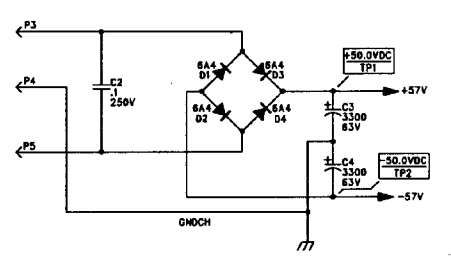
2. P1, P2, AND P3 CONNECT TO RIBBON CABLES FROM POWER AMP PCB ASSY (PW3) AND REAR PANEL PCB ASSEMBLY (PW1 AND PW2).
 1. SEE SHEET 1 FOR TEST CONDITIONS AND TEST POINT VALUES.
 NOTES: (UNLESS OTHERWISE NOTED)

<small>THIS DOCUMENT CONTAINS INFORMATION OF A PROPRIETARY NATURE TO FENDER MUSICAL INSTRUMENTS AND IS LOANED TO YOU IN CONFIDENCE AND SHALL NOT BE REPRODUCED OR TRANSMITTED TO OTHERS WITHOUT AUTHORIZATION FROM FENDER MUSICAL INSTRUMENTS.</small>		MUSICAL INSTRUMENTS 2621 Research Drive Corona, CA 91720 USA	
CHECKED BY: <i>B. Ryan</i> DATE: 18-JAN-00		TITLE: SERVICE DIAGRAM, COMBINED (PCB assy) BASSMAN 200 PREAMP	
APPROVED BY: <i>[Signature]</i> DATE: 18-JAN-00		SIZE: D	DRAWING NUMBER: 005580000
DRAWN: R. HAACK ENGINEER: R. HAACK DATABASE FILE: Z419PLPCB		RELEASE DATE: 17-JAN-00	REV. A SHEET 2 OF 2

REVISIONS			
REV.	DESCRIPTION	DATE	APPROVED
A	PR419	17-JAN-00	R B H
B	EC 2468	24-APR-00	R B H
C	EC 2522	9-AUG-00	R B H



OUTPUT POWER TEST:
 CONNECT A 1kHz SINEWAVE SIGNAL TO J1 (FRONT PANEL). SET MASTER VOLUME ON FRONT TO MAX (CW). WITH A 4 OHM LOAD CONNECTED TO P1/P2 AND UNIT AT RATED AC LINE INPUT, ADJUST INPUT SIGNAL TO VERIFY 200 WATTS AT $\pm 1.0\text{dB}$ T.H.D.



- LAST INSTANCES: C22, CS2, D32, F3, P18, PW3, Q18, R31, RT2, U2, WJ2
 - AC AND DC MEASUREMENTS READ TO GROUND WITH A DVW UNDER THE FOLLOWING CONDITIONS:
 UNIT IS POWERED AT RATED LINE VOLTAGE AND FREQUENCY
 4 OHM RESISTIVE LOAD CONNECTED ACROSS P1-P2
 NO INPUT SIGNAL FOR TEST POINTS TP1-7.
 ADDITIONAL CONDITIONS FOR TEST POINTS TP8-18:
 PREAMP PCB ASSY SHOULD BE SET UP PER ITS SERVICE DIAGRAM (P/N 005580000)
 INPUT 100mVAC RMS SINEWAVE INTO PREAMP PCB ASSY - J1 ("INPUT")
 NOTE: PW3 INTERCONNECTS TO P3 ON PREAMP PCB ASSY (P/N 005579000)
 - THIS SCHEMATIC IS FOR PCB FAB P/N 0055791000 AND PCB ASSY P/N 0055792000.
 - ALL DIODES 1N4448.
 - ALL POLARIZED CAPACITORS IN uF, 20% OR BETTER; 50V MINIMUM.
 - ALL UNPOLARIZED CAPACITORS IN uF, 10% OR BETTER; 50V MINIMUM. (POWER SUPPLY BYPASS CAPACITORS ARE 20%).
 - ALL RESISTORS IN OHMS, 5% 1/4W.
- NOTES: (UNLESS OTHERWISE NOTED)

THIS DOCUMENT CONTAINS INFORMATION OF A PROPRIETARY NATURE TO FENDER MUSICAL INSTRUMENTS AND IS SUBMITTED TO YOU IN CONFIDENCE AND SHALL NOT BE DISCLOSED OR TRANSMITTED TO OTHERS WITHOUT AUTHORIZATION FROM FENDER MUSICAL INSTRUMENTS.

Fender MUSICAL INSTRUMENTS
 Corona, CA U. S. A.

TITLE: SERVICE DIAGRAM, COMBINED (schematic)
 BASSMAN 200
 POWER AMP

CHECKED BY: *[Signature]*
 DATE: *01-10-00*

APPROVED BY: *[Signature]*
 DATE: *01-10-00*

DRAWN: R. HAACK | ENGR: R. HAACK

SIZE: **D** DRAWING NUMBER: **0055793000** REV. **C**

DATABASE FILE: Z419S2.SCH | RELEASE DATE: 17-JAN-00 | SHEET: 1 OF 2

8

7

6

5

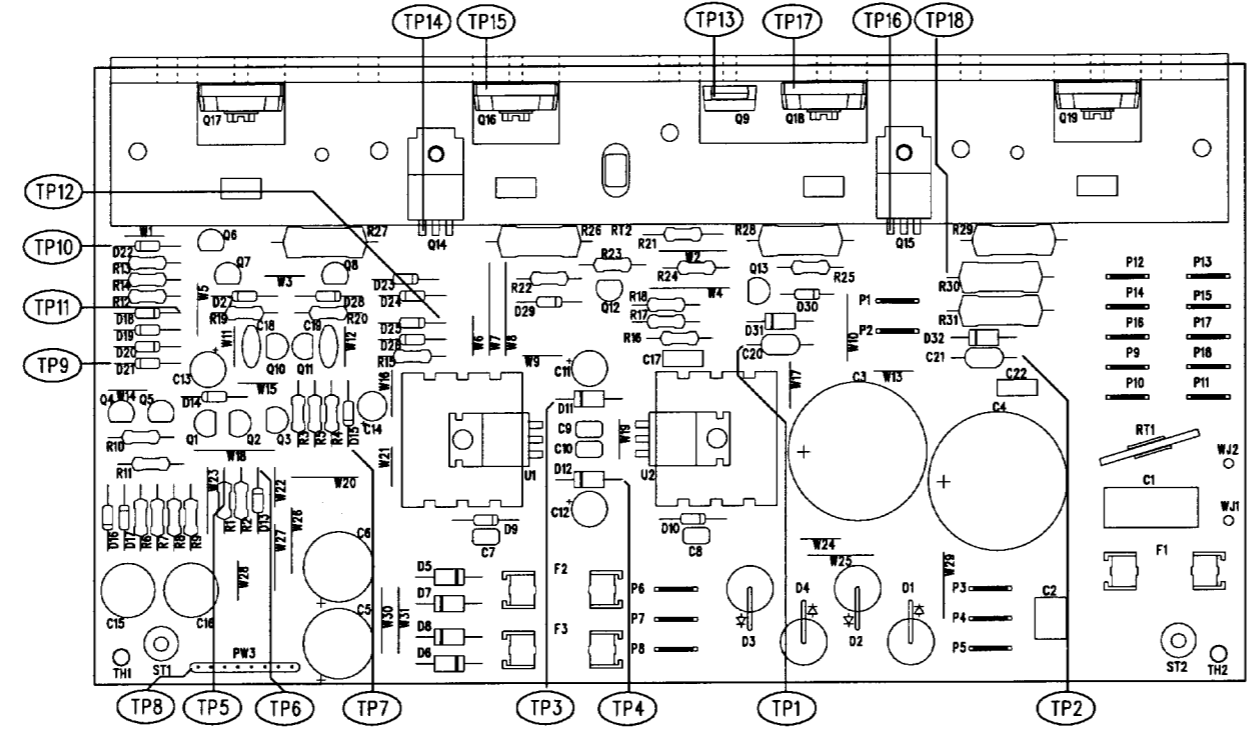
4

3

2

1


REVISIONS			
REV.	DESCRIPTION	DATE	APPROVED
A	PR419	17-JAN-00	R B H
B	EC2468	24-APR-00	R B H
C	EC2522	09-AUG-00	R B H



FILM/DWG: SERVICE DIAGRAM
 DATABASE: Z419P2.PCB DATE: 24-APR-00

- 2. RIBBON CABLE AT PW3 CONNECTS TO PREAMP PCB ASSY P3
- 1. SEE SHEET 1 FOR PRIMARY WIRING, TEST CONDITIONS, AND TEST POINT VALUES

NOTES: (UNLESS OTHERWISE NOTED)

THIS DOCUMENT CONTAINS INFORMATION OF A PROPRIETARY NATURE TO FENDER MUSICAL INSTRUMENTS AND IS SUBMITTED TO YOU IN CONFIDENCE AND SHALL NOT BE DISCLOSED OR TRANSMITTED TO OTHERS WITHOUT AUTHORIZATION FROM FENDER MUSICAL INSTRUMENTS.		 MUSICAL INSTRUMENTS Corona, CA U. S. A.	
CHECKED BY: <i>Blm</i> DATE: <i>09-AUG-00</i>		TITLE: SERVICE DIAGRAM, COMBINED (PCB assy) BASSMAN 200 POWER AMP	
APPROVED BY: <i>Rob Haack</i> DATE: <i>09-AUG-00</i>		SIZE: C	DRAWING NUMBER: 0055793000
DRAWN: R. HAACK	ENGR: R. HAACK	RELEASE DATE: 17-JAN-00	REV. C SHEET 2 OF 2
DATABASE FILE: Z419P2.PCB			

8

7

6

5

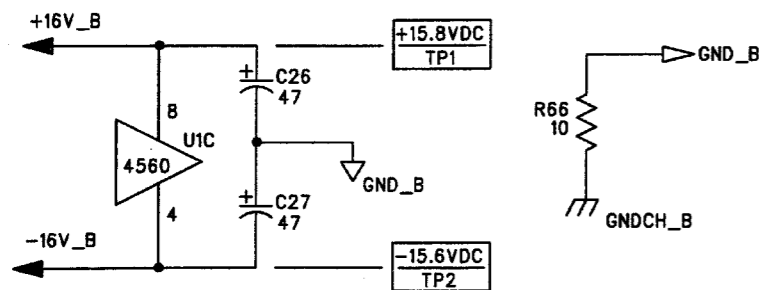
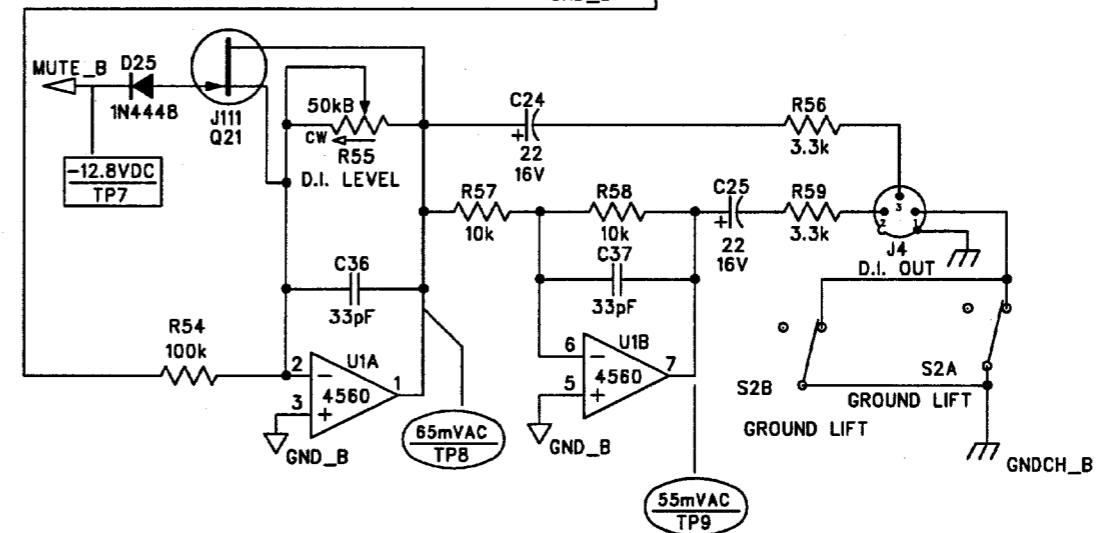
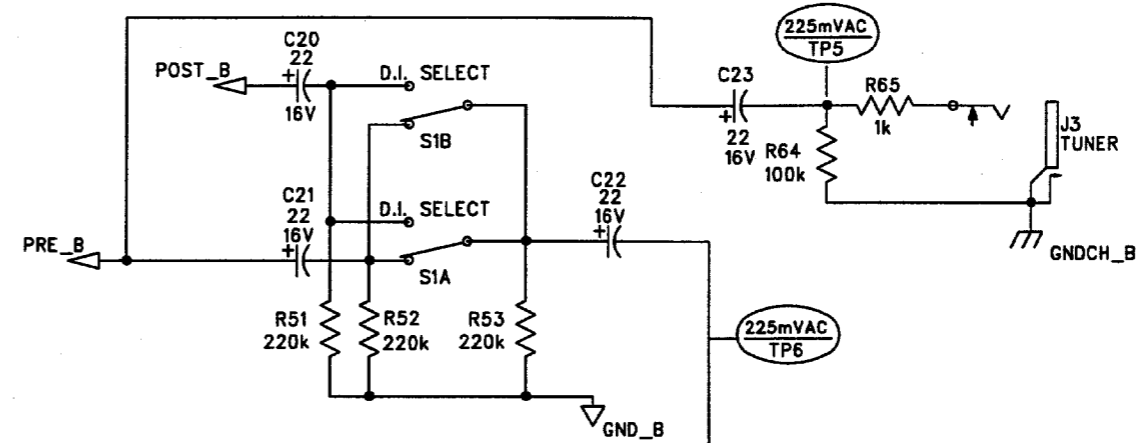
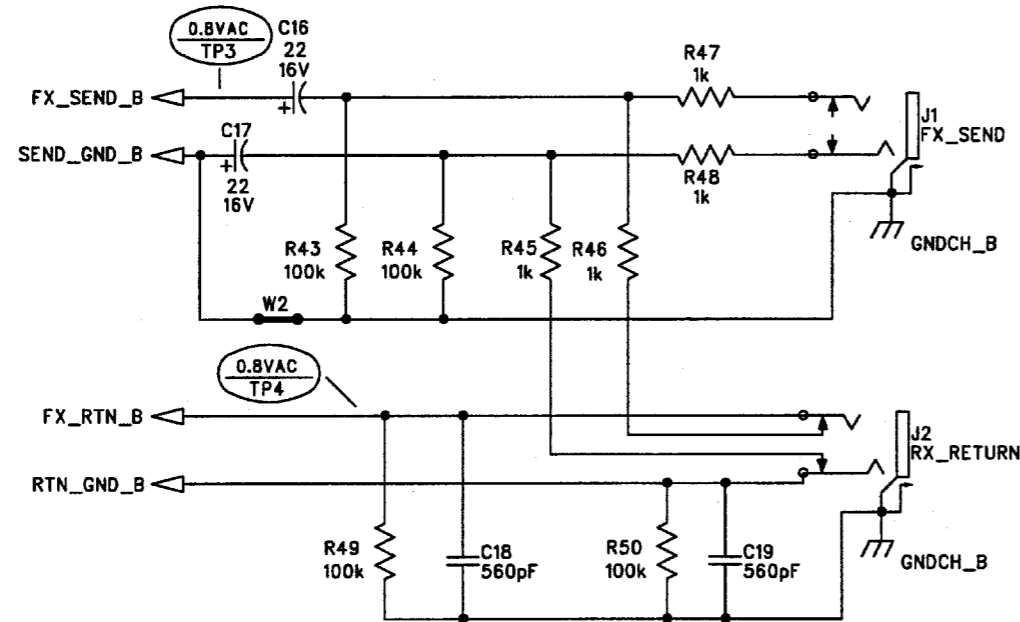
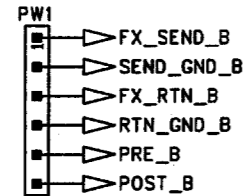
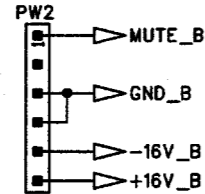
4

3

2

1

REVISIONS			
REV.	DESCRIPTION	DATE	APPROVED
A	PR419	17-JAN-00	R B H



7. LAST INSTANCES: C37, D25, J4, PW2, Q21, R66, S1, U1
6. AC AND DC MEASUREMENTS READ TO GROUND WITH A DVM UNDER THE FOLLOWING CONDITIONS:
UNIT IS POWERED AT RATED LINE VOLTAGE AND FREQUENCY
PREAMP PCB ASSY SHOULD BE SET UP PER ITS SERVICE DIAGRAM (P/N 0055800000)
R55 SET AT 50%
REAR PANEL SWITCHES OUT
5. PW1 AND PW2 CONNECT TO P1 AND P2 ON PREAMP PCB ASSY (P/N 0055799000)
4. THIS SCHEMATIC IS FOR PCB FABRICATION P/N 0056475000 AND PCB ASSEMBLY P/N 0056474000.
3. ALL POLARIZED CAPACITORS IN μF , 20%; 50V MINIMUM.
2. ALL UNPOLARIZED CAPACITORS IN μF , 10% OR BETTER; 50V MINIMUM. (POWER SUPPLY BYPASS CAPACITORS ARE 20%).
1. ALL RESISTORS IN OHMS, 5%; 1/4W.

NOTES: (UNLESS OTHERWISE NOTED)

THIS DOCUMENT CONTAINS INFORMATION OF A PROPRIETARY NATURE TO FENDER MUSICAL INSTRUMENTS AND IS SUBMITTED TO YOU IN CONFIDENCE AND SHALL NOT BE DISCLOSED OR TRANSMITTED TO OTHERS WITHOUT AUTHORIZATION FROM FENDER MUSICAL INSTRUMENTS.		MUSICAL INSTRUMENTS 2621 Research Drive Corona, CA 91720 USA		
CHECKED BY: <u>B. Ken</u> DATE: <u>19 JAN 00</u>				TITLE: SERVICE DIAGRAM, COMBINED (schematic) BASSMAN 200 REAR PANEL PCB
APPROVED BY: <u>R. Haack</u> DATE: <u>19 JAN 00</u>		SIZE	DRAWING NUMBER	REV.
DRAWN: R. HAACK ENGR: R. HAACK		B	0056473000	A
DATABASE FILE: Z419S3.SCH		RELEASE DATE: 17-JAN-00	SHEET: 1 OF 2	

8

7

6

5



4

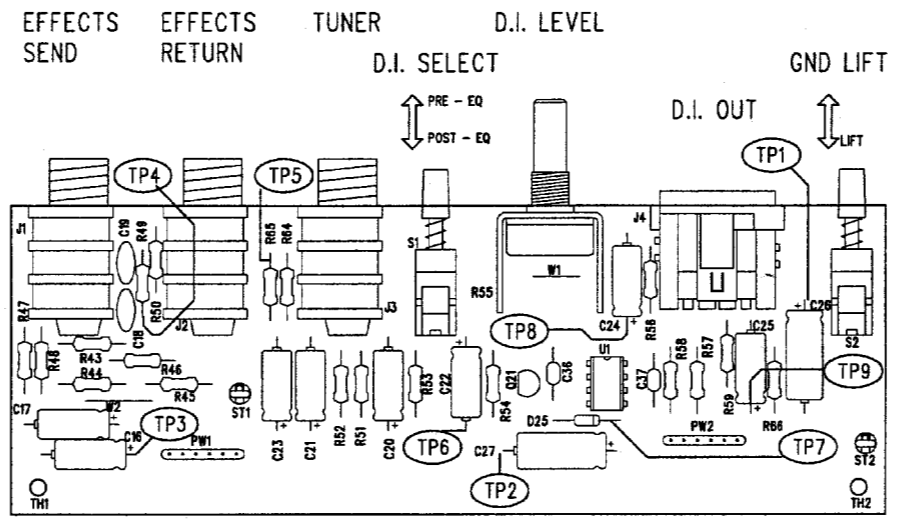
3

2

1

REVISIONS			
REV.	DESCRIPTION	DATE	APPROVED
A	PR419	17-JAN-00	R B H

D
C
B
A



FLM/DWG: SERVICE DIAGRAM
 DATABASE: Z419P3.PCB DATE: 17-JAN-00

- 2. RIBBON CABLES AT PW1 AND PW2 CONNECT TO PREAMP PCB ASSY (P1, P2 RESPECTIVELY)
- 1. SEE SHEET 1 FOR PRIMARY WIRING, TEST CONDITIONS, AND TEST POINT VALUES

NOTES: (UNLESS OTHERWISE NOTED)

THIS DOCUMENT CONTAINS INFORMATION OF A PROPRIETARY NATURE TO FENDER MUSICAL INSTRUMENTS AND IS SUBMITTED TO YOU IN CONFIDENCE AND SHALL NOT BE DISCLOSED OR TRANSMITTED TO OTHERS WITHOUT AUTHORIZATION FROM FENDER MUSICAL INSTRUMENTS.		MUSICAL INSTRUMENTS 2621 Research Drive Corona, CA 91720 USA	
CHECKED BY: <i>B. V. H.</i> DATE: 19-JAN-00		TITLE: SERVICE DIAGRAM, COMBINED (PCB assy) BASSMAN 200 REAR PCB	
APPROVED BY: <i>R. Haack</i> DATE: 19-JAN-00		SIZE: C	DRAWING NUMBER: 0056473000
DRAWN: R. HAACK ENGR: R. HAACK		RELEASE DATE: 17-JAN-00	REV. A
DATABASE FILE: Z419P3.PCB		SHEET 2 OF 2	

8

7

6

5



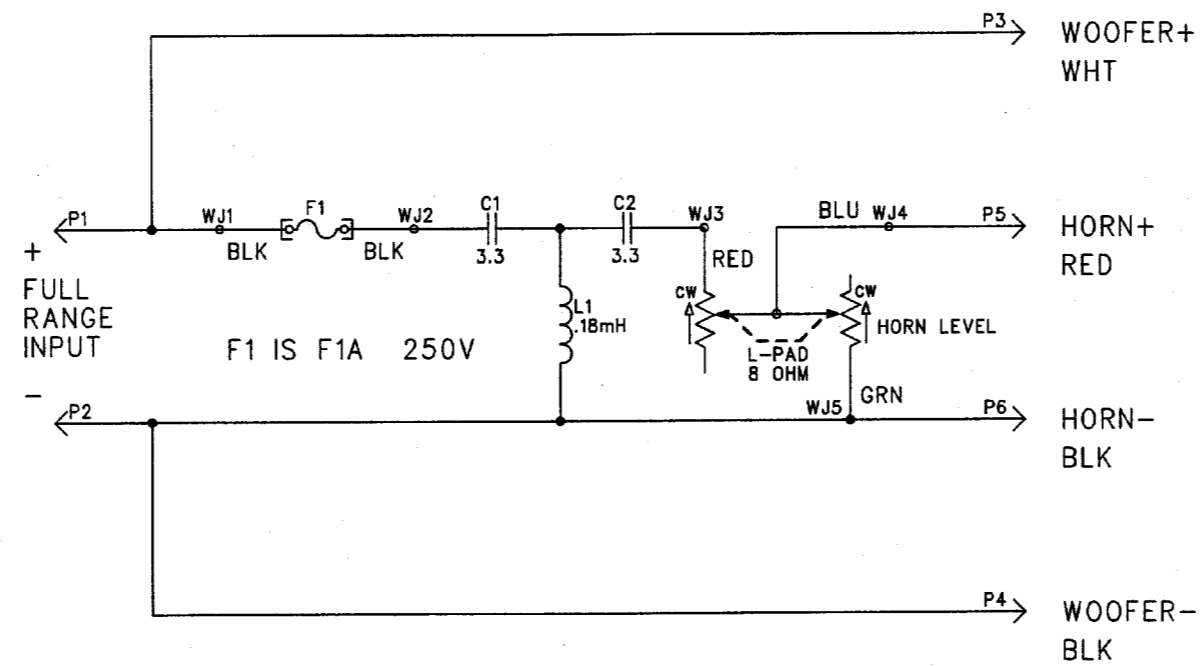
4

3


2

1

REVISIONS			
REV.	DESCRIPTION	DATE	APPROVED
A	PR412	23-AUG-99	dbl

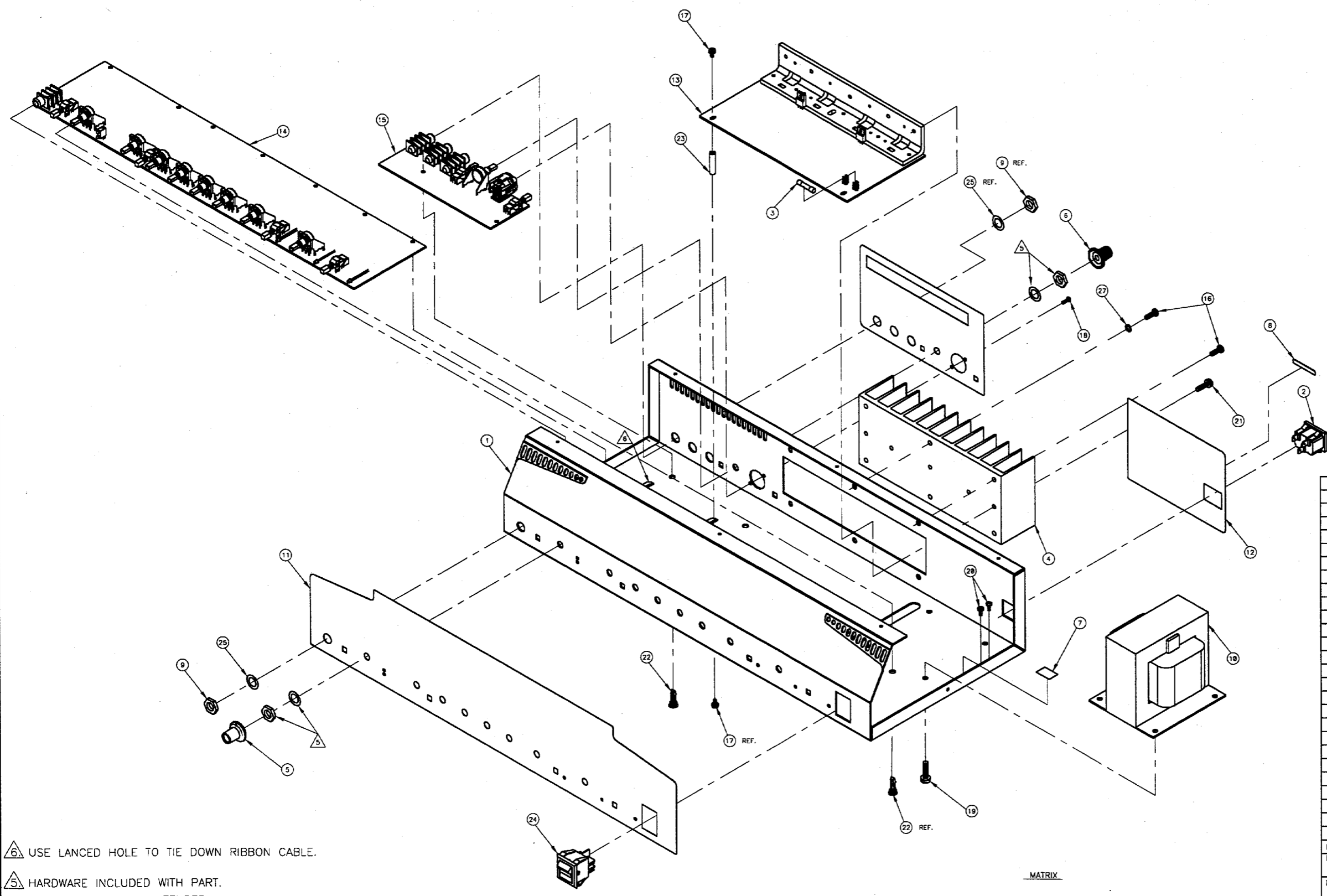


2. THIS SCHEMATIC IS FOR PCB FABRICATION P/N 0055804000 AND PCB ASSEMBLY P/N 0055803000.
 1. ALL UNPOLARIZED CAPACITORS IN μ F, 10% OR BETTER; 100V MINIMUM.
 NOTES: (UNLESS OTHERWISE NOTED)

THIS DOCUMENT CONTAINS INFORMATION OF A PROPRIETARY NATURE TO FENDER MUSICAL INSTRUMENTS AND IS SUBMITTED TO YOU IN CONFIDENCE AND SHALL NOT BE DISCLOSED OR TRANSMITTED TO OTHERS WITHOUT AUTHORIZATION FROM FENDER MUSICAL INSTRUMENTS.		 MUSICAL INSTRUMENTS 2621 Research Drive Corona, CA 91720 USA	
CHECKED BY: <u>blen</u>		TITLE: SERVICE DIAGRAM, COMBINED (schematic)	
DATE: <u>01-SEP-99</u>		BASSMAN AMPLIFIERS	
APPROVED BY: <u>dbl</u>		CROSSOVER	
DATE: <u>9/1/99</u>		SIZE	REV.
DRAWN: D. LEWIS		DRAWING NUMBER	A
ENGR: D. LEWIS			
DATABASE FILE: Z412S3.SCH		RELEASE DATE: 25-AUG-99	SHEET: 1 OF 1


THIS DOCUMENT CONTAINS INFORMATION OF A PROPRIETARY NATURE TO FENDER MUSICAL INSTRUMENTS AND IS SUBMITTED TO YOU IN CONFIDENCE AND SHALL NOT BE DISCLOSED OR TRANSMITTED TO OTHERS WITHOUT AUTHORIZATION FROM FENDER MUSICAL INSTRUMENTS CORP.

REV	EC NUMBER	BY	DATE/AMEND
A	PR 419	BW	1/21/2000
B	EC 2468 - CHG XFMR U.K./EUR FUSE FOR DOM.JPN	BW	4/19/2000
C	EC2522-CHG PNTS XFMR-AUST, R.O.K. WIRE SET	BW	8/1/2000



(N.S.) = NOT SHOWN

27	1	0030007000	WSHR LCK INTL 8x.330x.02 ZI
26	1	SEE MATRIX	WIRE SET CHASSIS BASSMAN 200 (N.S.)
25	4	0053480000	WASHER FLAT .442 X.692 NI
24	1	SEE MATRIX	SWITCH
23	2	0016440000	STNDOFF RND AL 6-32x1x1/4
22	9	0051404000	STANDOFF NYLON BLK .375
21	5	0027636000	SCRW TF 8-32x5/8 HWH BLX
20	2	0038900000	SCRW TF 6-32X1/4 PHP ZI
19	4	0037997000	SCRW TF 10-32x5/8 HWH BLX
18	2	0051155000	SCRW SMB #4X3/8 PHP BLX
17	4	0031184000	SCRW M6-32x1/4 PHPS BLX ITLW
16	6	0017716000	SCRW B-32x1/2 PHP BLX
15	1	0056474000	PCB ASSY BASSMAN 200 REAR PCB
14	1	0055799000	PCB ASSY BASSMAN 200 PREAMP
13	1	0055792000	PCB ASSY BASSMAN 200 POWER AMP
12	1	SEE MATRIX	PANEL REAR BASSMAN 200
11	1	0055789000	PANEL FRONT BASSMAN 200
10	1	SEE MATRIX	XFMR PWR
9	4	0053479000	NUT HEX 7/16 20X1/8 NI
8	1	SEE MATRIX	LABEL VOLTAGE
7	1	0013020000	LABEL GROUNDING SEMKO
6	1	0053986000	KNOB ROTARY SS W/CHR INSERT
5	8	0055775000	KNOB 90 ROT w/ CHR INS BASSMAN
4	1	0048974000	HEATSINK EXTRUDED SFX/ACST
3	1	SEE MATRIX	FUSE QA 20mmX5mm 250V
2	1	0054642000	CONNECTOR IEC SNAP IN
1	1	0055788000	CHASSIS BASSMAN 200

ITEM	QTY.	PART NO.	DESCRIPTION
ENGINEER HAACK			
DRAWN WIELOPOLSKA			
DATE 11/4/99			
 FENDER MUSICAL INSTRUMENTS CORP. CORONA, CALIFORNIA U.S.A.			
TITLE CHASSIS ASSEMBLY BASSMAN 200			
SHEET	SIZE	DRAWING NUMBER	REV.
1/1	D	0055783000	C
SCALE N/A		MASTER/ASSEMBLY	

△ USE LANCED HOLE TO TIE DOWN RIBBON CABLE.

△ HARDWARE INCLUDED WITH PART.

4. COPYRIGHT - 2000 - FENDER MUSICAL INSTRUMENTS CORP.
3. - 3 - SAMPLES OF FIRST PARTS MUST BE APPROVED BY FENDER R&D BEFORE STARTING PRODUCTION.
2. ALL DIMENSIONS ARE IN INCHES.
1. DO NOT SCALE DRAWING.

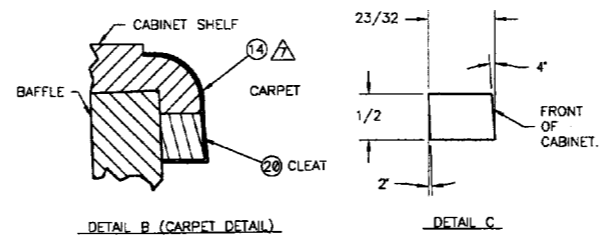
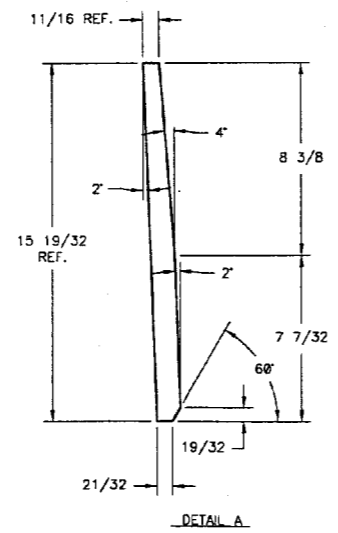
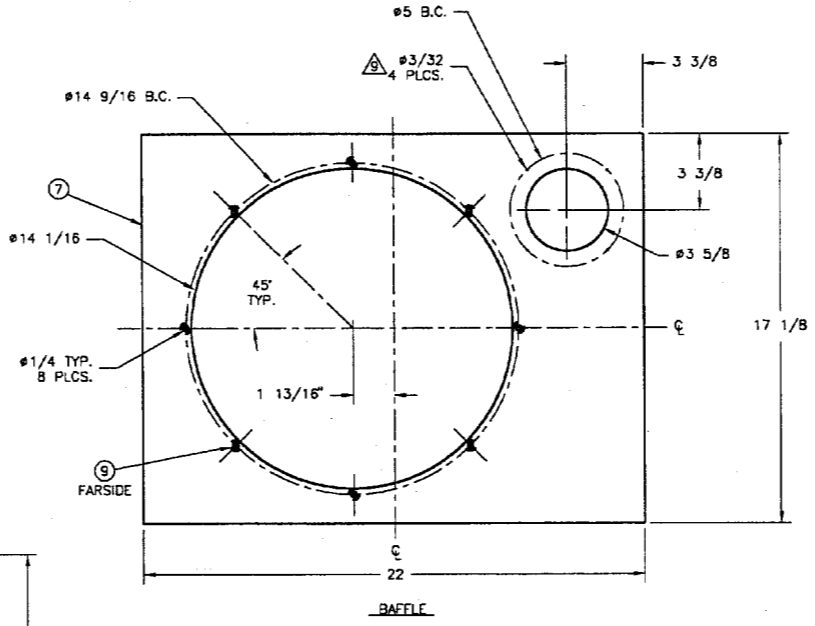
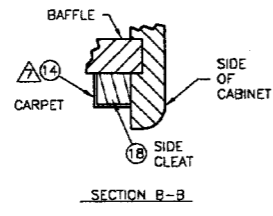
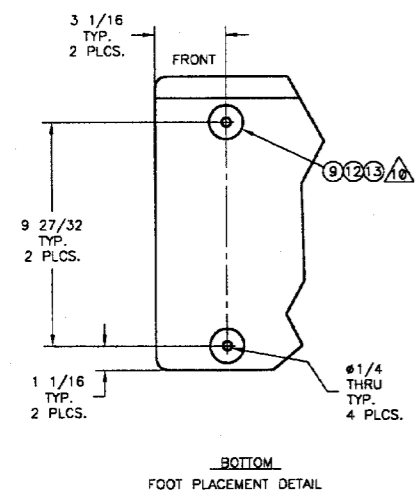
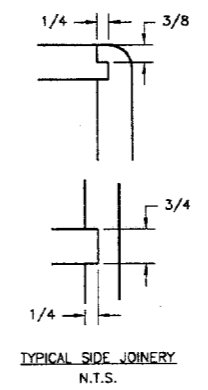
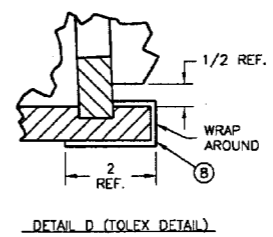
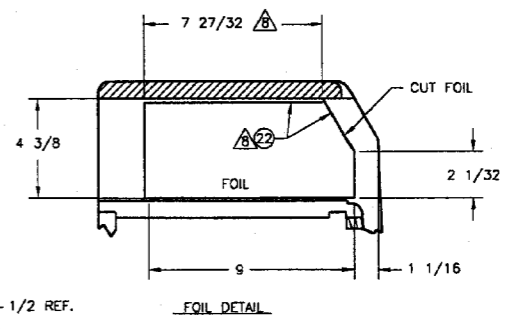
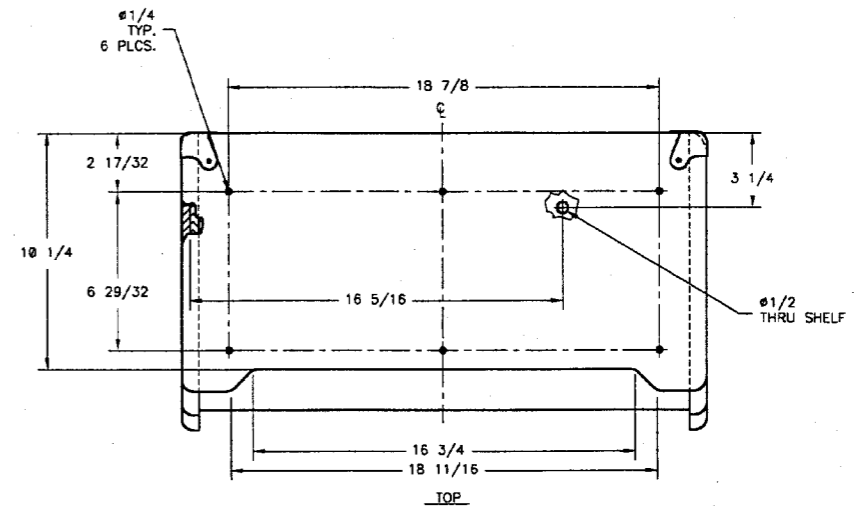
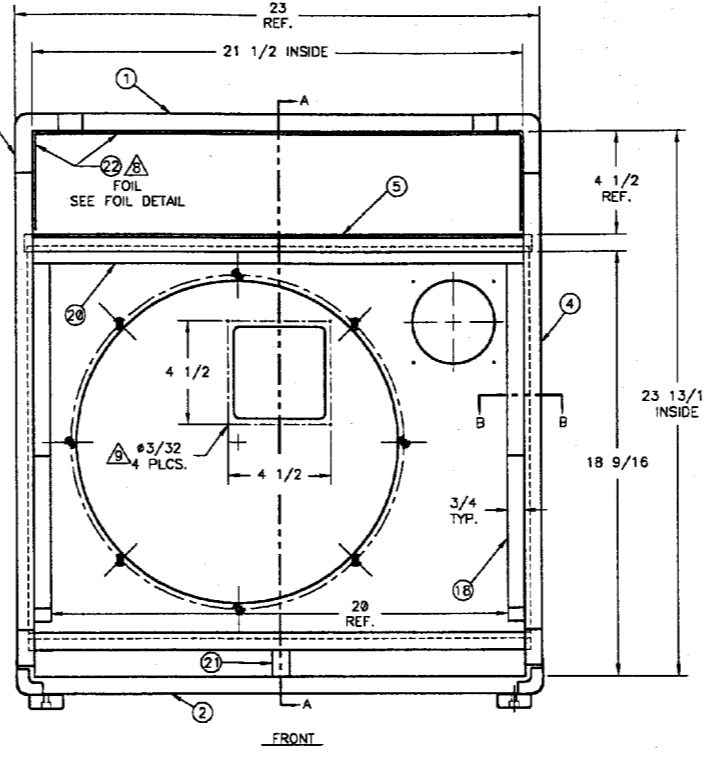
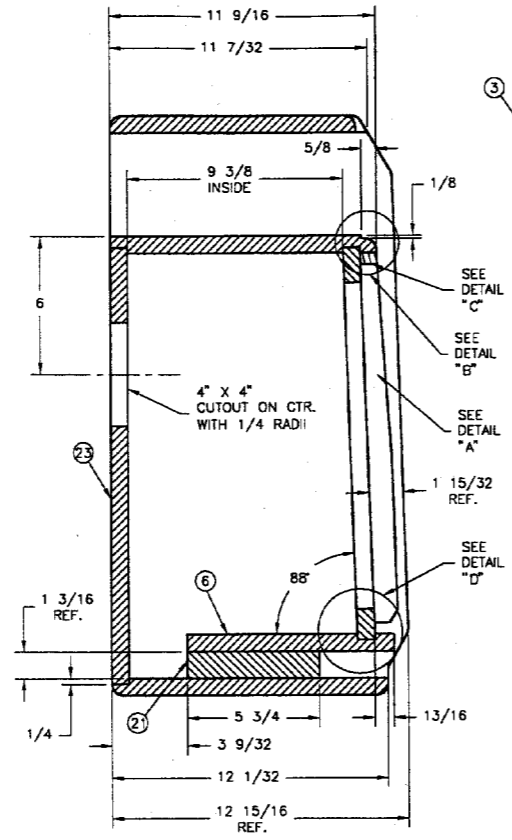
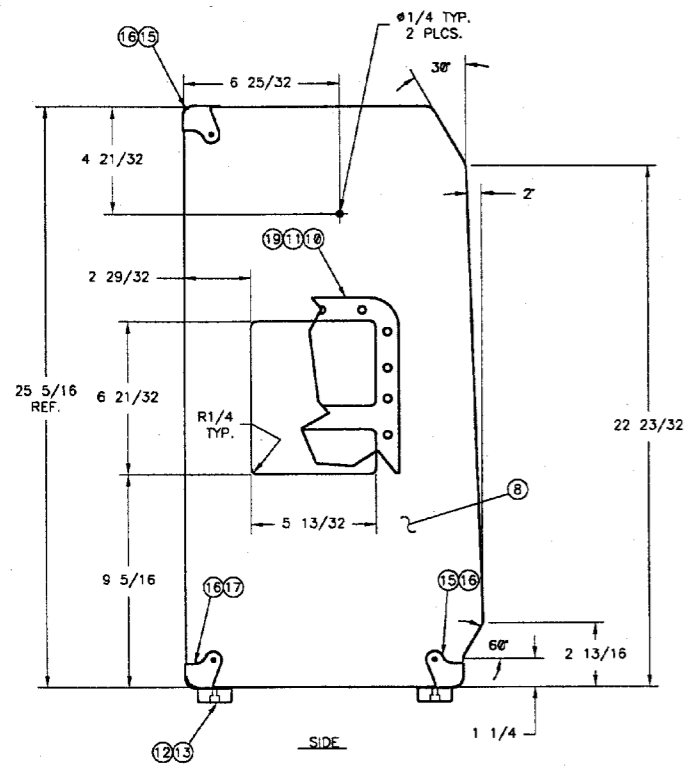
NOTES: UNLESS OTHERWISE NOTED

ITEM	QTY.	PART NO.	DESCRIPTION
26	1	0055795000	WIRE SET
24	1	0039236000	SWITCH
12	1	0055790000	PANEL REAR
10	1	0048960000	XFMR PWR
8	1	NONE	LABEL VOLTAGE
3	1	0053885000	FUSE
1	1	BASSMAN 200	CHASSIS ASSEMBLY
		120V DOM.	
		230V U.K./EUR.	
		0055784000	
		BASSMAN 200	
		240V AUST.	
		BASSMAN 200	
		100V JPN.	
		BASSMAN 200	
		220V R.O.K.	
		0055785000	
		BASSMAN 200	
		0056543000	

8 7 6 5 4 3 2 1

THIS DOCUMENT CONTAINS INFORMATION OF A PROPRIETARY NATURE TO FENDER MUSICAL INSTRUMENTS AND IS SUBMITTED TO YOU IN CONFIDENCE AND SHALL NOT BE DISCLOSED OR TRANSMITTED TO OTHERS WITHOUT AUTHORIZATION FROM FENDER MUSICAL INSTRUMENTS CORP.

REV	EC NUMBER	BY	DATE/WORK
A	PR 419	BW	1/11/2000
B	EC 2492-DEL ITEM 24&25, ADD NOTE 10	BW	8/4/2000



- 10. T-NUTS FOR FOOT MOUNTING SHOULD BE COUNTER-SUNK.
 - 9. PILOT HOLES 1/4" DEEP.
 - 8. STAPLE SHIELDING AT CORNERS AND MIDDLE.
 - 7. COVER FRONT AND SIDES OF CLEATS WITH CARPET.
 - 6. FEET NOT SHOWN IN ALL VIEWS FOR CLARITY.
 - 5. ALL CORNER RADII TO BE 1/2".
 - 4. COPYRIGHT - 2000 - FENDER MUSICAL INSTRUMENTS CORP.
 - 3. - 3 - SAMPLES OF FIRST PARTS MUST BE APPROVED BY FENDER R&D BEFORE STARTING PRODUCTION.
 - 2. ALL DIMENSIONS ARE IN INCHES.
 - 1. DO NOT SCALE DRAWING.
- NOTES: UNLESS OTHERWISE NOTED

ITEM	QTY.	PART NO.	DESCRIPTION
23	1	0055946011	CABINET BACK
22	A/R	0040004000	TAPE ALUM 9" x 60YDS
21	1	0055946010	MIDDLE PORT SUPPORT
20	1	0055946009	TOP CLEAT SEE DETAIL "B" (PINE)
19	2	0014150000	HANDLE-CABINET 6 CH
18	2	0055946008	SIDE CLEAT SEE DETAIL "A"
17	2	0026568000	CORNER 3 HOLE NI
16	14	0026571000	SCRW SMAB 8X5/8 THP NI
15	4	0029071000	CORNER NOTCHED NICKEL (FD)
14	A/R	0040046000	CARPET BLACK
13	4	0026577000	SCRW M 10-32x1 PHP BLX
12	4	0051049000	FOOT RUBBER 1.5 DIA
11	2	0014151000	HANDLE HOUSING
10	20	0016627000	SCRW SMA 8x3/4 OHP BLX
9	12	0021972000	NUT T 10-32x3/4 STR 3 PRNG BLX
8	A/R	0051343000	VINYL TOLEX 4227A
7	1	0055946007	CABINET BAFFLE
6	1	0055946006	CABINET PORT SHELF 21-1/2x9x3/4
5	1	0055946005	CABINET SHELF
4	1	0055946004	CABINET SIDE RIGHT
3	1	0055946003	CABINET SIDE LEFT
2	1	0055946002	CABINET BOTTOM
1	1	0055946001	CABINET TOP

MATERIAL
0027579000 3/4" PINE
0027500000 3/4" BIRCH MAPLE
0027903000 2" x 2" LUMBER

FINISH
PAINT ALL EXPOSED SURFACES BLACK

TOL. UNLESS NOTED
FRACT. ----- +- 1/32
.X ----- +- 0.050
.XX ----- +- 0.010
.XXX ----- +- 0.010
ANGLES ----- +- 0.5 DEGREES
HOLE DIA. ----- +0.005 - 0.001
UNMARKED ANGLES ARE 90 DEGREES.

ENGINEER
HAACK

DRAWN
WIELOPOLSKA

DATE
9/21/99

DATE
8/4/00

DATE
04-AUG-00

Fender
FENDER MUSICAL INSTRUMENTS CORP.
CORONA, CALIFORNIA U.S.A.

TITLE
CABINET ASSEMBLY
BASSMAN 200

SHEET
1/1

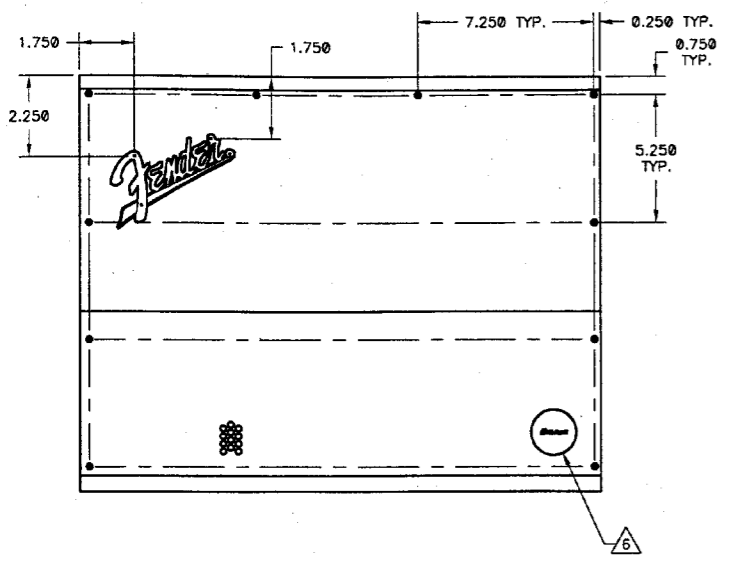
SCALE
N/A

DRAWING NUMBER
0055946000

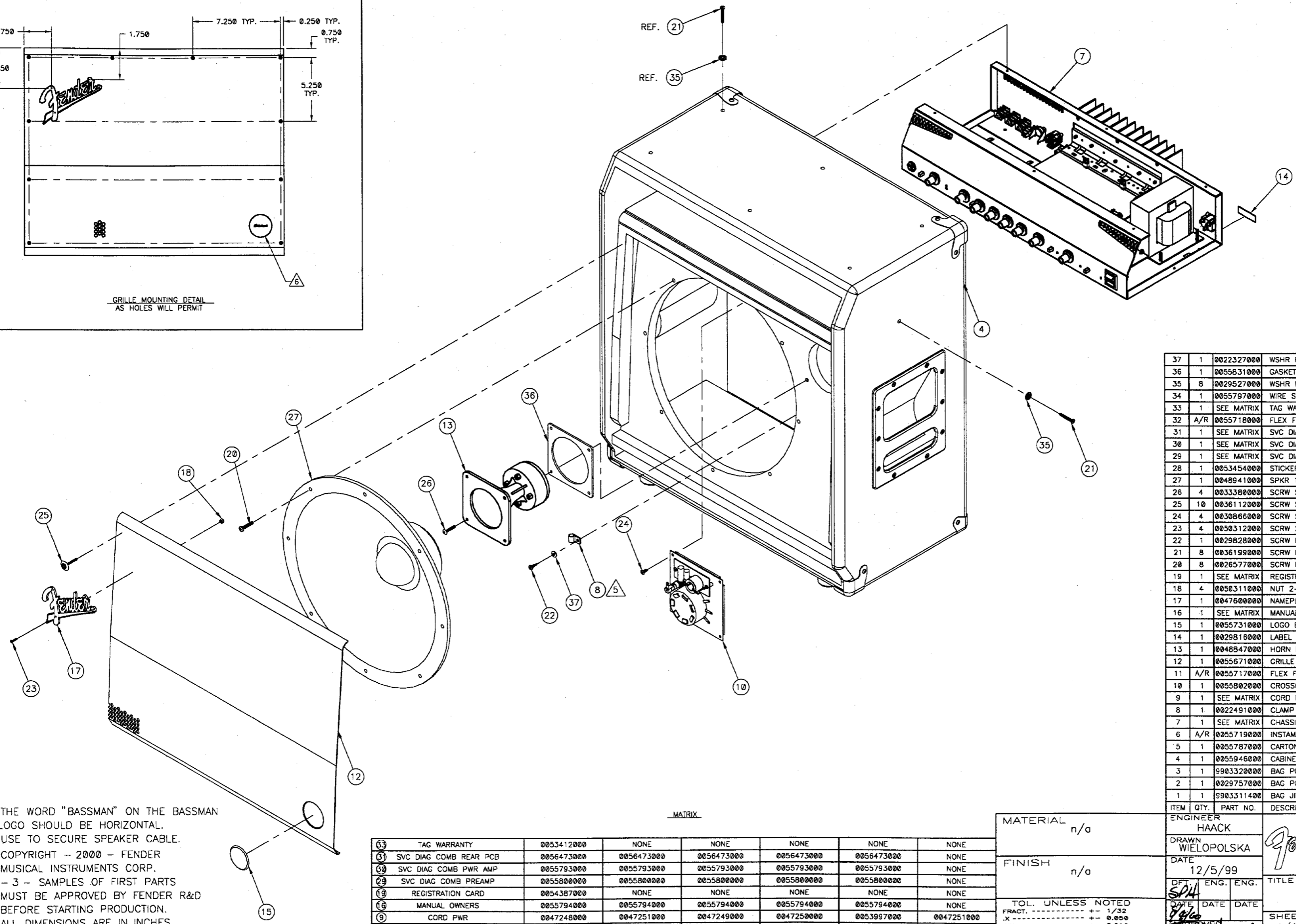
REV.
B

THIS DOCUMENT CONTAINS INFORMATION OF A PROPRIETARY NATURE TO FENDER MUSICAL INSTRUMENTS AND IS SUBMITTED TO YOU IN CONFIDENCE AND SHALL NOT BE DISCLOSED OR TRANSMITTED TO OTHERS WITHOUT AUTHORIZATION FROM FENDER MUSICAL INSTRUMENTS CORP.

REV	REV NUMBER	BY	DATE/APPR
A	PR 419	BW	1/18/2000
B	EC2492 - DEL ITEM 6&32, CHG QTY TO 1 FOR ITEM 1	BW	8/3/2000



GRILLE MOUNTING DETAIL
AS HOLES WILL PERMIT



(N.S.) = NOT SHOWN

37	1	0022327000	WSHR FLAT 8x7/16 NI
36	1	0055831000	GASKET HORN BASSMAN SERIES
35	8	0029527000	WSHR FNSH 8-5/8 FLNGD BLX WX
34	1	0055797000	WIRE SET END ITEM BASSMAN 200 (N.S.)
33	1	SEE MATRIX	TAG WARRANTY 5 YR FENDER-NEW (N.S.)
32	A/R	0055718000	FLEX FOAM PART "B" (N.S.)
31	1	SEE MATRIX	SVC DIAG COMB BASSMAN 200 REAR PCB (N.S.)
30	1	SEE MATRIX	SVC DIAG COMB BASSMAN 200 PWR AMP (N.S.)
29	1	SEE MATRIX	SVC DIAG COMB BASSMAN 200 PREAMP (N.S.)
28	1	0053454000	STICKER BUMPER FEND SINCE 1946 (N.S.)
27	1	0048941000	SPKR 15" 150W (099-4815-004)
26	4	0033880000	SCRW SMAB 8x1 THP BLX
25	10	0036112000	SCRW SMAB 6x1-1/4 OHP BLX w/WS
24	4	0030866000	SCRW SMA 8x1/2 PHP NI
23	4	0050312000	SCRW 2-56x3/8 FHP NI
22	1	0029828000	SCRW PB 8x3/4 PHP ZI
21	8	0036199000	SCRW M 8-32x1-3/16 OHP BLX CP
20	8	0026577000	SCRW M 10-32x1 PHP BLX
19	1	SEE MATRIX	REGISTRATION CARD (N.S.)
18	4	0050311000	NUT 2-56 NYLON INSERT 2CNME-Z
17	1	0047600000	NAMEPLATE FNDR BLACK (994095)
16	1	SEE MATRIX	MANUAL OWNERS BASSMAN 200 (N.S.)
15	1	0055731000	LOGO BADGE BASSMAN AMPS
14	1	0029818000	LABEL SERIAL MEXICO
13	1	0048847000	HORN FOSTER 8 ohm
12	1	0055671000	GRILLE BASSMAN 100/200
11	A/R	0055717000	FLEX FOAM PART "A" (N.S.)
10	1	0055802000	CROSSOVER ASSY BASSMAN AMPS
9	1	SEE MATRIX	CORD PWR (N.S.)
8	1	0022491000	CLAMP CABLE NYL SCRW MNT 5/16
7	1	SEE MATRIX	CHASSIS ASSY BASSMAN 200
6	A/R	0055719000	INSTAMATE PACK FILM (N.S.)
5	1	0055787000	CARTON BASSMAN 200 (N.S.)
4	1	0055946000	CABINET ASSEMBLY BASSMAN 200
3	1	9903320000	BAG POLY ZIP 10x13 2M (N.S.)
2	1	0029757000	BAG POLY 35x22x52 .0015 (N.S.)
1	1	9903311400	BAG JIFFY #1 7-1/4x12 (N.S.)

- 6. THE WORD "BASSMAN" ON THE BASSMAN LOGO SHOULD BE HORIZONTAL.
 - 5. USE TO SECURE SPEAKER CABLE.
 - 4. COPYRIGHT - 2000 - FENDER MUSICAL INSTRUMENTS CORP.
 - 3. - 3 - SAMPLES OF FIRST PARTS MUST BE APPROVED BY FENDER R&D BEFORE STARTING PRODUCTION.
 - 2. ALL DIMENSIONS ARE IN INCHES.
 - 1. DO NOT SCALE DRAWING.
- NOTES: UNLESS OTHERWISE NOTED

ITEM	END	120V DOM.	230V EUR.	230V U.K.	240V AUST.	100V JPN.	220V R.O.K.	224594000
33	TAG WARRANTY	0053412000	NONE	NONE	NONE	NONE	NONE	NONE
31	SVC DIAG COMB REAR PCB	0056473000	0056473000	0056473000	0056473000	0056473000	0056473000	NONE
30	SVC DIAG COMB PWR AMP	0055793000	0055793000	0055793000	0055793000	0055793000	0055793000	NONE
29	SVC DIAG COMB PREAMP	0055800000	0055800000	0055800000	0055800000	0055800000	0055800000	NONE
19	REGISTRATION CARD	0054387000	NONE	NONE	NONE	NONE	NONE	NONE
16	MANUAL OWNERS	0055794000	0055794000	0055794000	0055794000	0055794000	0055794000	NONE
9	CORD PWR	0047248000	0047251000	0047249000	0047250000	0053997000	0047251000	0047251000
7	CHASSIS ASSY	0055783000	0055784000	0055784000	0055785000	0055786000	0056543000	0056543000
	BASSMAN 200	BASSMAN 200	BASSMAN 200	BASSMAN 200	BASSMAN 200	BASSMAN 200	BASSMAN 200	BASSMAN 200
	120V DOM.	120V DOM.	230V EUR.	230V U.K.	240V AUST.	100V JPN.	220V R.O.K.	224594000
	0224504000	0224504000	0224564000	0224564000	0224534000	0224574000	0224534000	0224534000

MATERIAL	n/a
FINISH	n/a
TOL. UNLESS NOTED	
FRACT.	+- 1/32
.X	+- 0.050
.XX	+- 0.010
.XXX	+- 0.010
ANGLES	+- 0.5 DEGREES
HOLE DIA.	+- 0.005 - 0.001
UNMARKED ANGLES ARE 90 DEGREES.	

ENGINEER	HAACK
DRAWN	WIELOPOLSKA
DATE	12/5/99
DFT	ENG. ENG.
DATE	DATE
DATE	DATE

Fender
FENDER MUSICAL INSTRUMENTS CORP.
CORONA, CALIFORNIA U.S.A.

TITLE
END ITEM ASSEMBLY
BASSMAN 200

SHEET	1/1	SIZE	D	DRAWING NUMBER	0224504000	REV.	B
SCALE	N/A			MASTER/ASSEMBLY			

DATE: 04-AUG-00