

LITTLE MARK III
COMBO HEAD II

SERVICE MANUAL

**Mark
bass**

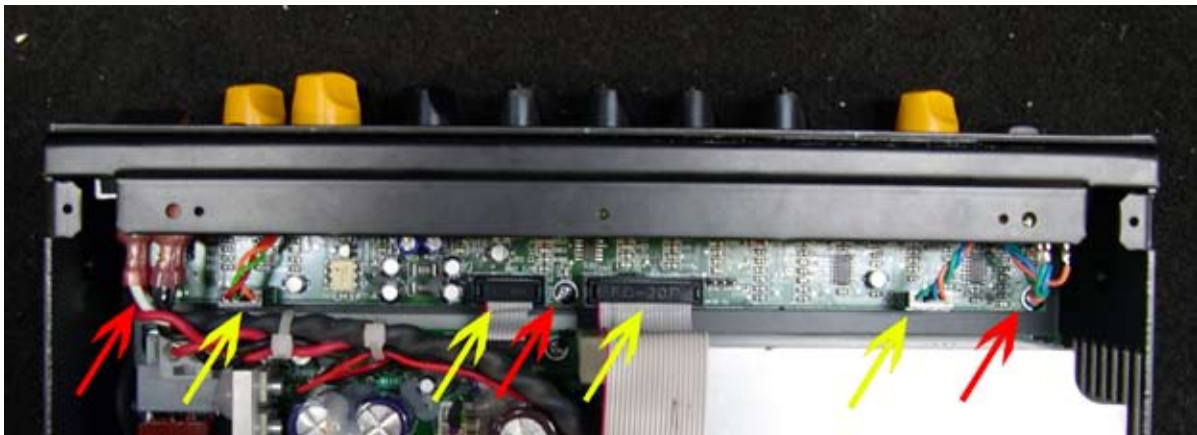
2009 EDITION

How to disassemble the LMIII / CHII preamp

1. Remove the six black knobs and the three yellow knobs pulling out as indicated in the picture (red arrow).
2. Remove the nine silver hexagonal nuts using a 10 or 11 mm nut screwdriver.
3. Remove the black hexagonal nut using a 15 mm nut screwdriver (see yellow arrow).

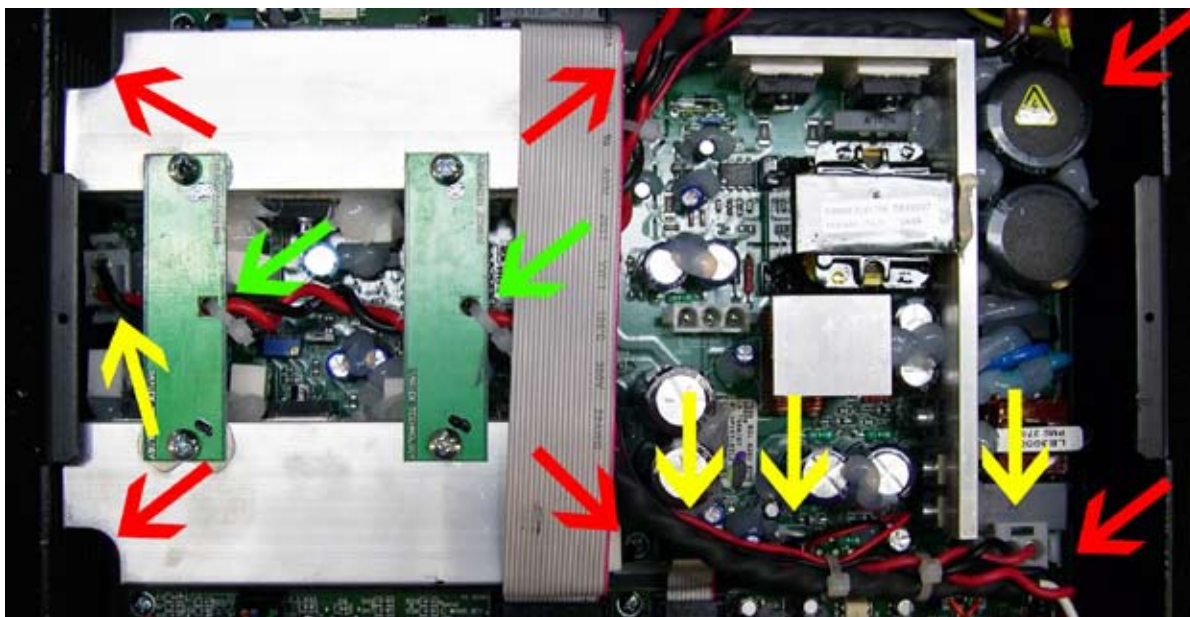


4. Remove the four connectors from the preamp (yellow arrows).
5. Remove the three screws (red arrows).



How to disassemble the LMIII / CHII poweramp

1. Remove the four connectors (yellow arrows).
2. Cut the two ties (green arrows).
3. Remove the six screws (red arrows).

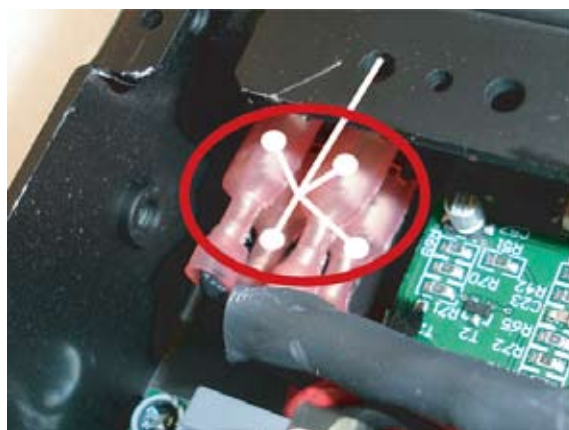


How to disassemble the LMIII / CHII front panel components

1. Remove the two screws with a 2.5 mm hexagonal wrench (red arrows).

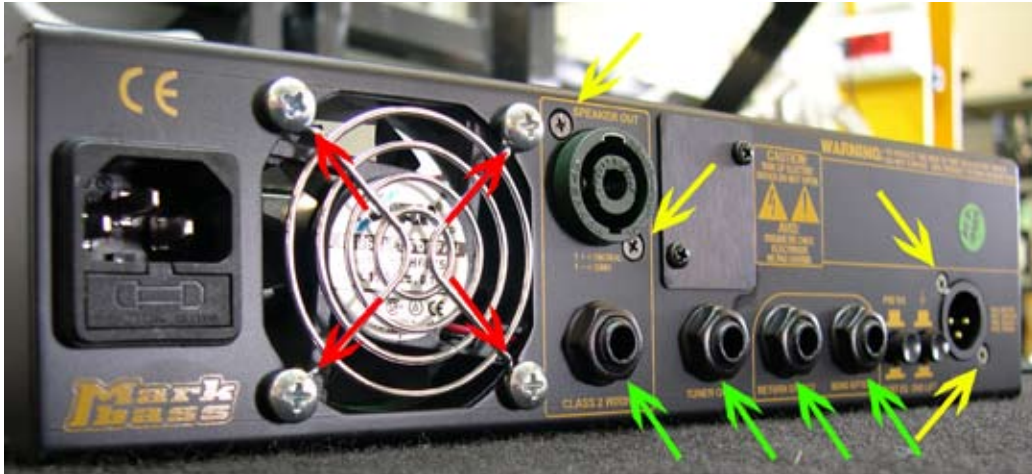


2. Remove the four faston connectors (red circle).
3. Press on the top and bottom ends of the power switch (red arrows) to remove it from the panel.

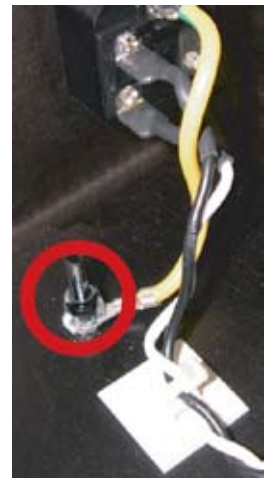
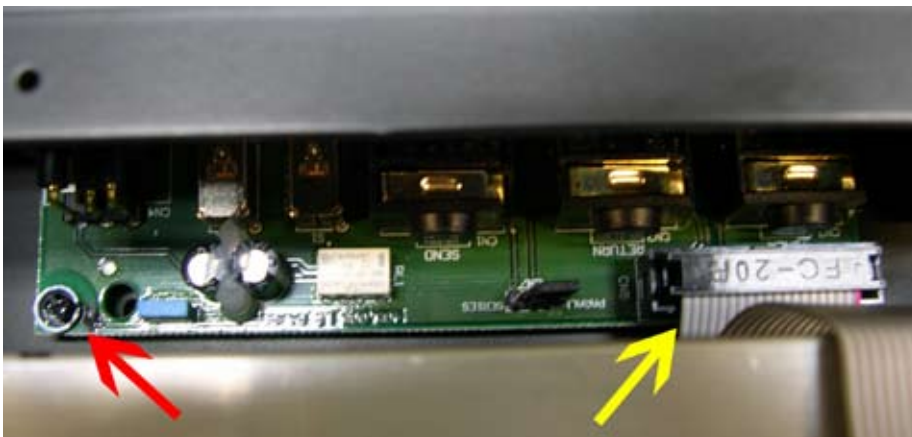


How to Disassemble the LMIII / CHII rear panel components

1. Remove the four hexagonal nuts using a 15 mm nut screwdriver (green arrows).
2. Using a screwdriver, remove the two screws of the line out jack and the two screws of the speaker out speakon combo jack (yellow arrows).
3. Using a screwdriver, remove the four screws of the fan (red arrows).



4. Using a screwdriver, remove the screw of the back panel (red arrow) and remove the 20-pin flat connector (yellow arrow).
5. Remove the ground hexagonal nut (red circle) using a 7 mm nut screw driver.



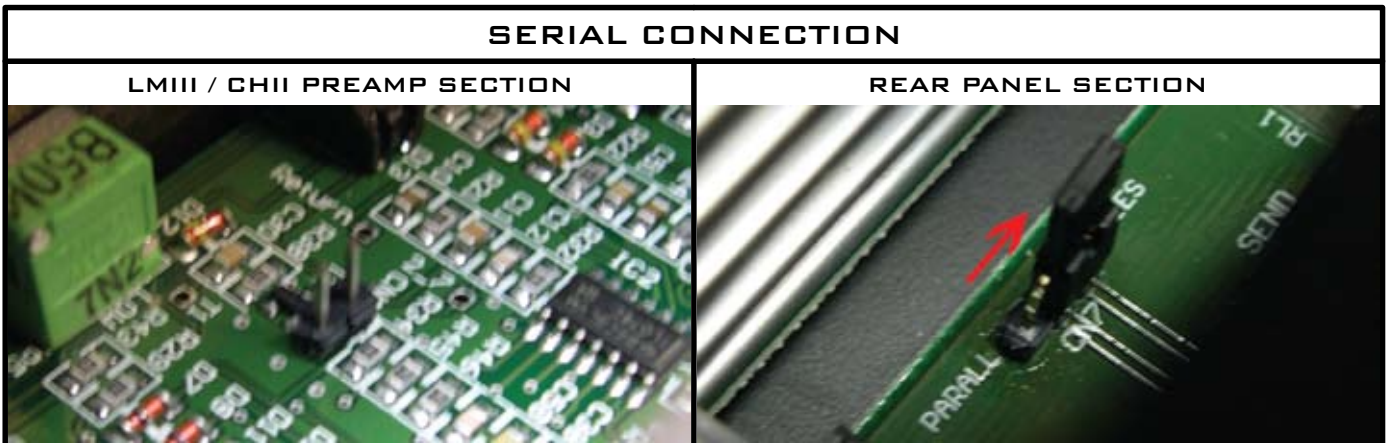
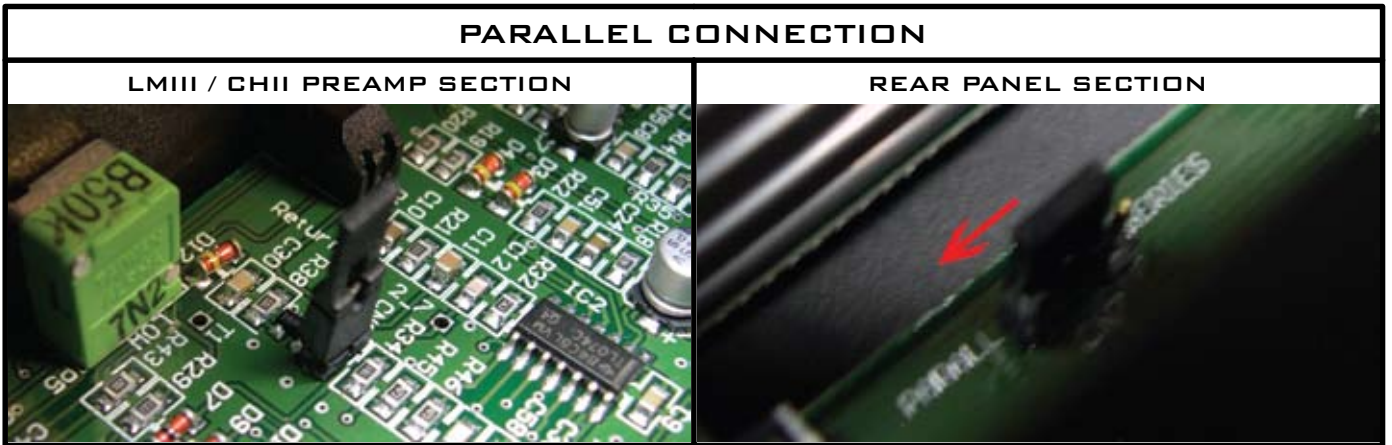
6. Press on the top and bottom (red arrows) ends of the AC power jack to remove it from the panel.

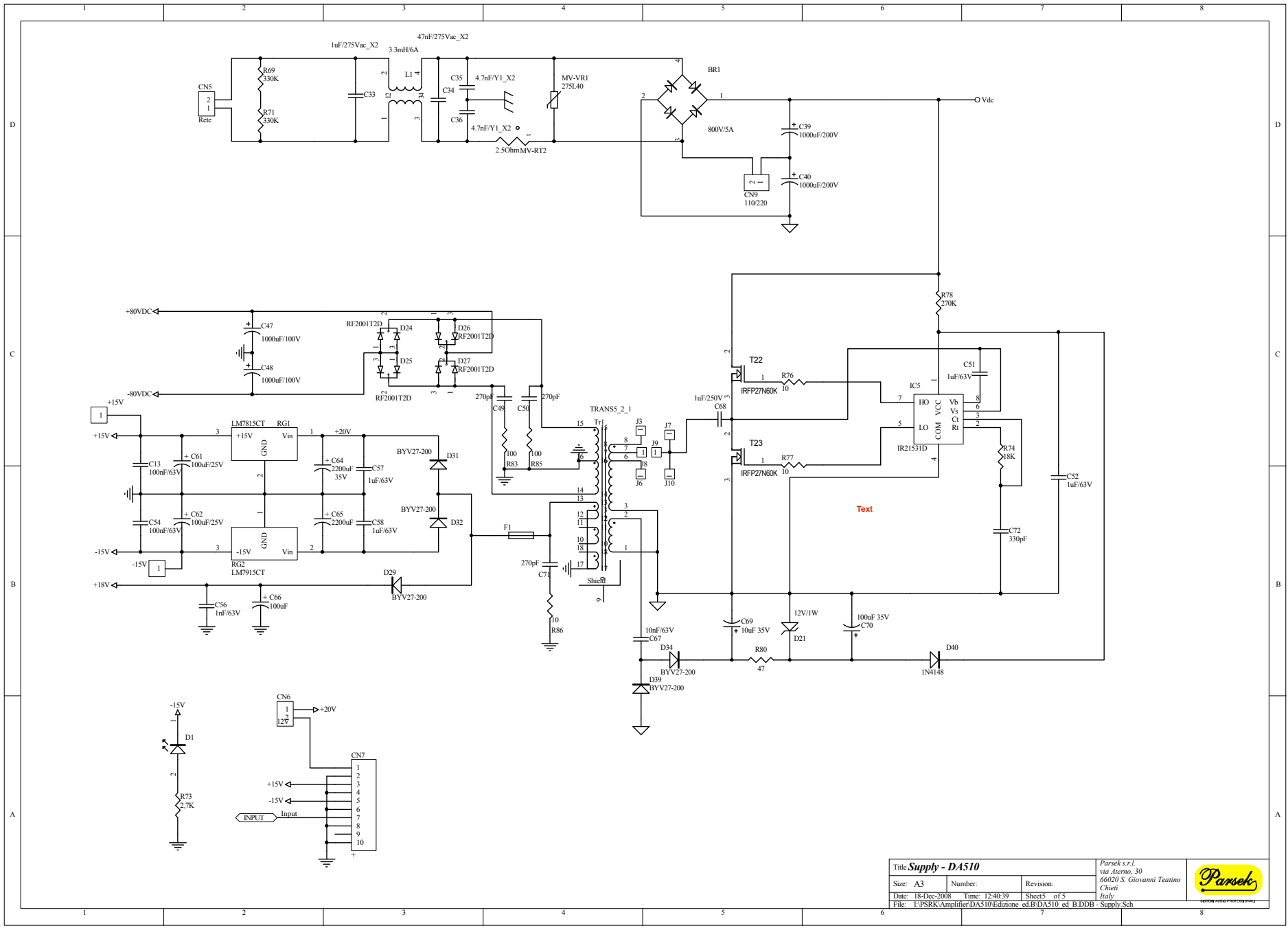


Effects Loop Modification

The images below show how the effects loop in your amp can be modified to run in series.

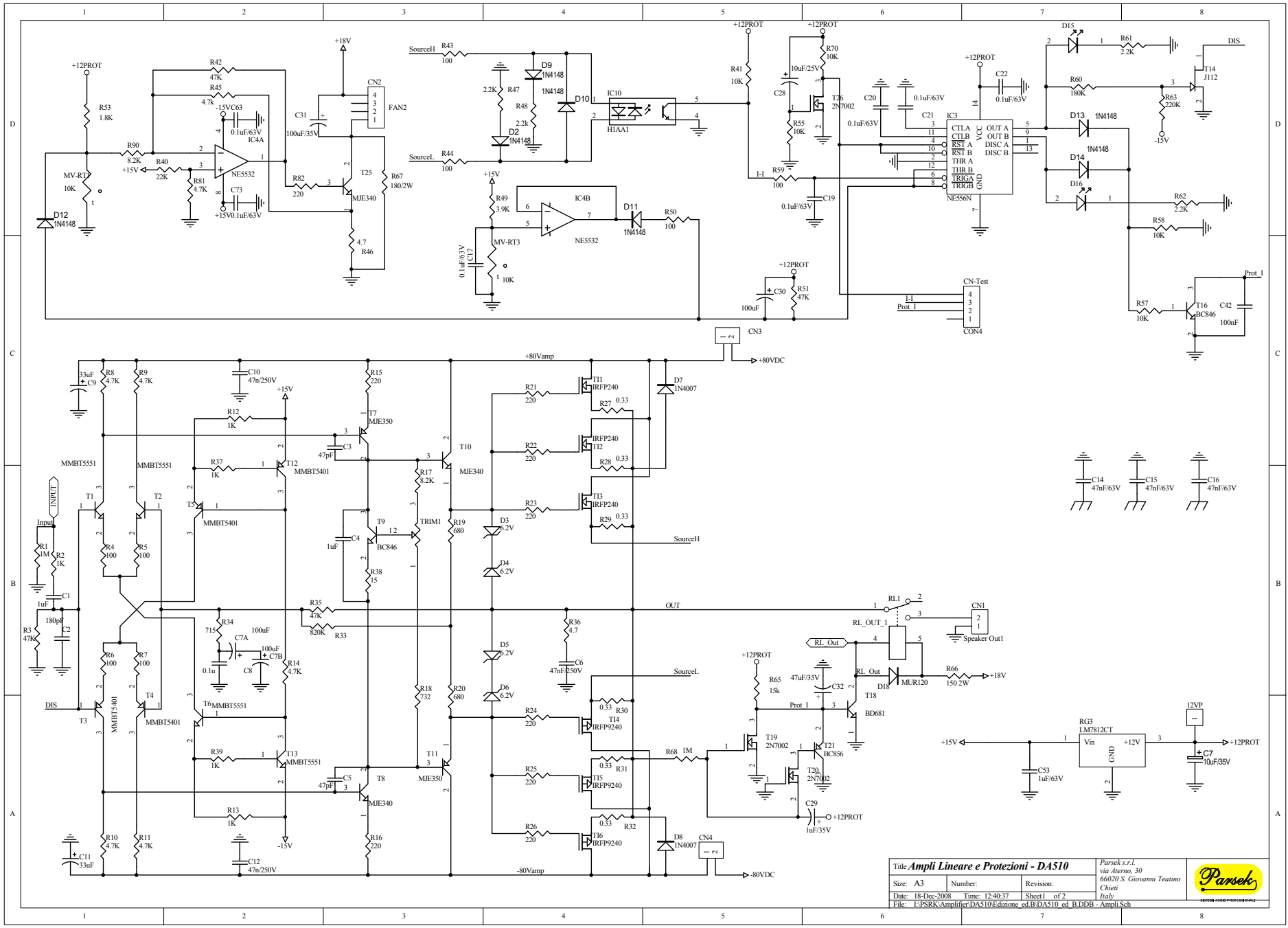
The default factory setting is parallel.



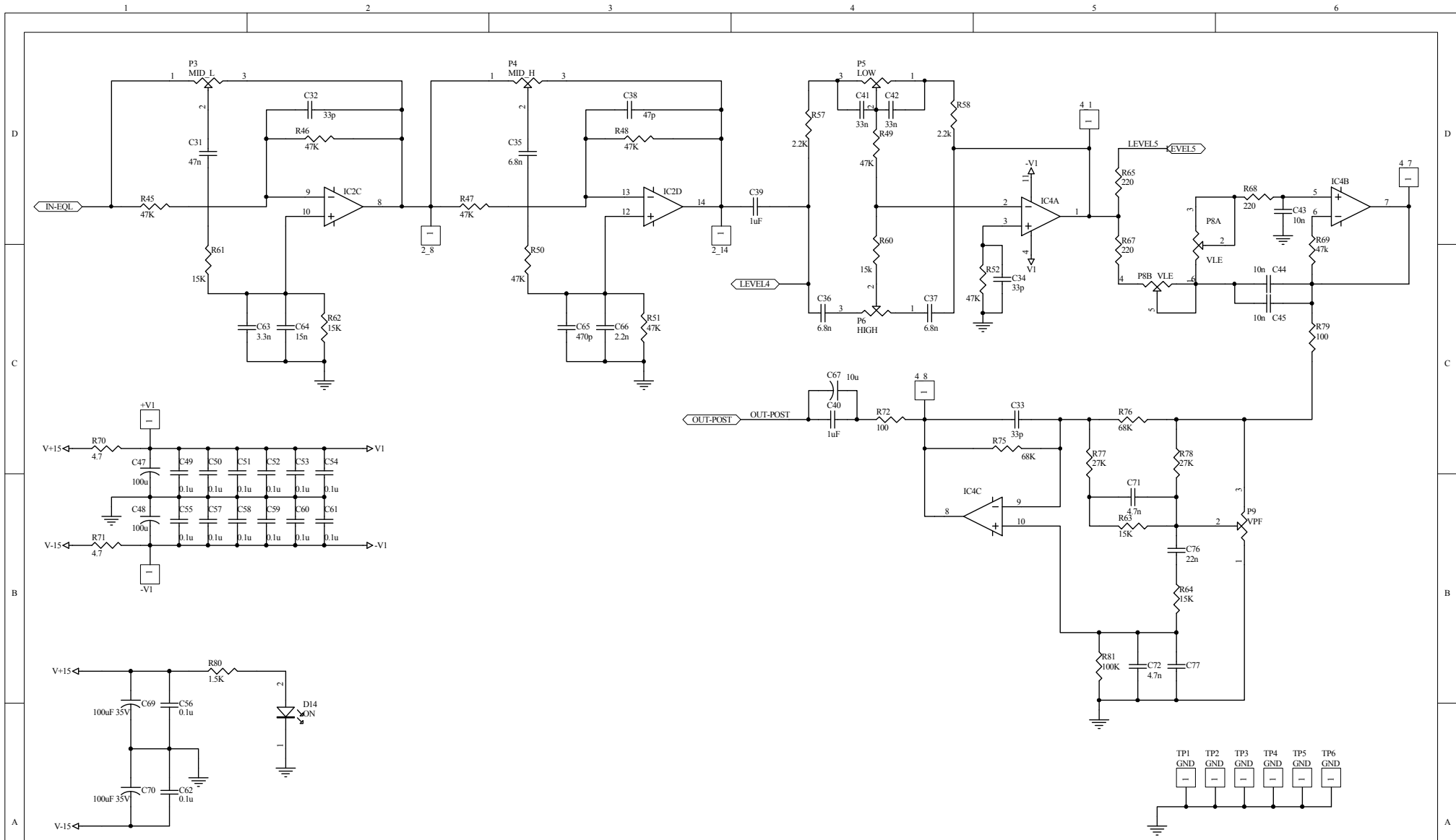


Title Supply - DA510		Parsek s.r.l. via Aterno, 30 66020 S. Giovanni Teatino Chieti Italy	
Size: A3	Number:	Revision:	
Date: 18-Dec-2008	Time: 12:40:39	Sheet 5	of 5
File: E:\PSRR\Amplifier\DA510\Edizione ed B\DA510 ed B\DDB - Supply_Sch			



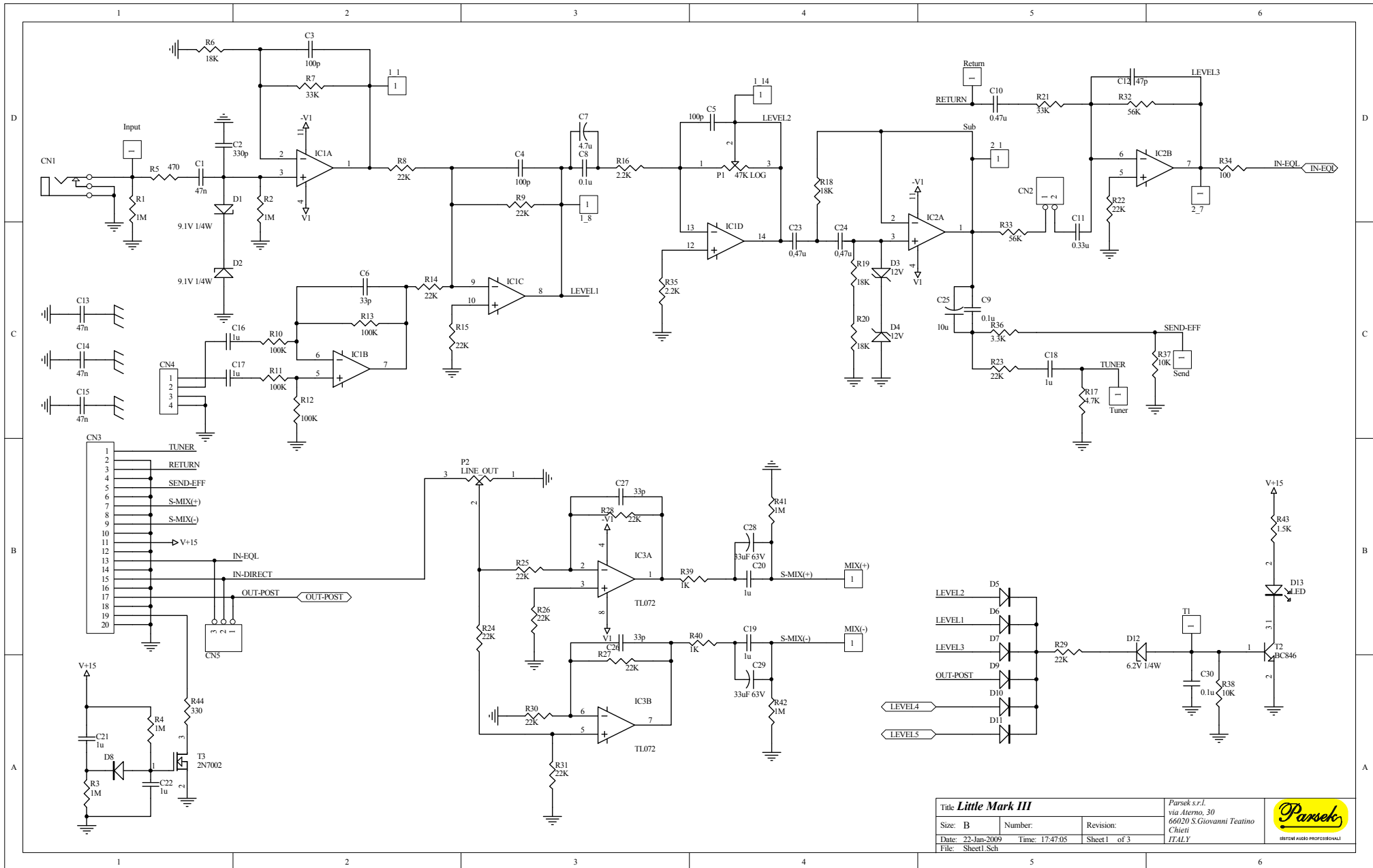


Title: Ampli Lineare e Protezioni - DA510		Parsek s.r.l. via Aterno, 30 66020 S. Giovanni Teatino Chieti Italy		
Size: A3	Number:	Revision:		
Date: 18-Dec-2008	Time: 12:40:37	Sheet 1 of 2		
File: I:\PSRK\Amplifier\DA510\Edizione ed B\DA510.ed B.DDB - Ampli Sch				



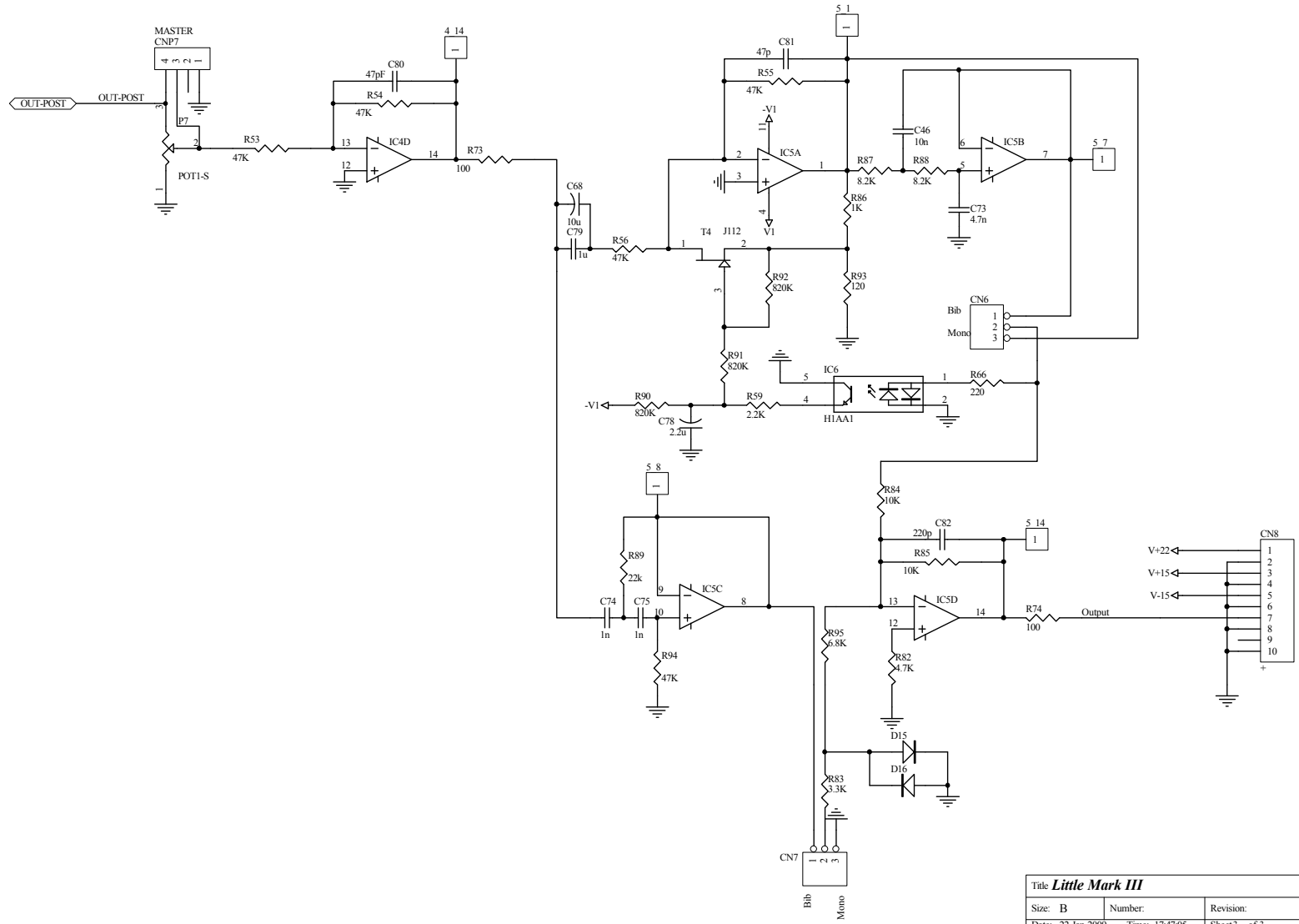
Title Little Mark III			Parsek s.r.l. via Alermo, 30 66029 S.Giovanni Teatino Chieti ITALY		
Size: B	Number:	Revision:			
Date: 22-Jan-2009	Time: 17:47:04	Sheet2 of 3			
File: Sheet2.Sch	5				





Title Little Mark III		Parsek s.r.l. via Aterno, 30 66020 S. Giovanni Teatino Chieti ITALY	
Size: B	Number:	Revision:	
Date: 22-Jan-2009	Time: 17:47:05	Sheet 1	of 3
File: Sheet1.Sch		sistem audio professional	





Title Little Mark III		Parsek s.r.l. via Alermo, 30 66029 S.Giovanni Teatino Chieti ITALY	
Size: B	Number:	Revision:	
Date: 22-Jan-2009	Time: 17:47:05	Sheet 3 of 3	
File: Sheet3.Sch	5		

