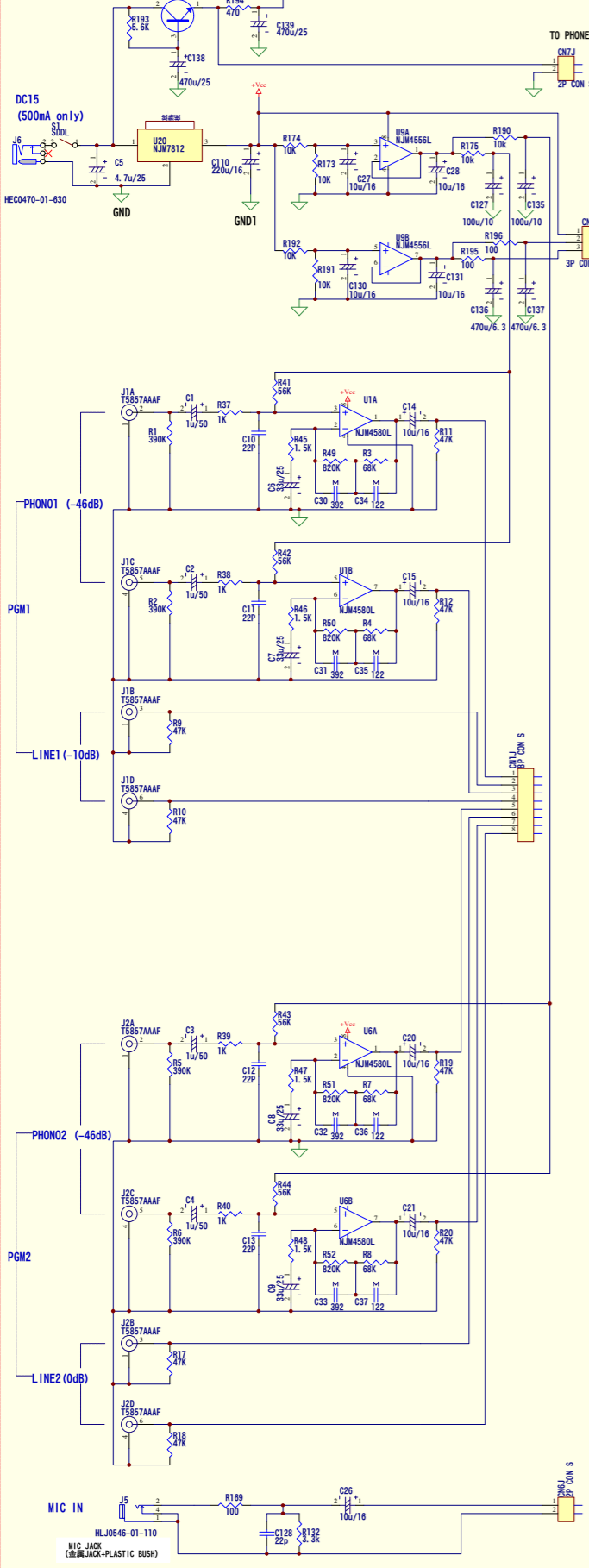
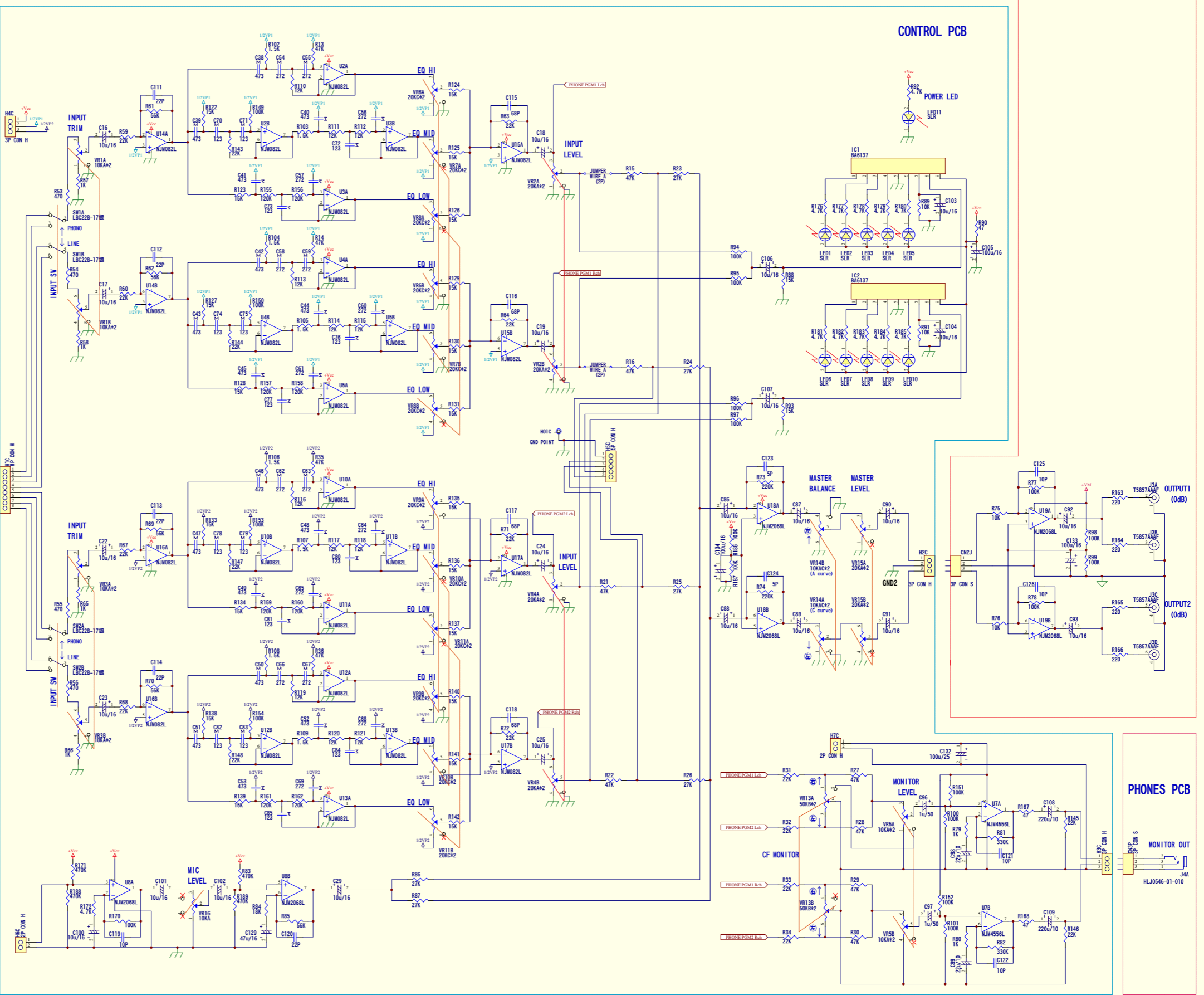


JACK PCB



CONTROL PCB



改訂 2002.1.7
(R83, R93 ~ 27K-15K)
(C132 ~ 100u/16-100u/25)