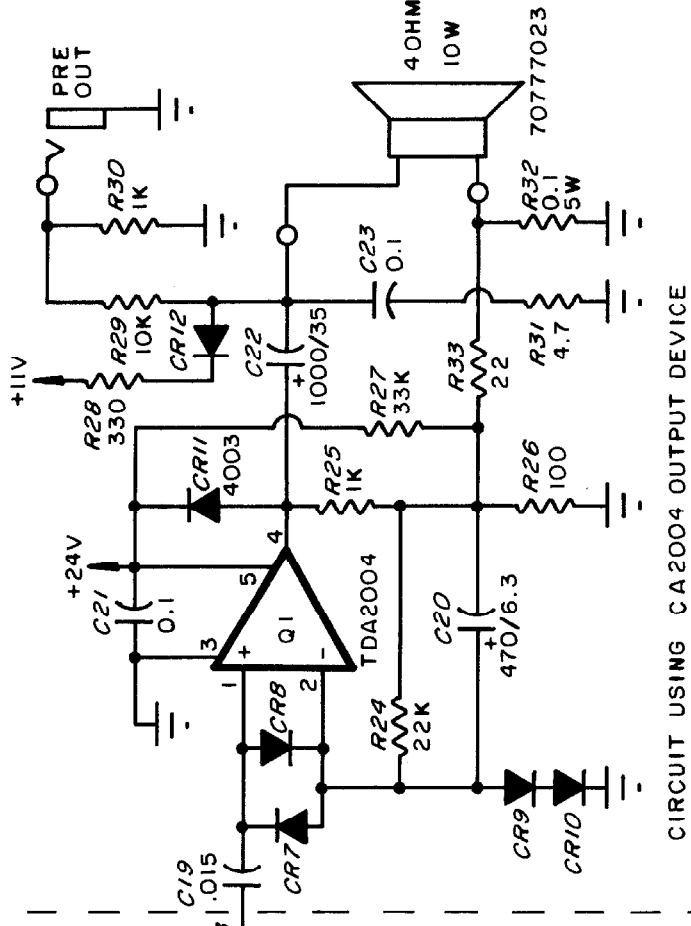


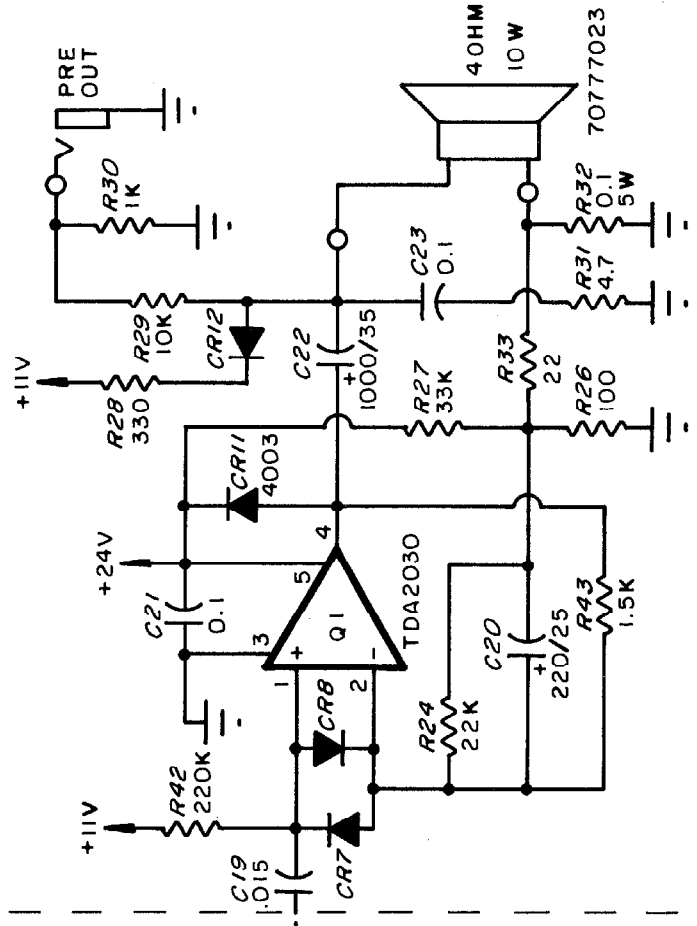
**NOTES**  
 ALL POTS ARE LINEAR UNLESS NOTED  
 ALL RESISTORS 1/4W UNLESS NOTED  
 ALL RESISTORS IN OHMS UNLESS NOTED  
 ALL CAPACITORS IN MFD UNLESS NOTED  
 ALL DIODES IN 4148 UNLESS NOTED  
 LAST REF. DESIGNATOR USED:  
 R43 C29 CR18 U1 Q1

MODIFICATIONS NEEDED WHEN USING TDA2030 ;  
 DELETE R25 (1K), CR9 (4148), & CR10 (4148)  
 CHANGE C20 FROM 470/6.3 TO 220/25  
 ADD R42 (220K) FROM +11V TO PIN 1 OF  
 TDA2030 ON BACK OF BD.  
 ADD R43 (1.5K) FROM PIN 2 TO PIN 4 OF  
 TDA2030 ON BACK OF BD.

**DECADE**  
 BD. # 99008049  
 BD. # 99008050



CIRCUIT USING CA2004 OUTPUT DEVICE



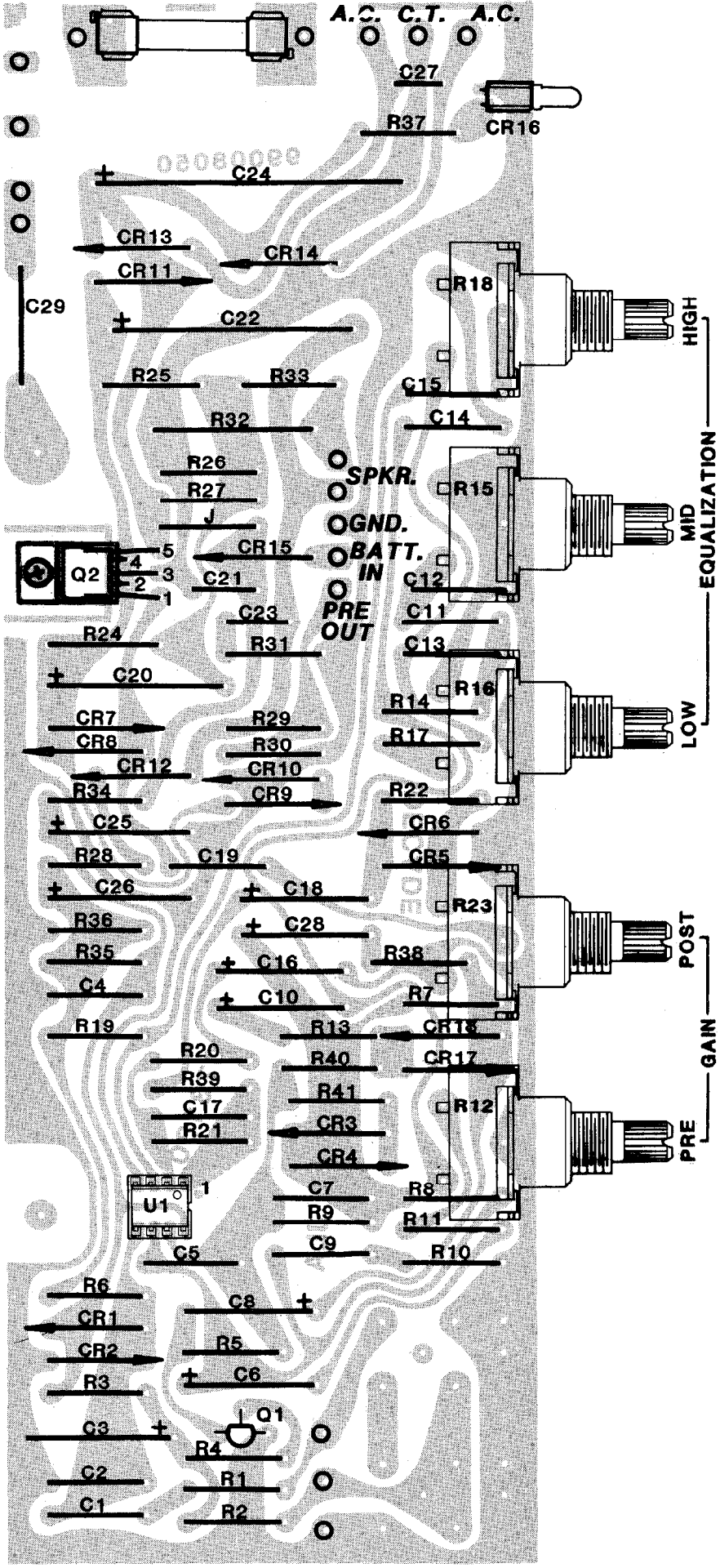
CIRCUIT USING TDA2030 OUTPUT DEVICE

REVISED 11/29/83 RRG  
 REVISED 7/27/81 RRG  
 PEAVEY ELECTRONICS CORP.  
 MERIDIAN, MS.  
 DRAWN BY RRG DATE 6-18-80  
 C.B. CHECK RRG  
 CHECK BY JAB  
 APPR. BY JCB

P/N 81501135

COPYRIGHT 1981 PRINTED IN U.S.A.

# DECADE



# DECADE WITH MODIFICATIONS

\* TACKED ON FOIL SIDE OF BOARD

