

A B C D E F G H

1

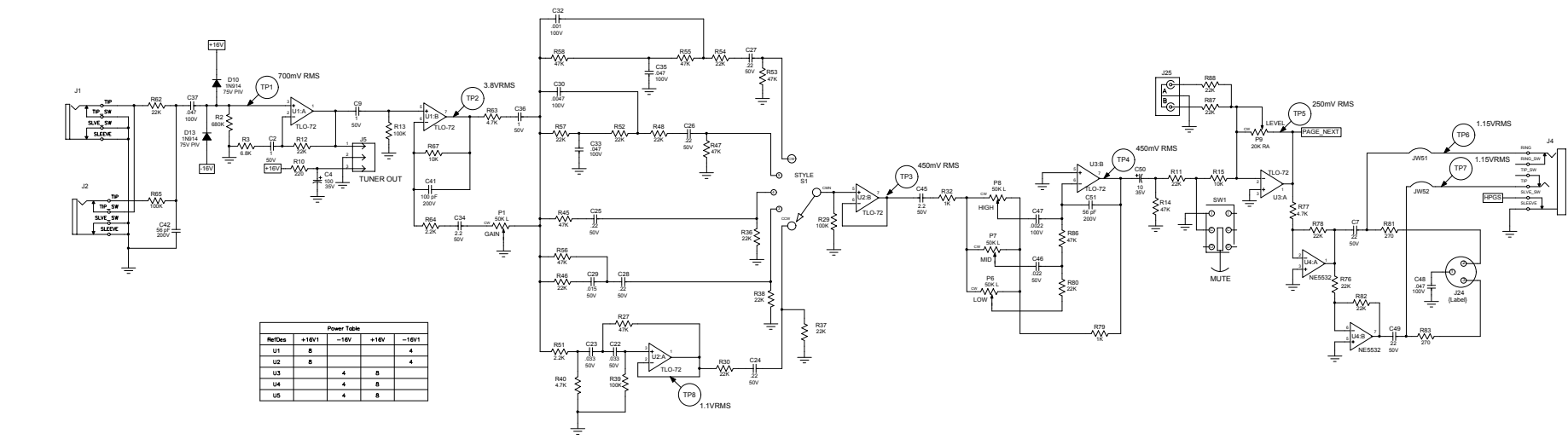
2

3

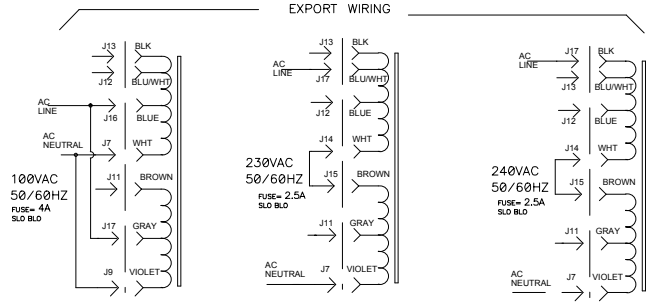
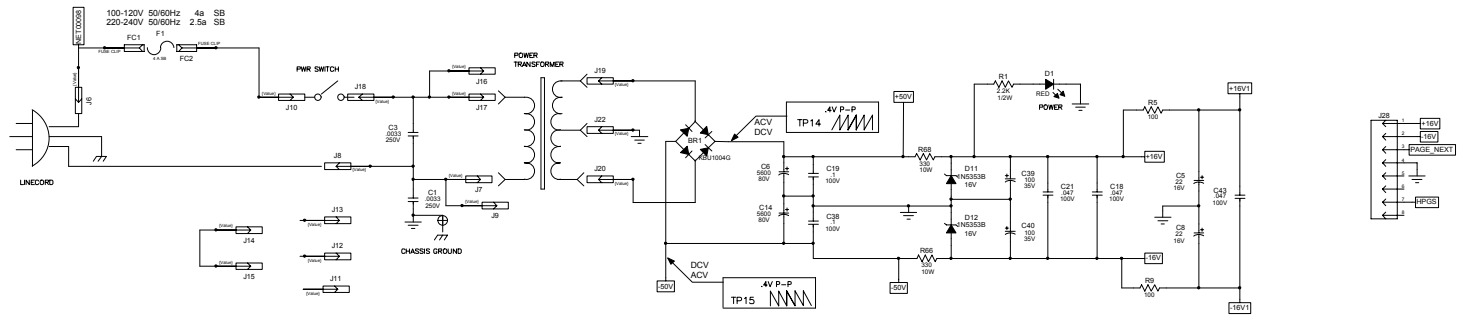
4

5

6



Part Des	+16V1	-16V	+16V	-16V1
U1	8		4	4
U2	8		4	4
U3		4	8	
U4		4	8	
U5		4	8	

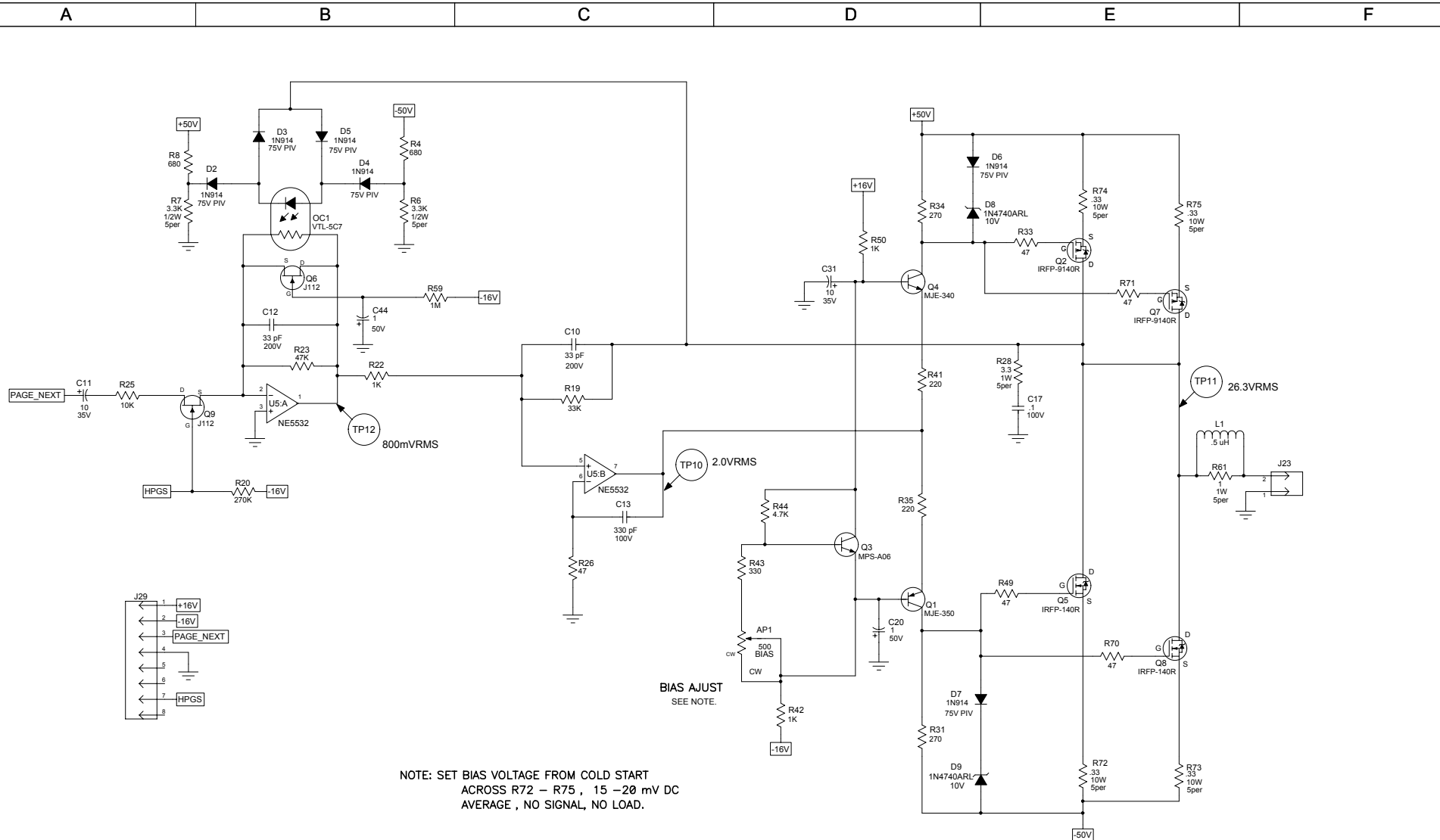


**CAUTION:**  
THIS SCHEMATIC IS PROVIDED FOR USE BY QUALIFIED PERSONNEL TO AVOID RISK OF ELECTRIC SHOCK. REFER SERVICING TO QUALIFIED SERVICE PERSONNEL. DO NOT PERFORM ANY SERVICING BEYOND THAT EXPLAINED IN THE OPERATING INSTRUCTIONS.

**NOTES:**  
1) CAUTION: SHOCK HAZARD!! THIS UNIT CONTAINS HAZARDOUS VOLTAGE. DISCONNECT POWER AND BE SURE POWER SUPPLY IS DISCHARGED BEFORE TOUCHING INTERNAL PARTS.  
2) UNLESS NOTED, RESISTOR VALUES IN OHMS, 1/4W-5% TOL. CAPACITOR VALUES IN MICROFARADS, 50V-10% TOL.  
3) VOLTAGES ARE MEASURED WITH 1 MEGOHM OSCILLOSCOPE AND 10 MEGOHM DIGITAL VOLTMETER.

ASSY P/N 07-457-01

REV	1-8-03	CONTROL ISSUE			
Date		DESCRIPTION	Er(s)/Ecr(s)	Chgd By	Appvd by
THE INFORMATION CONTAINED ON THIS DRAWING IS PROPRIETARY TO ST. LOUIS MUSIC, INC.					
Signatures:		Date:		First Used On:	
Drawn: RLB		4/18/00		11880 Borman Drive, St. Louis, MO 63146	
Checked:				BA210/115HP	
Released:					
Plot Date: Thu Jan 09, 2003		Drawing Size: D		Drawing Title: SCHEMATIC - BASS AMP	
Plot Time: 08:13:03		Drawing Type: Schematic		Drawing Number: 07S457-XX	
Tolerance:		Class Code: NONE		Sheet 1 of 2	



NOTE: SET BIAS VOLTAGE FROM COLD START  
ACROSS R72 - R75 , 15 -20 mV DC  
AVERAGE , NO SIGNAL, NO LOAD.

BIAS AJUST  
SEE NOTE.

TEST POINT CONDITIONS NOTE :  
1 KHz INPUT SINEWAVE 170mV @ 0 dB  
INPUT JACK. 120VAC LINE, VOLUME & LEVEL @ \*10\*  
TONES @ \*5\* , DC VOLTAGES WITH 0 SIGNAL APPLIED.

CAUTION:  
THIS SCHEMATIC IS PROVIDED FOR USE BY QUALIFIED PERSONNEL.  
TO AVOID RISK OF ELECTRIC SHOCK, REFER SERVICING TO QUALIFIED  
SERVICE PERSONNEL. DO NOT PERFORM ANY SERVICING BEYOND  
THAT EXPLAINED IN THE OPERATING INSTRUCTIONS.

- NOTES:  
1) CAUTION: SHOCK HAZARD!!  
THIS UNIT CONTAINS HAZARDOUS VOLTAGE. DISCONNECT POWER  
AND BE SURE POWER SUPPLY IS DISCHARGED BEFORE  
TOUCHING INTERNAL PARTS.  
2) UNLESS NOTED, RESISTOR VALUES IN OHMS, 1/4W-5% TOL.  
CAPACITOR VALUES IN MICROFARADS, 50V-10% TOL.  
3) VOLTAGES ARE MEASURED WITH 1 MEGOHM OSCILLOSCOPE  
AND 10 MEGOHM DIGITAL VOLTMETER.

0	1-9-03	CONTROL ISSUE				
REV	Date	DESCRIPTION	Ecr(s)/Eon(s)	Chgd By	Appvd by	Date
THE INFORMATION CONTAINED ON THIS DRAWING IS PROPRIETARY TO ST. LOUIS MUSIC, INC.						
Signatures:			Date:		 11880 Borman Drive, St. Louis, MO 63146	
Drawn: RLB			4/18/00			
Checked:			Released:		First Used On:	
Released:					BA210/115HP	
Plot Date: Thu Jan 09, 2003		Drawing Size: C		Drawing Title:		
Plot Time: 08:13:04		Drawing Type: Schematic		SCHEMATIC -BASS AMP		
Tolerance:		Class Code: NONE		Drawing Number:		
		Sheet 2 of 2		07S457-XX		