

REVISION RECORD			
LTR	ECO NO:	APPROVED:	DATE:

D

D

C

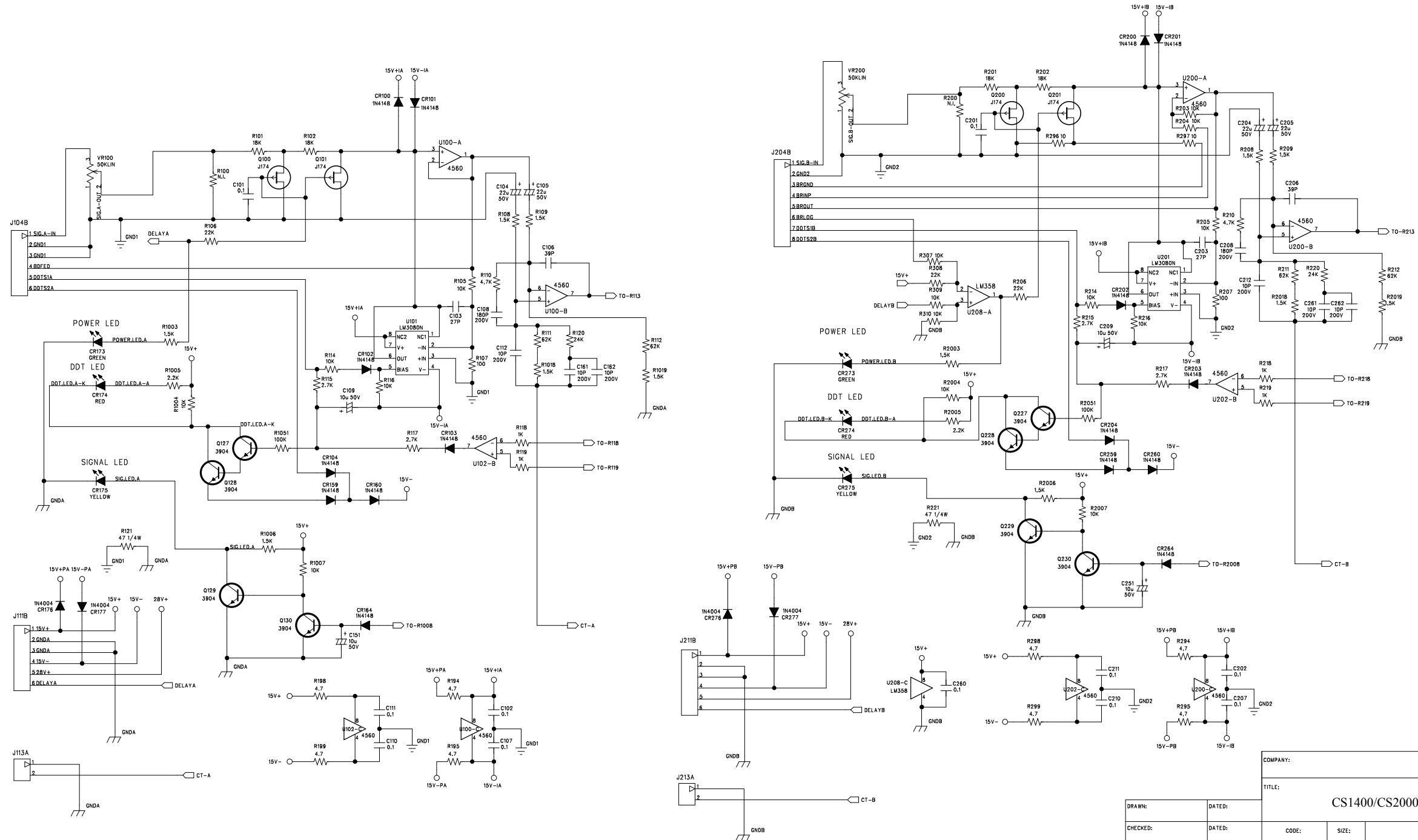
C

B

B

A

A



COMPANY:			
TITLE:			
CS1400/CS2000			
CODE:	SIZE:	DRAWING NO:	REV:
			01
SCALE:	SHEET: 2 OF 5		

DRAWN:	DATED:
CHECKED:	DATED:
QUALITY CONTROL:	DATED:
RELEASED:	DATED:

REVISION RECORD			
LTR	ECO NO:	APPROVED:	DATE:

D

C

B

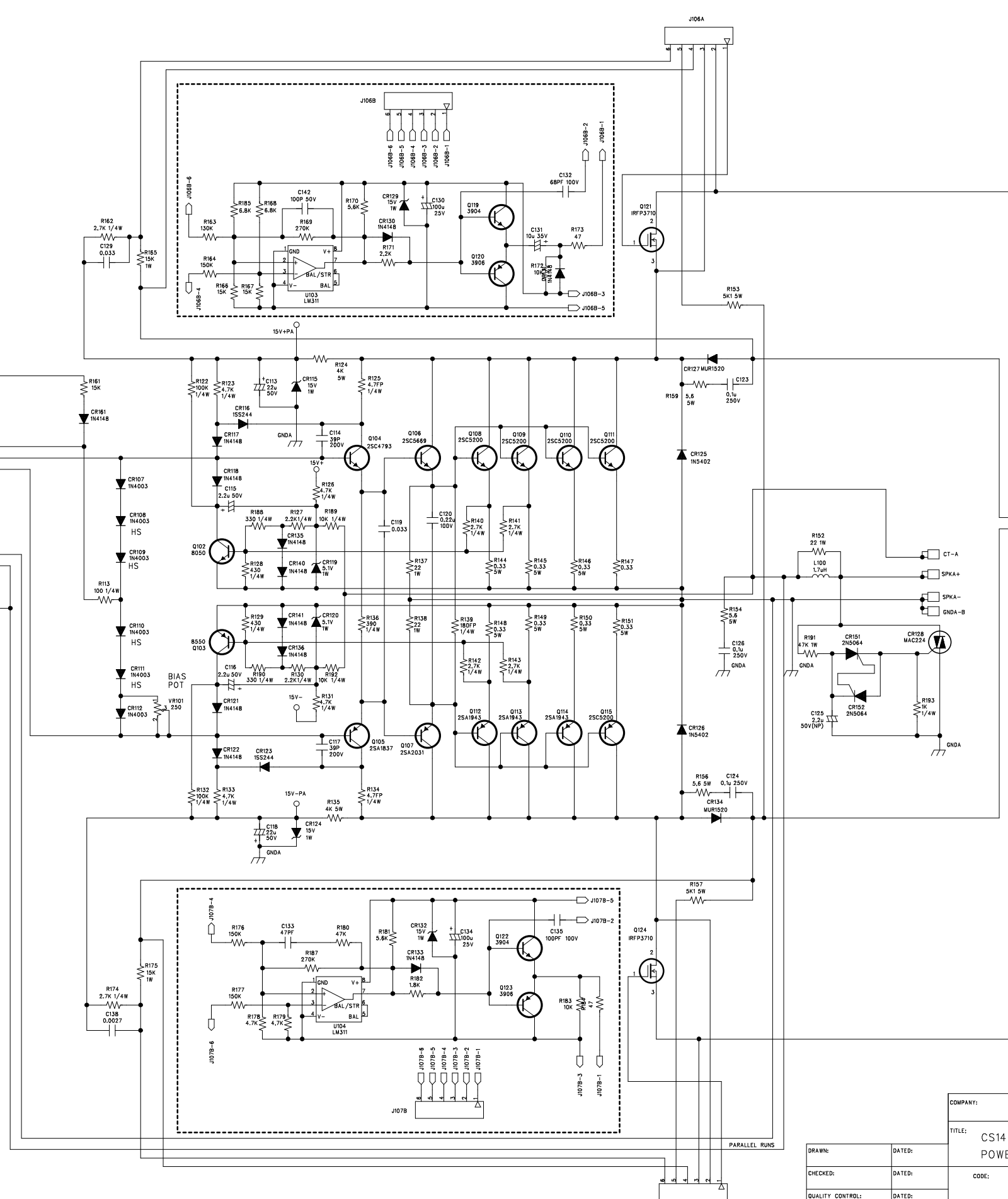
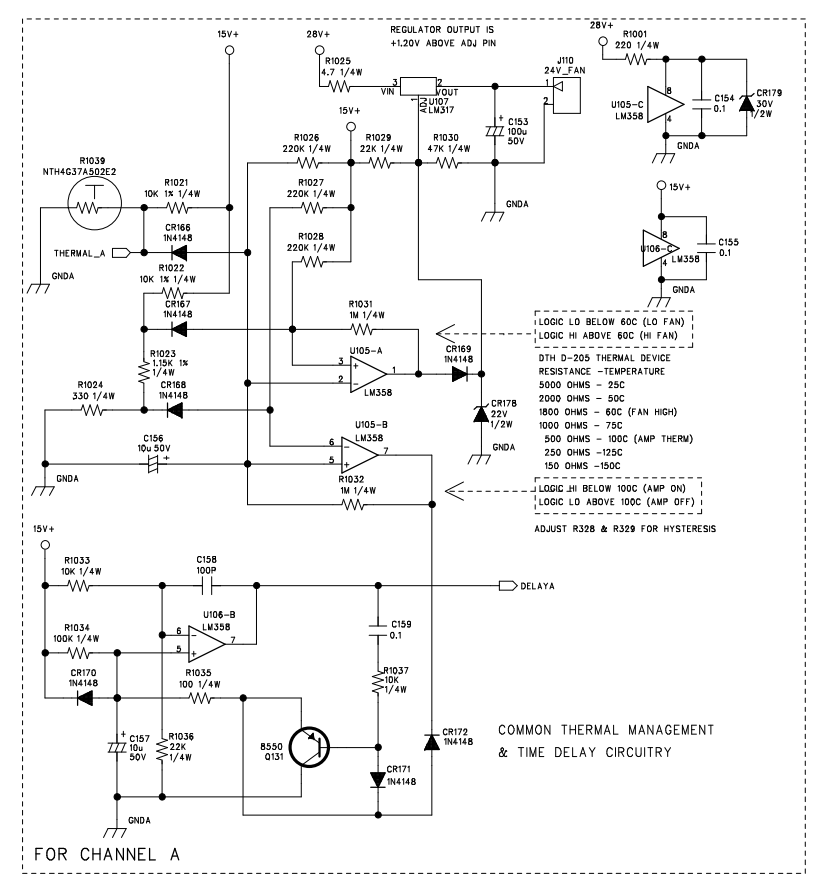
A

D

C

B

A



FOR CS1400
Q111, Q115 - N.I.
R147, R151 - N.I.

COMPANY:			
TITLE: CS1400/CS2000 POWER AMPLIFIER (CH. A)			
DRAWN:	DATED:	CODE:	SIZE:
CHECKED:	DATED:	DRAWING NO:	REV:
QUALITY CONTROL:	DATED:		01
RELEASED:	DATED:	SCALE:	SHEET: 3 OF 5

REVISION RECORD			
LTR	ECO NO:	APPROVED:	DATE:

D

D

C

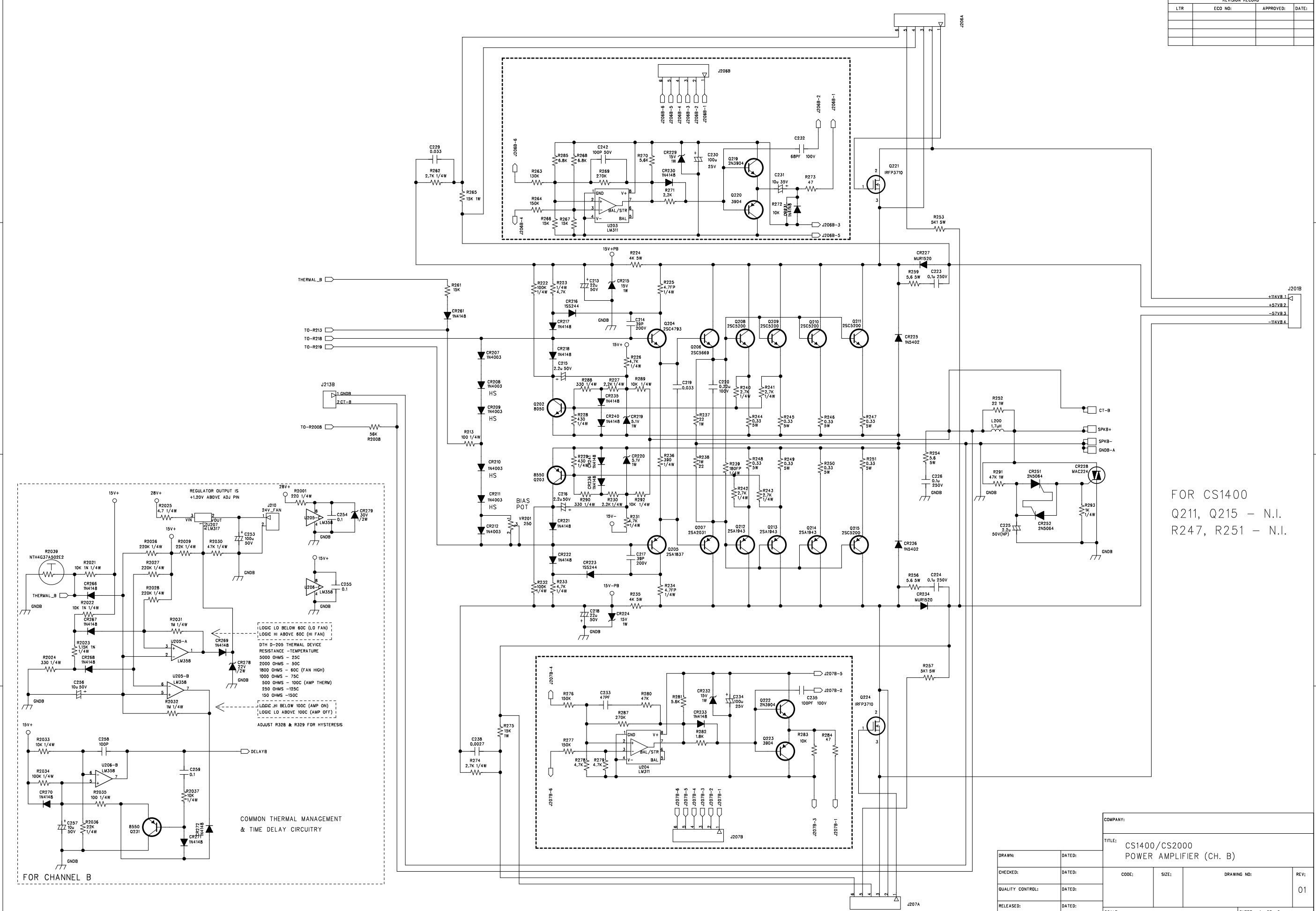
C

B

B

A

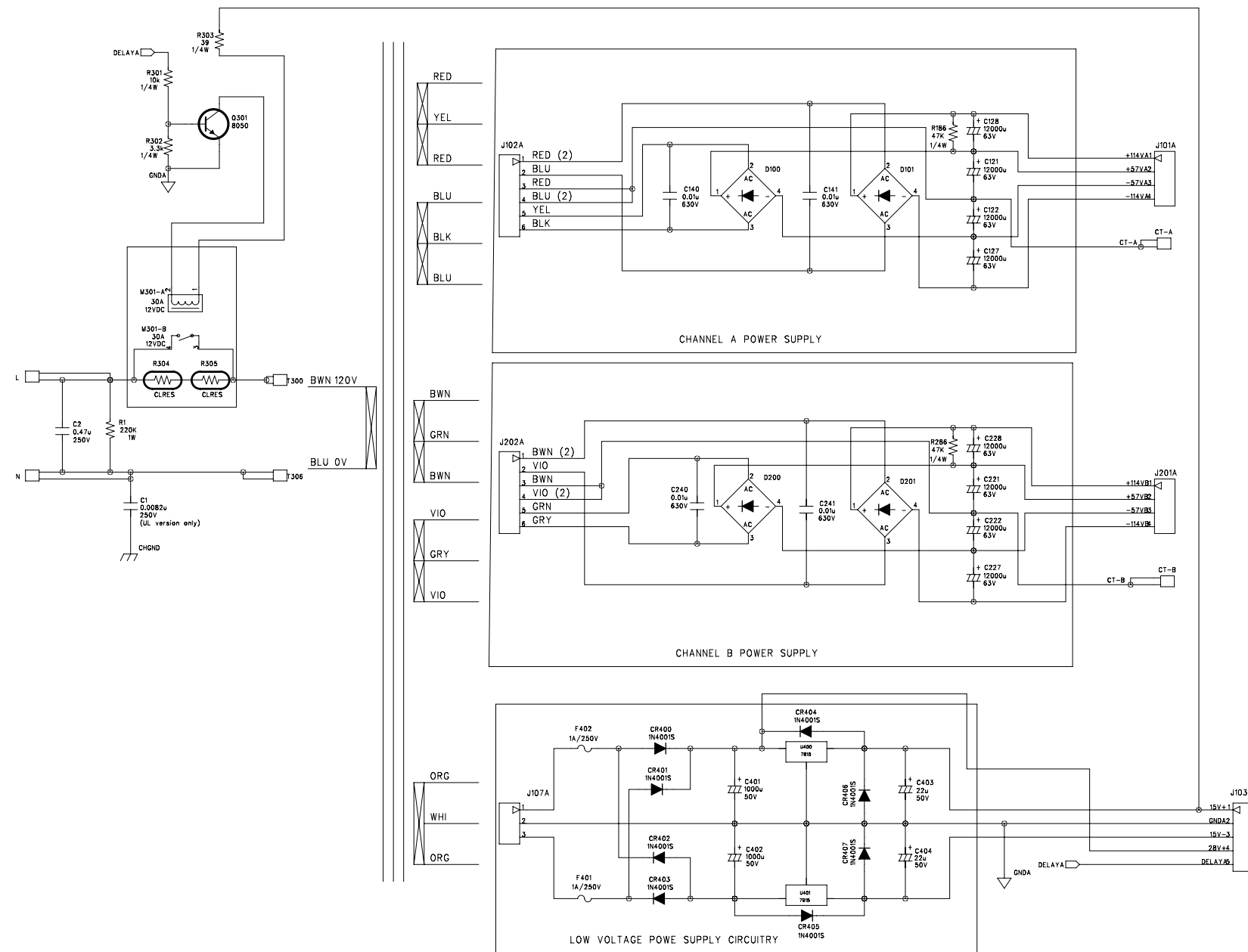
A



FOR CS1400
 Q211, Q215 - N.I.
 R247, R251 - N.I.

COMPANY:			
TITLE: CS1400/CS2000 POWER AMPLIFIER (CH. B)			
DRAWN:	DATED:	CODE:	REV:
CHECKED:	DATED:	SIZE:	DRAWING NO:
QUALITY CONTROL:	DATED:	10	
RELEASED:	DATED:	SCALE:	SHEET: 4 OF 5

REVISION RECORD			
LTR	ECO NO:	APPROVED:	DATE:

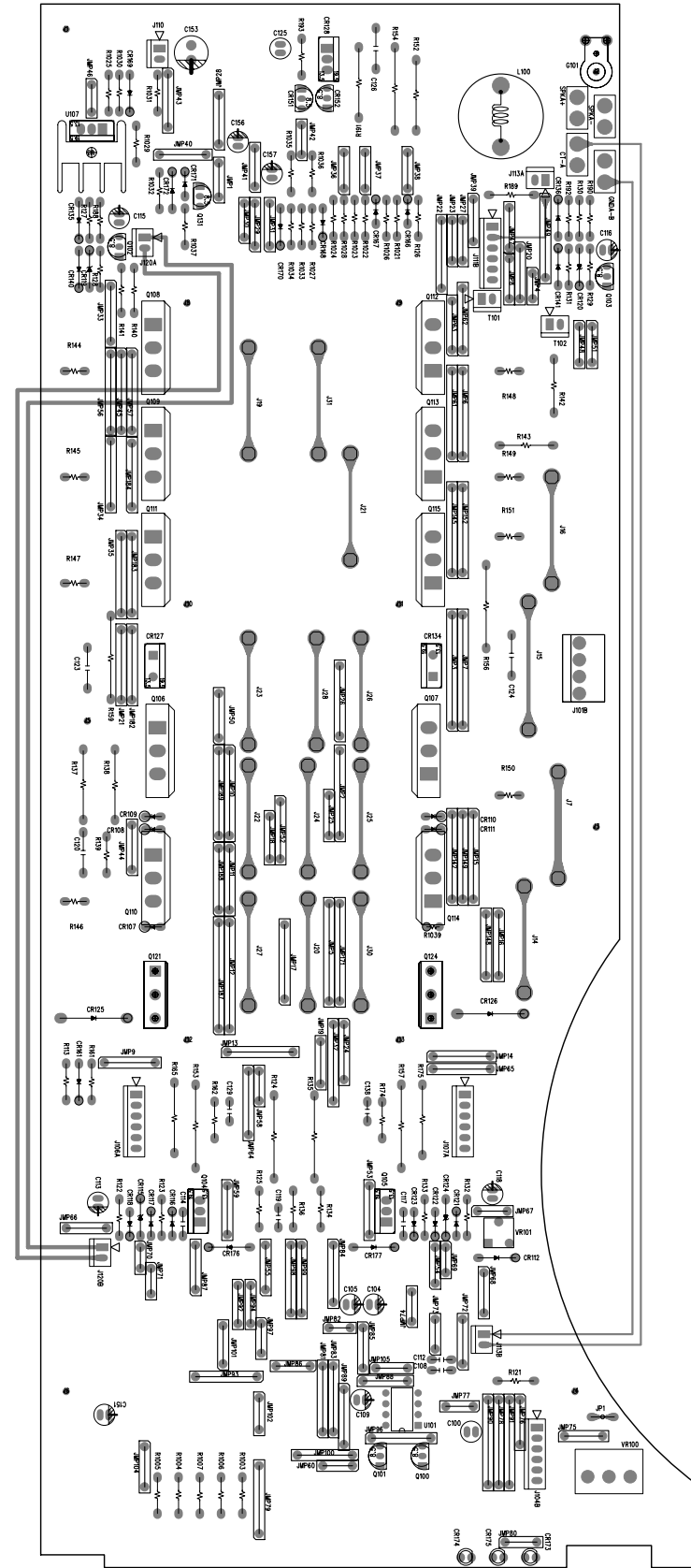


D
C
B
A

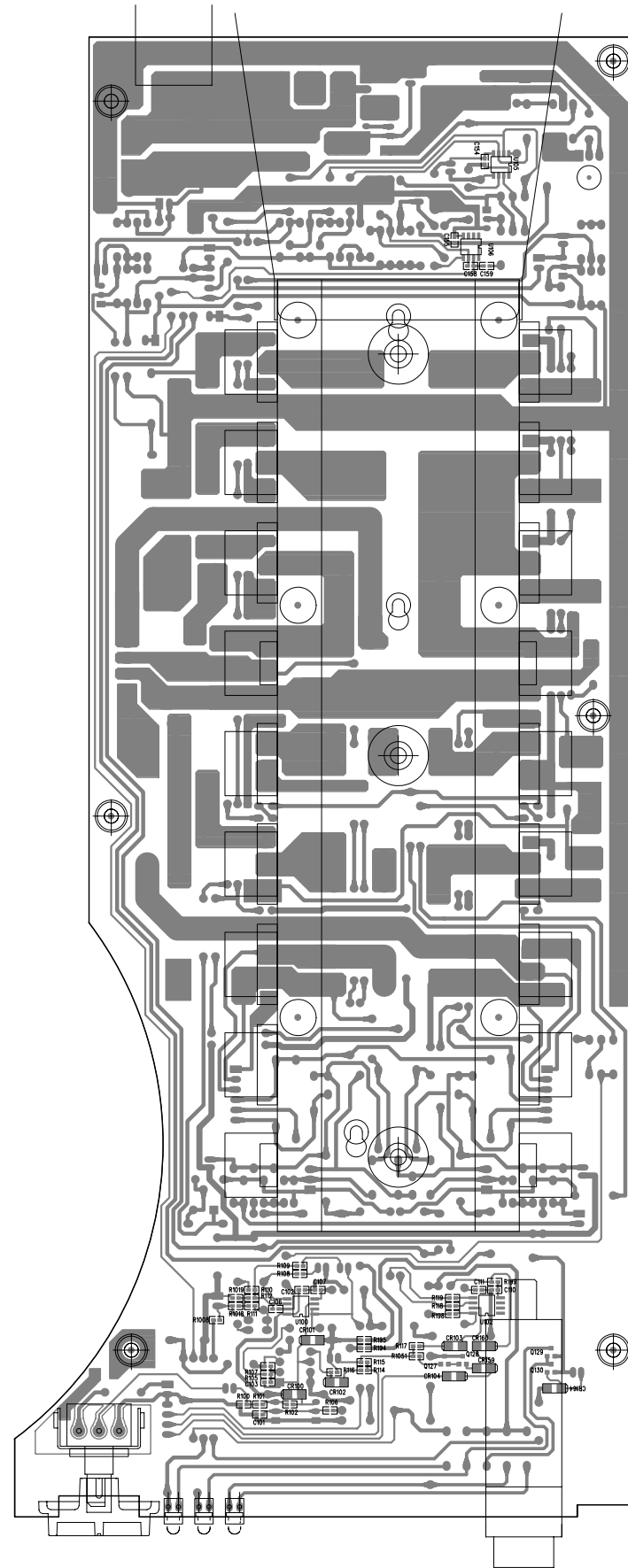
D
C
B
A

COMPANY: Peavey Electronics Inc.			
TITLE: CS1400/CS2000 PSU BOARD			
CODE:	SIZE:	DRAWING NO:	REV: 20
SCALE:			SHEET: 5 OF 5

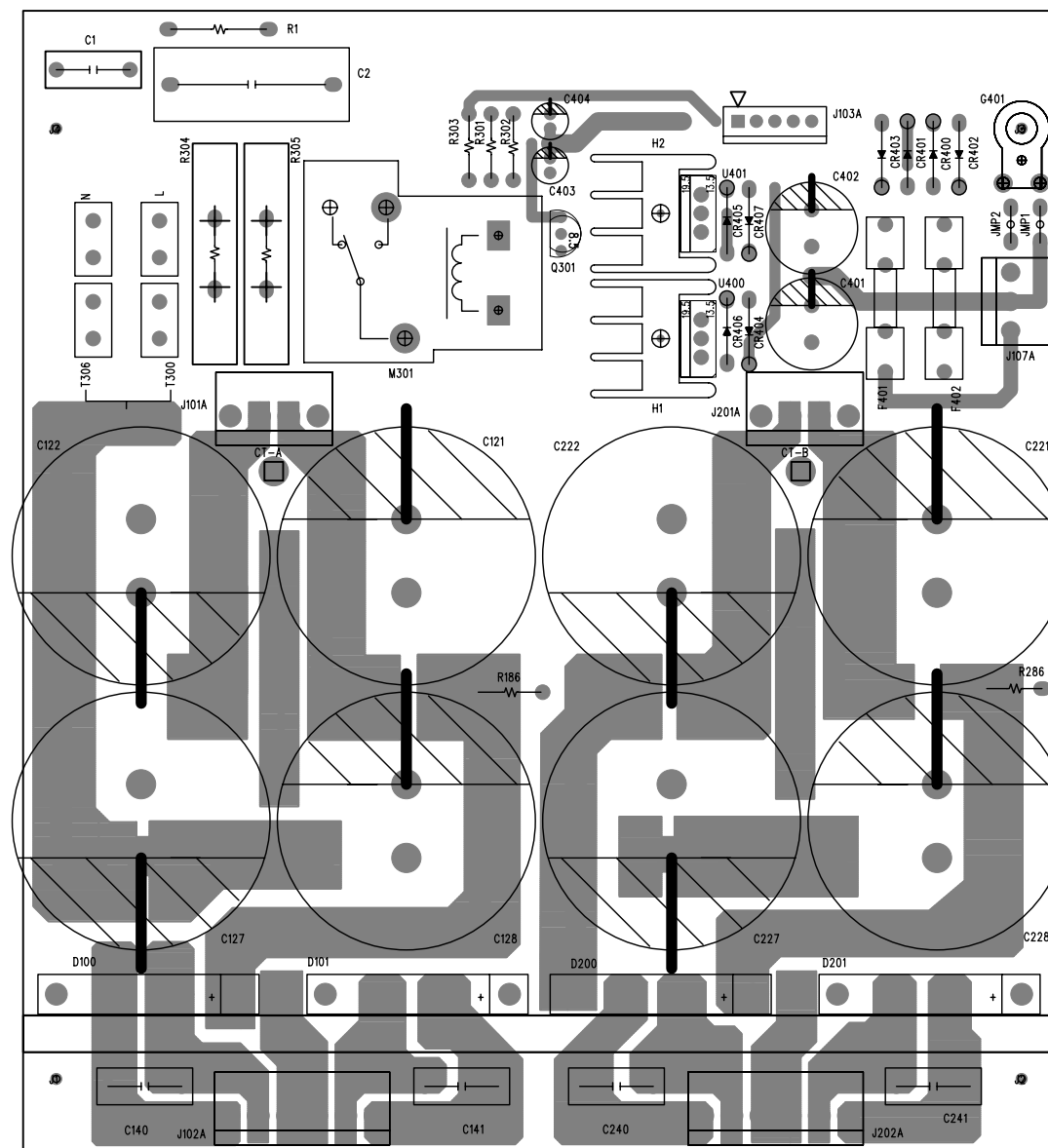
DRAWN:	DATED:
CHECKED:	DATED:
QUALITY CONTROL:	DATED:
RELEASED:	DATED:



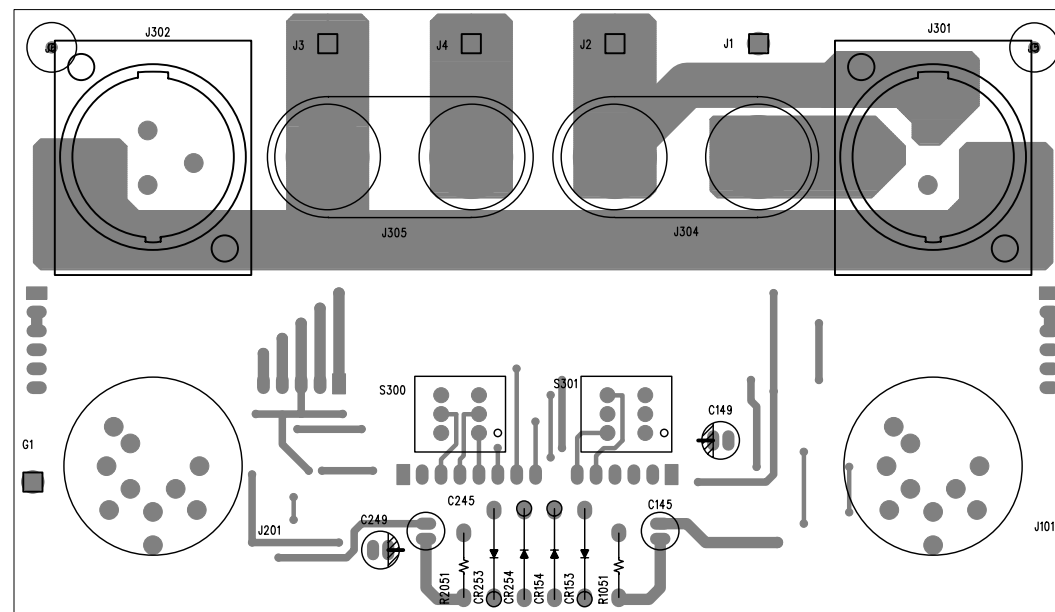
CS1400-2000 CHANNEL
PRIMARY SIDE VIEW



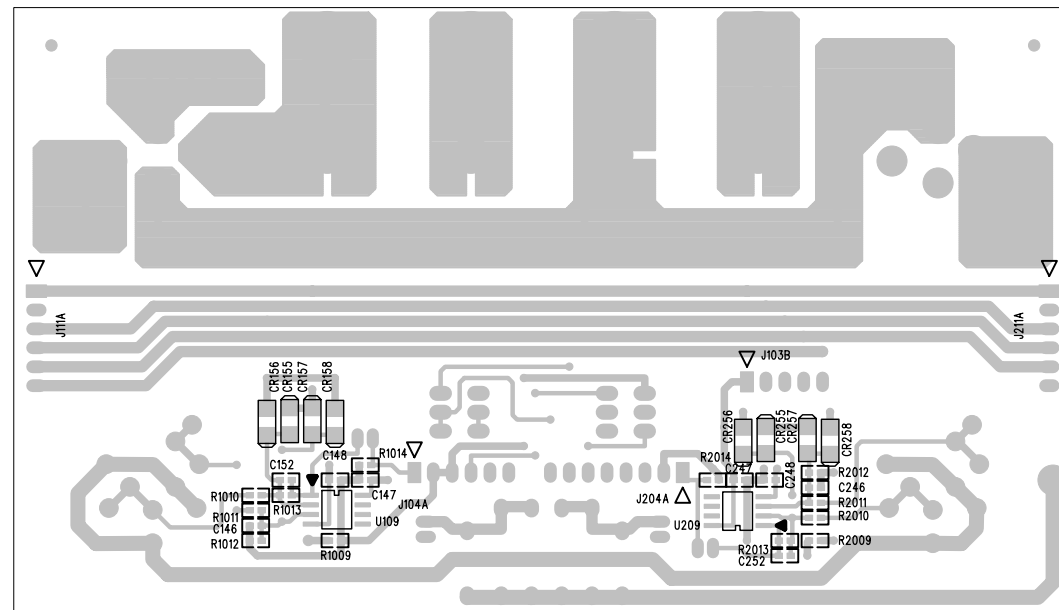
CS1400-2000 CHANNEL
SECONDARY SIDE VIEW



CS1400-2000 PSU PRIMARY SIDE VIEW



CS1400-2000 OUPUT PRIMARY SIDE



CS1400-2000 OUPUT SECONDARY SIDE