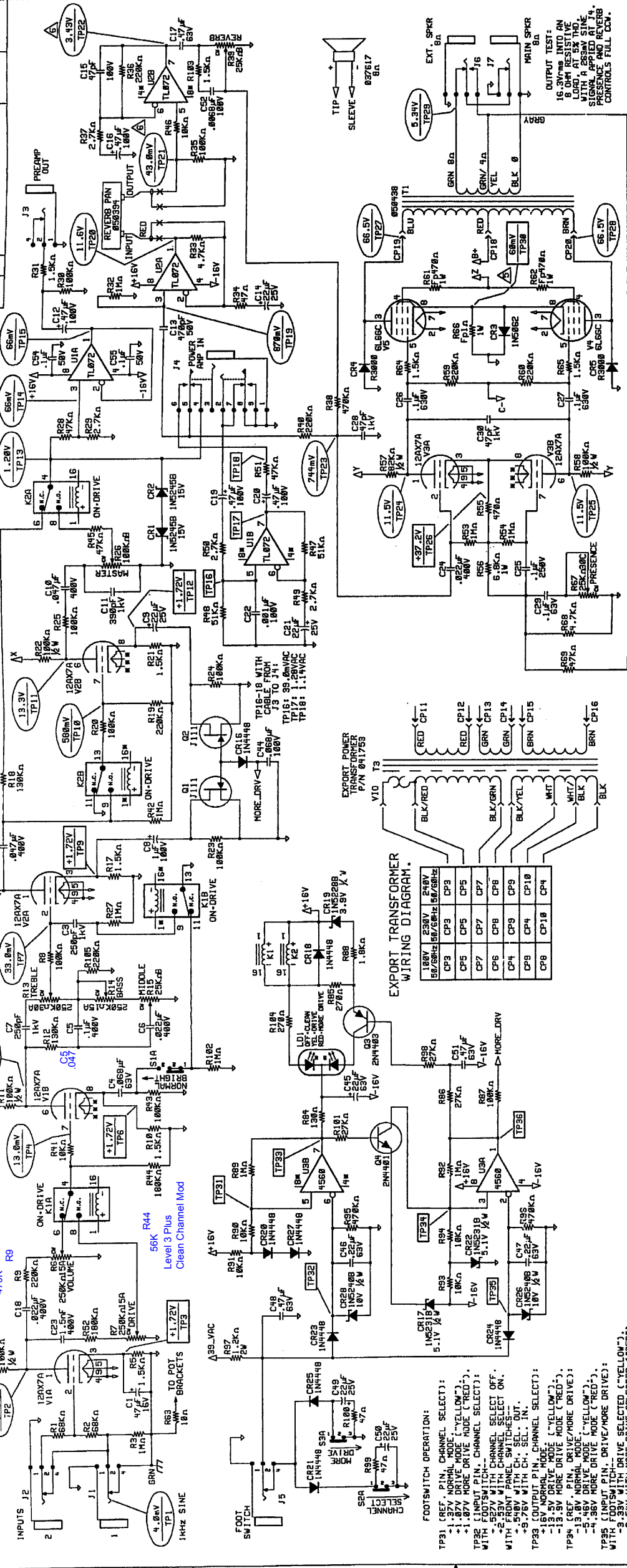


REVISIONS

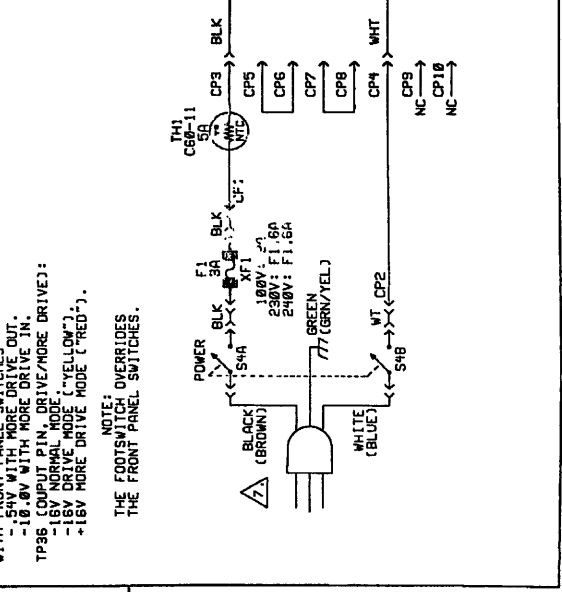
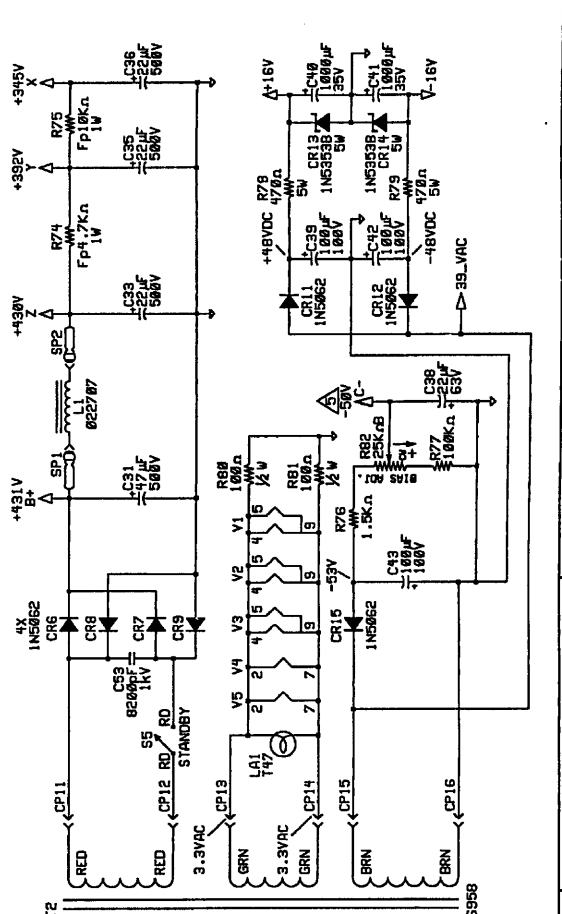
ZONE	REV.	DESCRIPTION	DATE	APPROVED
	A	RELEASED PR325	13-MAY-96	MDW
	B	EC 1701	24-MAY-96	MDW



NOTES: (UNLESS SPECIFIED OTHERWISE)

- 1.) LAST INSTANCES: C55 CP20 CR28 F1 J7 K2 L1 LA1 LD1 Q4
- 2.) SIX DIGIT NUMBERS ARE FENDER PART NUMBERS.
- 3.) ALL RESISTORS 1/4W 5% CARBON FILM.
- 4.) ALL VOLTAGES MEASURED WITH RESPECT TO GROUND USING A TRIPLE RMS DVM OF 1MΩ AC INPUT IMPEDANCE AND OF 10MΩ DC INPUT IMPEDANCE. VOLTAGES MAY VARY ±20% TEST CONDITIONS: LINE VOLTAGE 120VAC 60Hz; RESISTORS MADE WITH NO INPUT SIGNAL; ALL OTHER CONTROLS AT 50% ROTATION.

OUTPUT TEST:
16.3Vrms INTO AN 8 Ω OHM RESISTIVE LOAD AND A 200MΩ LINE SIGNAL APPLIED AT J4. PRESENCE AND REVERSE CONTROLS FULL CCW.



MUSICAL INSTRUMENTS
2621 Research Dr. Ives
Corona, CA 91720 USA

PROPRIETARY
THIS INSTRUMENT IS THE PROPERTY OF MUSICAL INSTRUMENTS. IT IS NOT TO BE REPRODUCED, COPIED, OR TRANSMITTED IN ANY FORM OR BY ANY MEANS, ELECTRONIC OR MECHANICAL, INCLUDING PHOTOCOPYING, RECORDING, OR BY ANY INFORMATION STORAGE AND RETRIEVAL SYSTEM.

CHECKED BY: JLLA
DATE: 08-MAY-96
APPROVED: MDW
DATE: 13-MAY-96

TOLERANCES: RESISTORS: ±1%
CAPACITORS: ±5%
DIMENSIONS: ±0.1"
ANGLES: X.00°

SIZE: DRAWING: UTILIZATION: DRAWING NUMBER: 050397 B
REV.: 1 OF 1

TITLE: SCHEMATIC DIAGRAM

SCALE: NONE (PRINTED) 1:1 (AS SHOWN) 1 OF 1

1 2 3 4 5 6 7 8

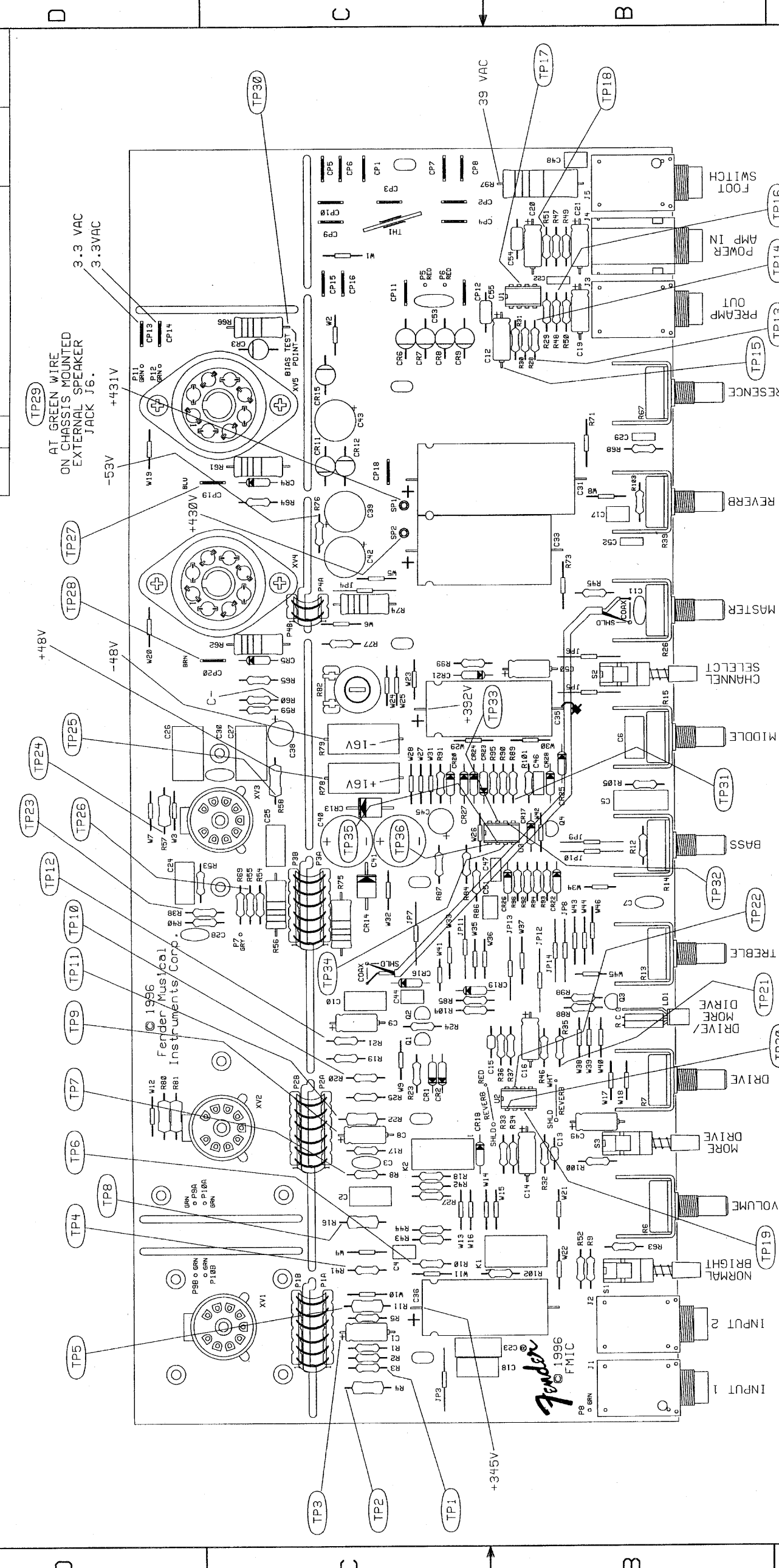
Level 3 Plus
Clean Channel Mod

56K R44
Level 3 Plus
Clean Channel Mod

180mV TP2
10KΩ R1
10KΩ R2
10KΩ R3
10KΩ R4
10KΩ R5
10KΩ R6
10KΩ R7
10KΩ R8
10KΩ R9
10KΩ R10
10KΩ R11
10KΩ R12
10KΩ R13
10KΩ R14
10KΩ R15
10KΩ R16
10KΩ R17
10KΩ R18
10KΩ R19
10KΩ R20
10KΩ R21
10KΩ R22
10KΩ R23
10KΩ R24
10KΩ R25
10KΩ R26
10KΩ R27
10KΩ R28
10KΩ R29
10KΩ R30
10KΩ R31
10KΩ R32
10KΩ R33
10KΩ R34
10KΩ R35
10KΩ R36
10KΩ R37
10KΩ R38
10KΩ R39
10KΩ R40
10KΩ R41
10KΩ R42
10KΩ R43
10KΩ R44
10KΩ R45
10KΩ R46
10KΩ R47
10KΩ R48
10KΩ R49
10KΩ R50
10KΩ R51
10KΩ R52
10KΩ R53
10KΩ R54
10KΩ R55
10KΩ R56
10KΩ R57
10KΩ R58
10KΩ R59
10KΩ R60
10KΩ R61
10KΩ R62
10KΩ R63
10KΩ R64
10KΩ R65
10KΩ R66
10KΩ R67
10KΩ R68
10KΩ R69
10KΩ R70
10KΩ R71
10KΩ R72
10KΩ R73
10KΩ R74
10KΩ R75
10KΩ R76
10KΩ R77
10KΩ R78
10KΩ R79
10KΩ R80
10KΩ R81
10KΩ R82
10KΩ R83
10KΩ R84
10KΩ R85
10KΩ R86
10KΩ R87
10KΩ R88
10KΩ R89
10KΩ R90
10KΩ R91
10KΩ R92
10KΩ R93
10KΩ R94
10KΩ R95
10KΩ R96
10KΩ R97
10KΩ R98
10KΩ R99

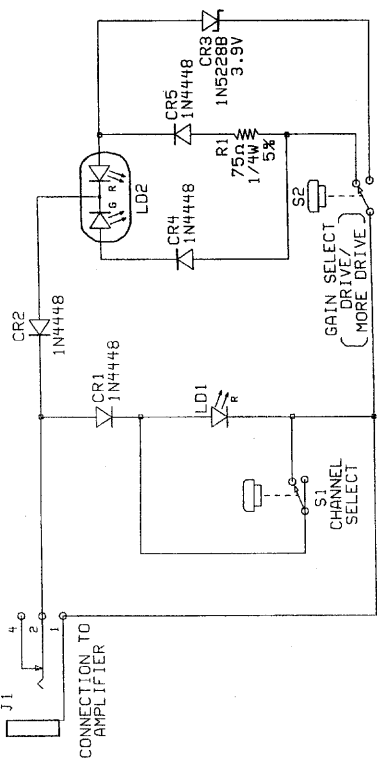
8 7 6 5 4 3 2 1

REVISIONS		DATE	APPROVED
ZONE	REV. DESCRIPTION	13-MAY-96	MDW
	A RELEASED PR325		



FILM/DWG: SERVICE DIAGRAM
 DATABASE: Z325PA.DBF DATE: 12-JUN-96
 LAYERS PLOTTED: 1 2 3 4 10
 18

SCHEMATIC FOR FOOTSWITCH ASSEMBLY 050419.



NOTES:
 1.) WIRES NOT SHOWN FOR CLARITY.

Fender MUSICAL INSTRUMENTS
 2621 Research Drive
 Corona, CA 91720 USA

TITLE: SERVICE DIAGRAM
 HOT ROD DELUXE.

SIZE: C DRAWN: M. WILKENS DRAWING NUMBER: 050399 A REV. 1
 ENGR: M. WILKENS
 SCALE: NONE PLOTTED: 12-JUN-96 SHEET 1 OF 1

PROPRIETARY
 THIS DRAWING DOCUMENT CONTAINS INFORMATION WHICH IS PROPRIETARY TO AND IS THE PROPERTY OF FENDER. IT IS TO BE USED, REPRODUCED OR DISCLOSED IN ANY MANNER WITHOUT THE EXPRESSED WRITTEN CONSENT FROM:
 FENDER MUSICAL INSTRUMENTS CO.
 2621 RESEARCH DRIVE
 CORONA, CA 91720 USA
 IT IS TIME...

DATABASE FILE: Z325PA.DBF
 CHECKED BY: JLA
 DATE: 08-MAY-96
 APPROVED: MDW
 DATE: 13-MAY-96
 TOLERANCES: UNLESS OTHERWISE NOTED
 X.X ±0.050"
 X.XX ±0.010"
 X.XXX ±0.005"
 ANGLES ±0.500°

D C B A

1 2 3 4 5 6 7 8