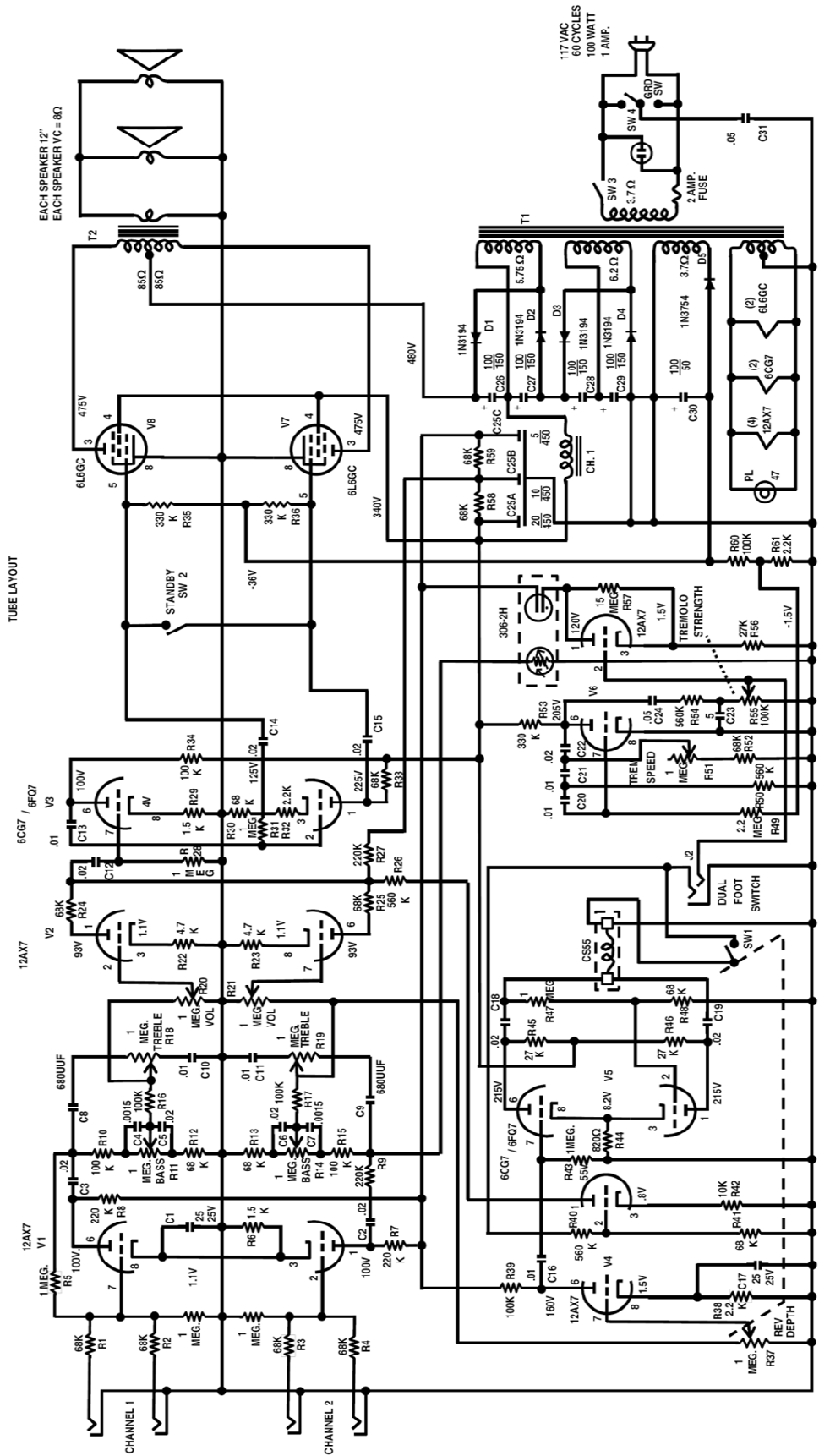
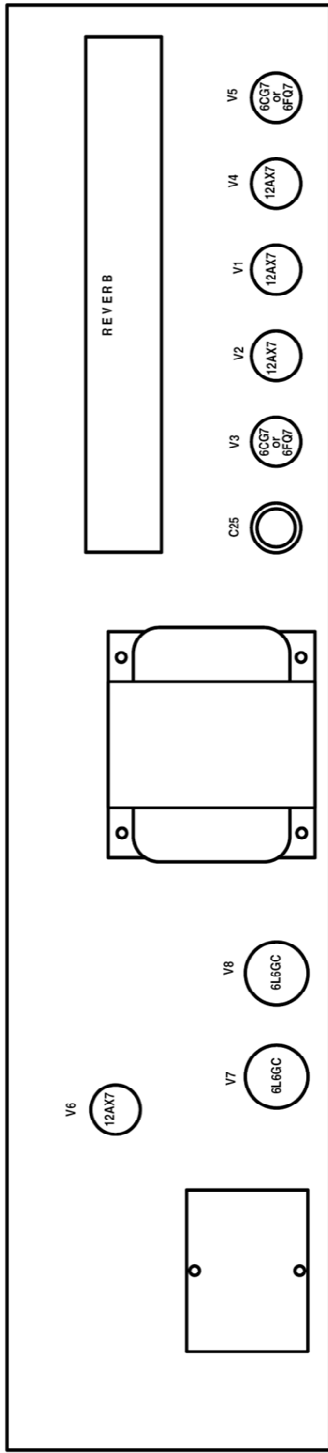


**NOTES:**

1. VALUES OF CAPACITORS IN MFD  
ALL RESISTORS ARE 1/2 WATT UNLESS  
OTHERWISE NOTED.
2. VOLTAGES MEASURED FROM POINTS  
INDICATED TO CHASSIS WITH 20,000  
OHMVOLT METER.



SCHEMATIC DIAGRAM OF SILVERTONE CHASSIS 185.11040