

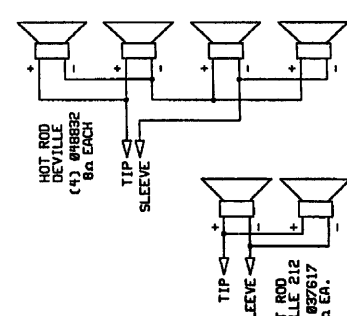
**MUSICAL INSTRUMENTS**  
 EDEL RESEARCH DIV. OF  
 GENERAL ELECTRIC  
 CORPORATION, CA. 91728 USA

**TITLE: SCHEMATIC DIAGRAM**  
 HOT ROD DEVILLE

**SIZE:** DRAWING NUMBER 0505384 B  
 REVISIONS: 1-1-AUG-56  
 2-1-AUG-56  
 3-1-AUG-56  
 4-1-AUG-56  
 5-1-AUG-56  
 6-1-AUG-56  
 7-1-AUG-56  
 8-1-AUG-56

**SCALE:** NONE (NOTED: 12-JUN-56)

**REVISIONS:** 1 OF 1



**REVISIONS**

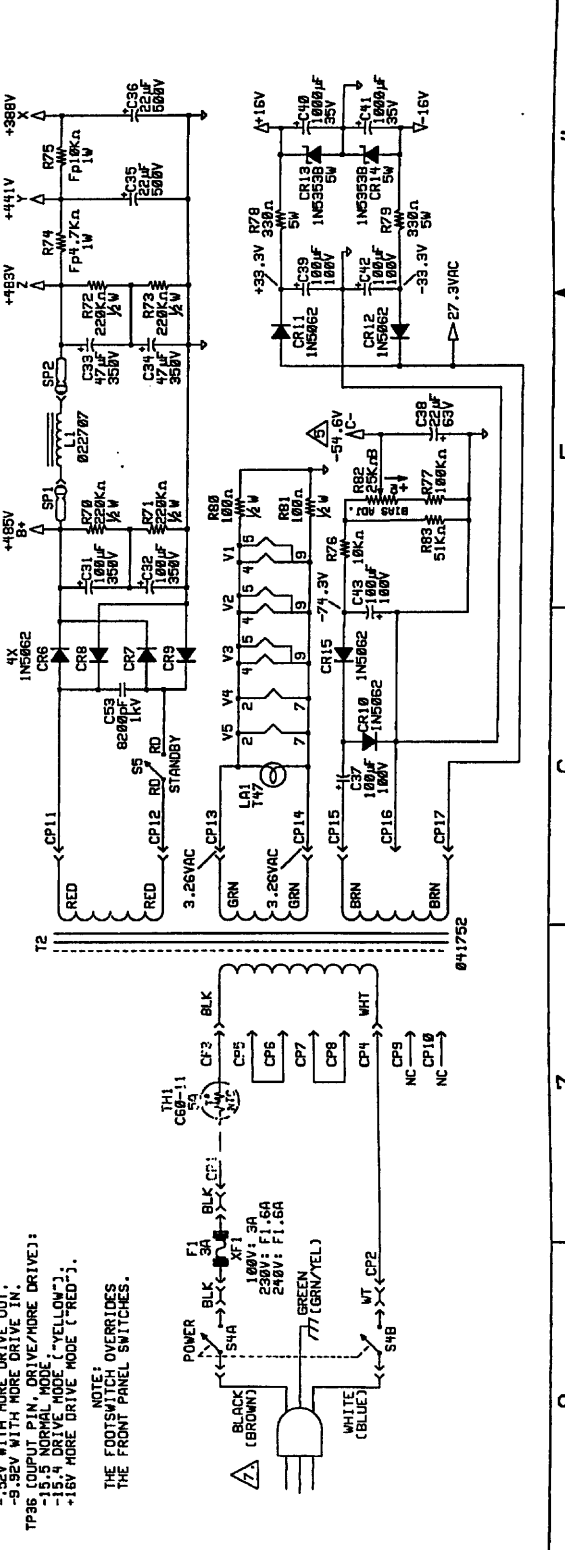
ZONE	REV.	DESCRIPTION	DATE	APPROVED
	A	RELEASED PR323	19-MAY-56	MDW
	B	EC 1701	24-MAY-56	MDW

**EXPORT TRANSFORMER WIRING DIAGRAM.**

WIRE COLOR	WIRE GAUGE	WIRE TYPE
RED	CP11	RED
RED	CP12	RED
GRN	CP13	GRN
GRN	CP14	GRN
BRN	CP15	BRN
BLK	CP16	BLK

**FOOTSWITCH OPERATION:**  
 TP31 (REF PIN, CHANNEL SELECT):  
 +1.88V NORMAL MODE ("YELLOW").  
 +1.88V DRIVE MODE ("RED").  
 TP32 (INPUT PIN, CHANNEL SELECT):  
 WITH FOOTSWITCH--  
 +2.6V WITH CHANNEL SELECT OFF.  
 WITH FRONT PANEL SWITCHES--  
 +.55V WITH CH. SEL. IN.  
 TP33 (OUTPUT PIN, CHANNEL SELECT):  
 +1.5V NORMAL MODE ("YELLOW").  
 +1.5V DRIVE MODE ("RED").  
 TP34 (REF. PIN, DRIVE/MORE DRIVE):  
 -1.25V NORMAL MODE ("YELLOW").  
 -1.25V DRIVE MODE ("RED").  
 TP35 (INPUT PIN, DRIVE/MORE DRIVE):  
 WITH FOOTSWITCH DRIVE MODE ("YELLOW").  
 WITH FRONT PANEL SWITCHES--  
 -6.52V WITH MORE DRIVE SELECTED ("RED").  
 -5.52V WITH MORE DRIVE IN.  
 TP36 (OUTPUT PIN, DRIVE/MORE DRIVE):  
 -1.9V DRIVE MODE ("YELLOW").  
 -1.9V DRIVE MODE ("RED").  
 -1.6V DRIVE MODE ("RED").

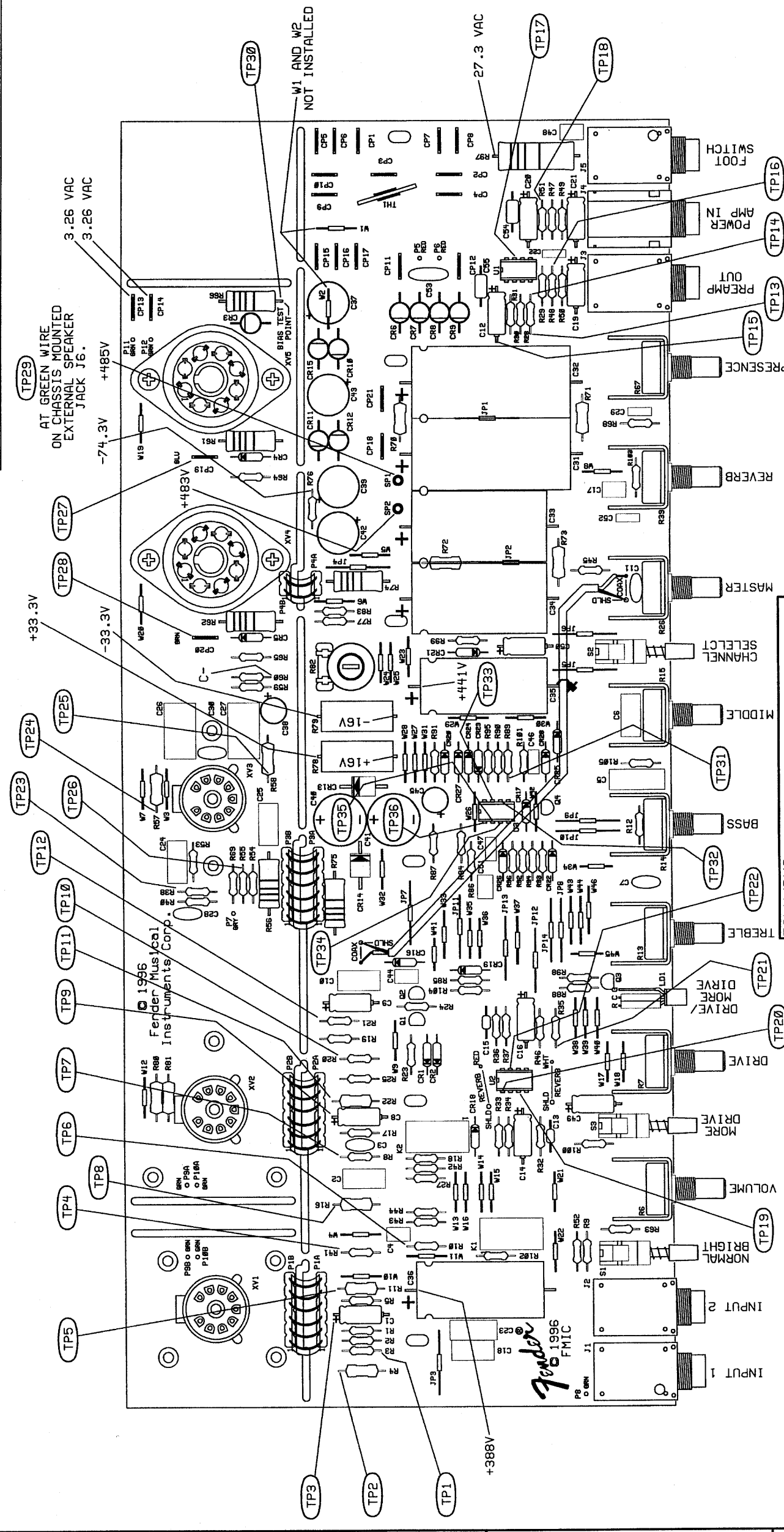
**NOTE:** THE FOOTSWITCH OVERLAPES THE FRONT PANEL SWITCHES.



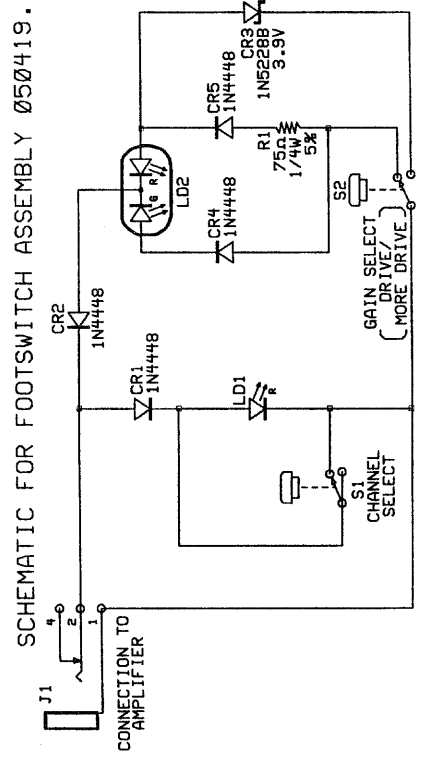
1 2 3 4 5 6 7 8

REVISIONS		DATE	APPROVED
ZONE	DESCRIPTION	13-MAY-96	MDW
A	RELEASED PR323		

NOTES:  
1.3 WIRES NOT SHOWN FOR CLARITY.



FILM/DWG: SERVICE DIAGRAM  
 DATABASE: Z323P.DBF DATE: 28-APR-96  
 LAYERS PLOTTED: 1 2 3 4 18



PROPRIETARY  
 THIS DRAWING DOCUMENT CONTAINS  
 INFORMATION WHICH IS PROPRIETARY  
 TO AND IS THE PROPERTY OF THE  
 FENDER MUSICAL INSTRUMENTS CO.  
 AND MAY NOT BE USED, REPRODUCED  
 OR TRANSMITTED IN ANY FORM OR  
 BY ANY MEANS, ELECTRONIC OR  
 MECHANICAL, INCLUDING PHOTOCOPYING,  
 RECORDING, OR BY ANY INFORMATION  
 STORAGE AND RETRIEVAL SYSTEM,  
 WITHOUT THE EXPRESS WRITTEN  
 CONSENT FROM:  
 FENDER MUSICAL INSTRUMENTS CO.  
 REGIONAL HEADQUARTERS  
 2621 Research Dr-1vc  
 Corona, CA 91720 USA  
 IT IS TIME...  
 NEXT HIGHER ASSEMBLY:

MUSICAL INSTRUMENTS  
 2621 Research Dr-1vc  
 Corona, CA 91720 USA  
 TITLE: SERVICE DIAGRAM  
 H/R DEVILLE, H/R DEVILLE 212.  
 SIZE: C  
 DRAWN: M.WILKENS  
 DRAWING NUMBER: 050386  
 ENGR: M.WILKENS  
 REV. A  
 SCALE: NONE  
 CREATED: 07-MAY-96  
 PLOTTED: 28-APR-96  
 SHEET 1 OF 1

1 2 3 4 5 6 7 8