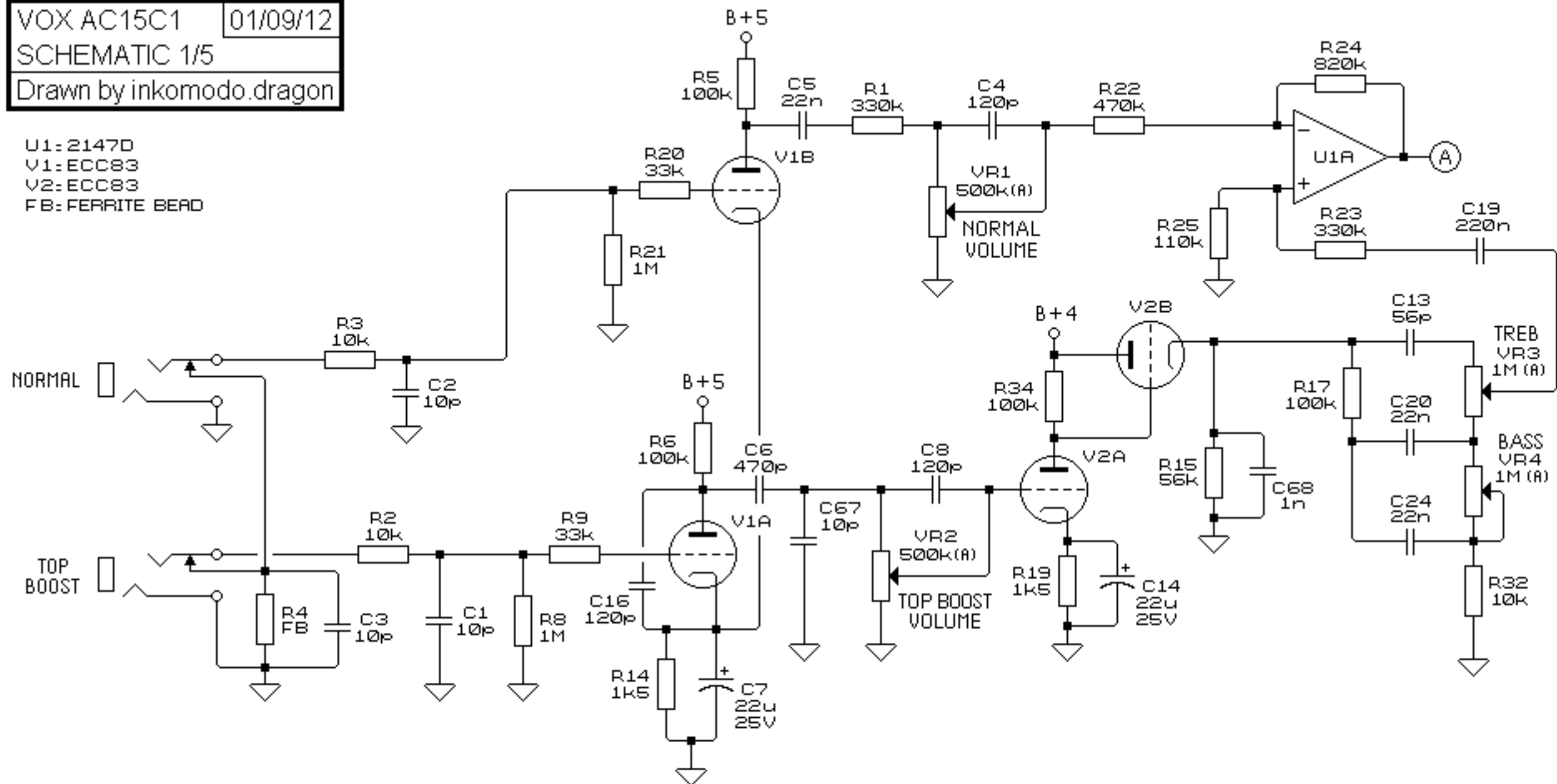


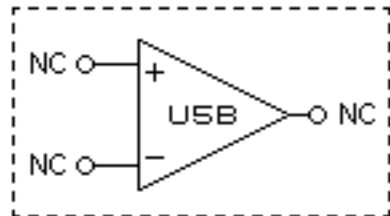
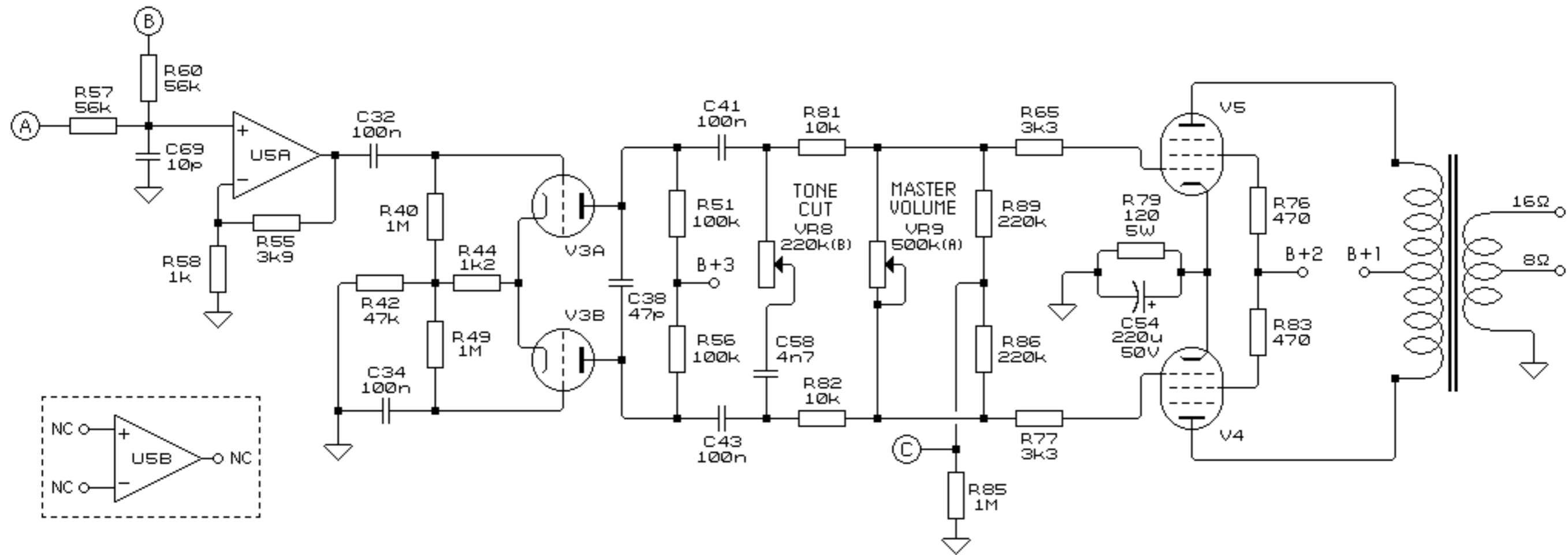
VOX AC15C1 01/09/12
 SCHEMATIC 1/5
 Drawn by inkomodo.dragon

U1: 2147D
 V1: ECC83
 V2: ECC83
 FB: FERRITE BEAD



VOX AC15C1 01/09/12
 SCHEMATIC 2/5
 Drawn by inkomodo.dragon

U5: 2147D
 V3: ECC83
 V4: 6BQ5
 V5: 6BQ5

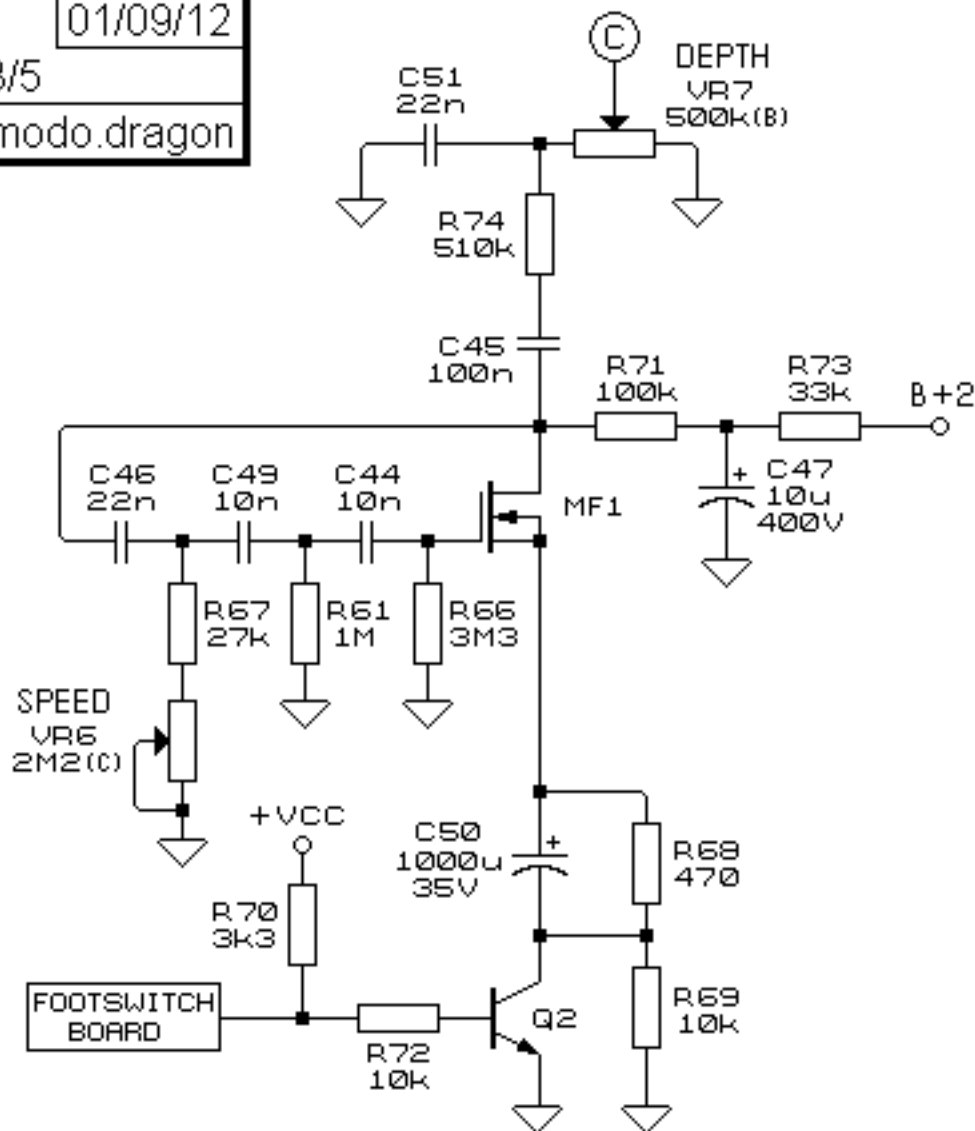


VOX AC15C1

01/09/12

SCHEMATIC 3/5

Drawn by inkomodo.dragon

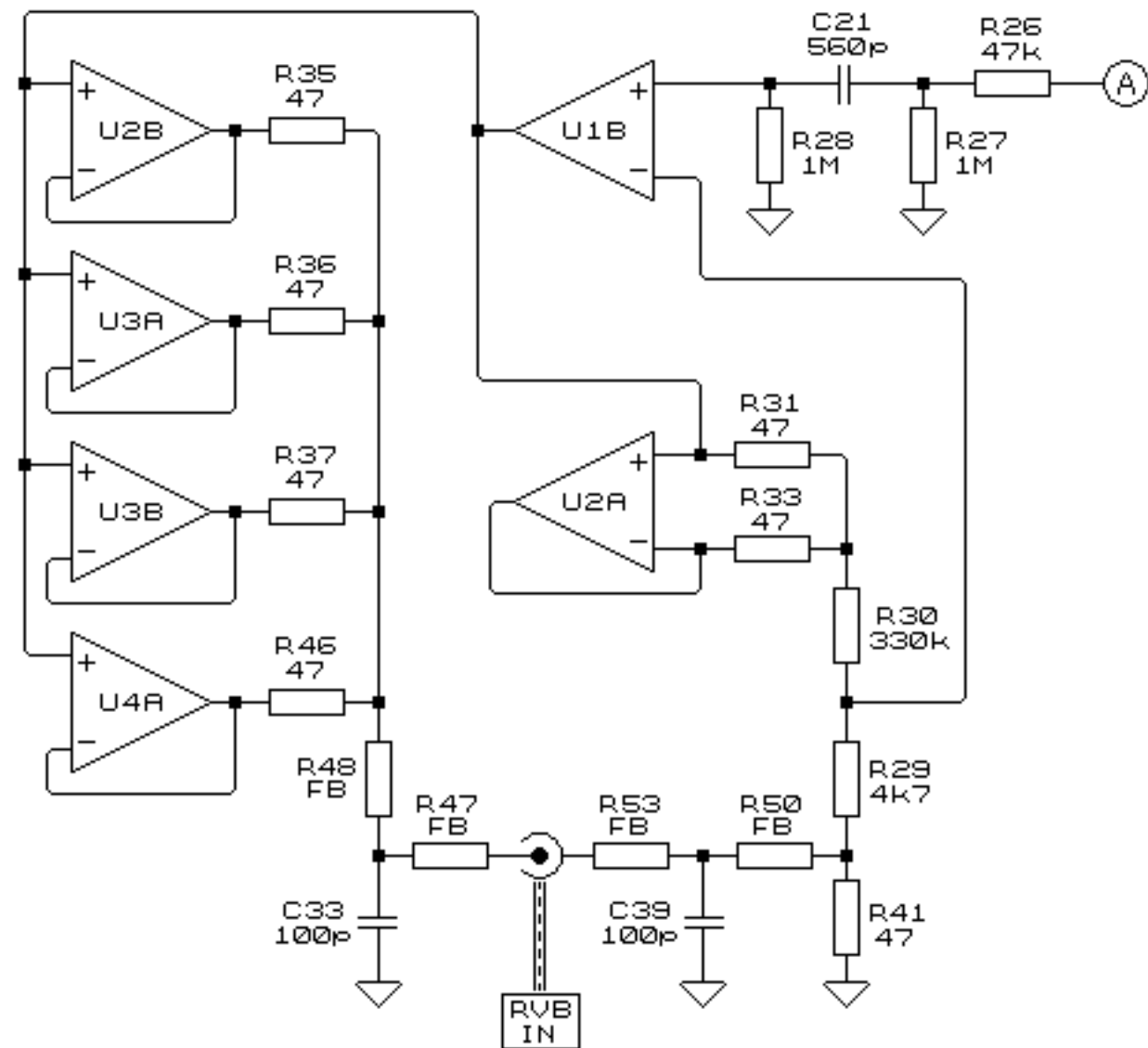
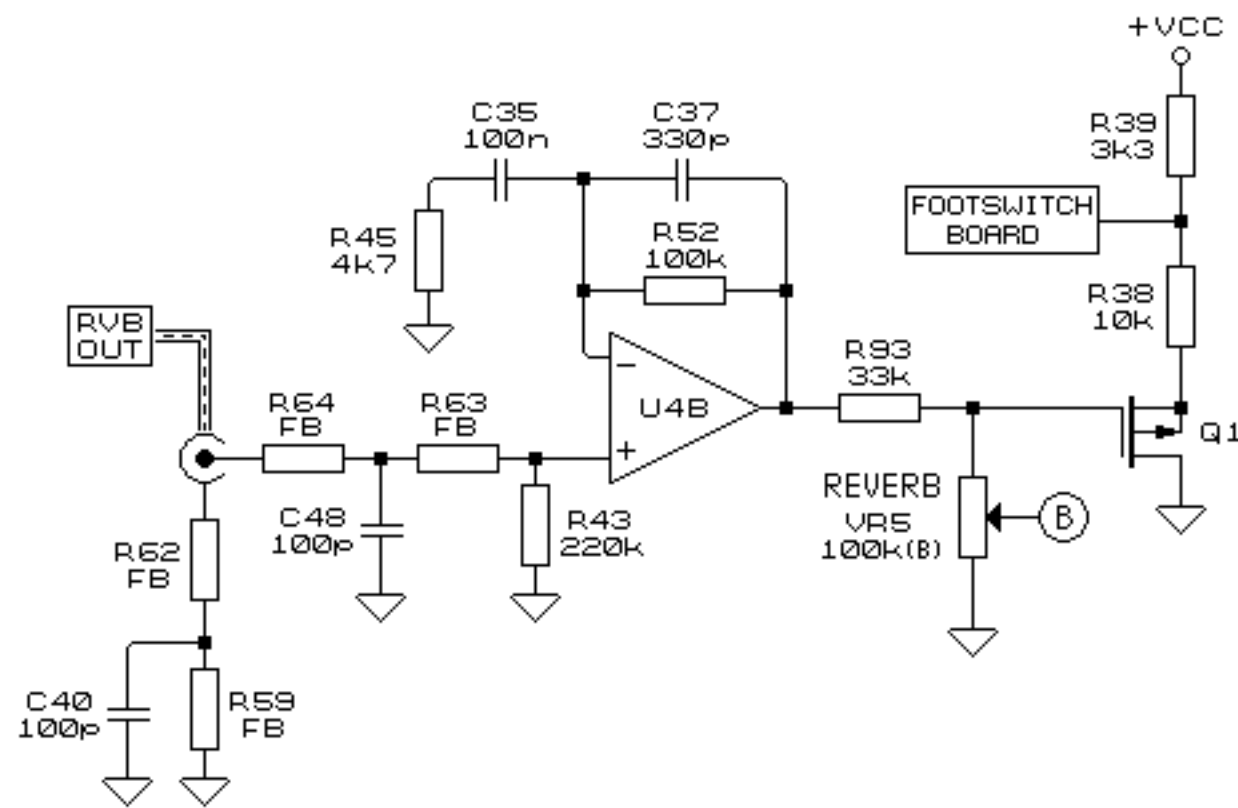
MF1: LND150
Q2: 2SC2910

VOX AC15C1 01/09/12

SCHEMATIC 4/5

Drawn by inkomodo.dragon

Q1: J174
 U1: 2147D
 U2: 2147D
 U3: 2147D
 U4: 2147D
 FB: FERRITE BEAD



VOX AC15C1 13/09/12
 SCHEMATIC 5/5 REV 2
 Drawn by inkomodo.dragon

F0: 630mAL (250V)
 F1: 250mAL (250V)
 F2: 6,3AL (250V)
 F3: 2,2Ω (1/5)
 R0: CURRENT LIMITER
 BR1: KBU4A

