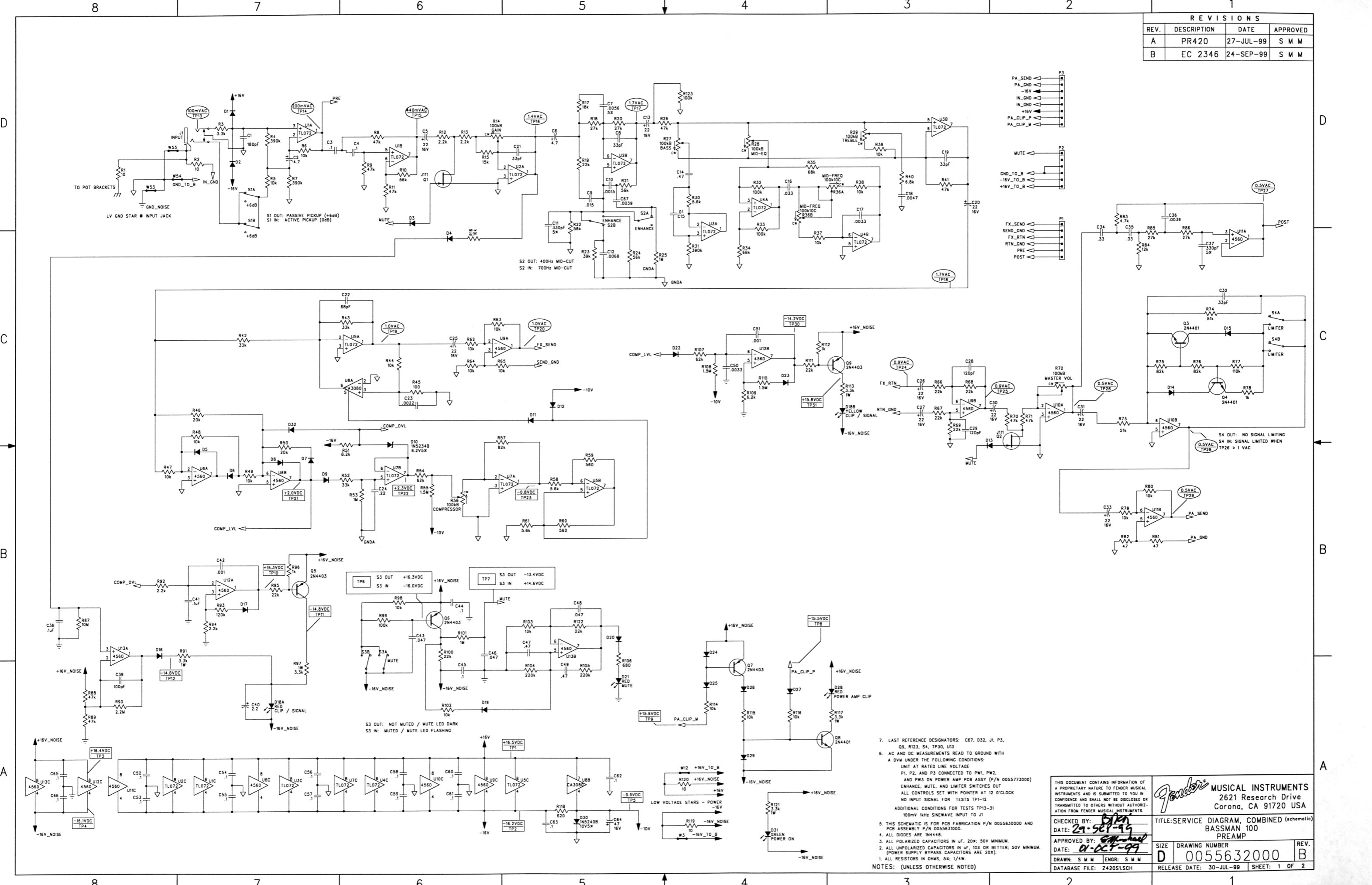
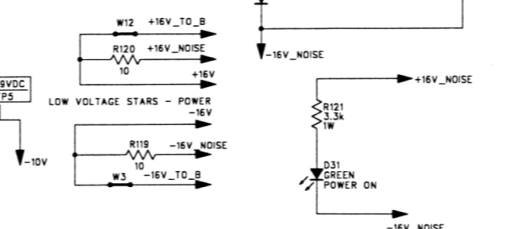
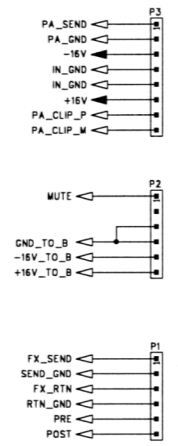


REVISIONS			
REV.	DESCRIPTION	DATE	APPROVED
A	PR420	27-JUL-99	S M M
B	EC 2346	24-SEP-99	S M M



7. LAST REFERENCE DESIGNATORS: C67, D32, J1, P3, Q9, R123, S4, TP30, U13
8. AC AND DC MEASUREMENTS READ TO GROUND WITH A DVM UNDER THE FOLLOWING CONDITIONS:  
UNIT AT RATED LINE VOLTAGE  
P1, P2, AND P3 CONNECTED TO PW1, PW2, AND PW3 ON POWER AMP PCB ASSY (P/N 005573000)  
ENHANCE, MUTE, AND LIMITER SWITCHES OUT  
ALL CONTROLS SET WITH POINTER AT 12 O'CLOCK  
NO INPUT SIGNAL FOR TESTS TP1-12  
ADDITIONAL CONDITIONS FOR TESTS TP13-31  
100mV 1kHz SINEWAVE INPUT TO J1
9. THIS SCHEMATIC IS FOR PCB FABRICATION P/N 0055630000 AND PCB ASSEMBLY P/N 0055631000.
10. ALL DIODES ARE 1N4448.
11. ALL POLARIZED CAPACITORS IN uF, 20% SOV MINIMUM.
12. ALL UNPOLARIZED CAPACITORS IN uF, 10% OR BETTER; 50V MINIMUM. (POWER SUPPLY BYPASS CAPACITORS ARE 20%).
13. ALL RESISTORS IN OHMS, 5% 1/4W.

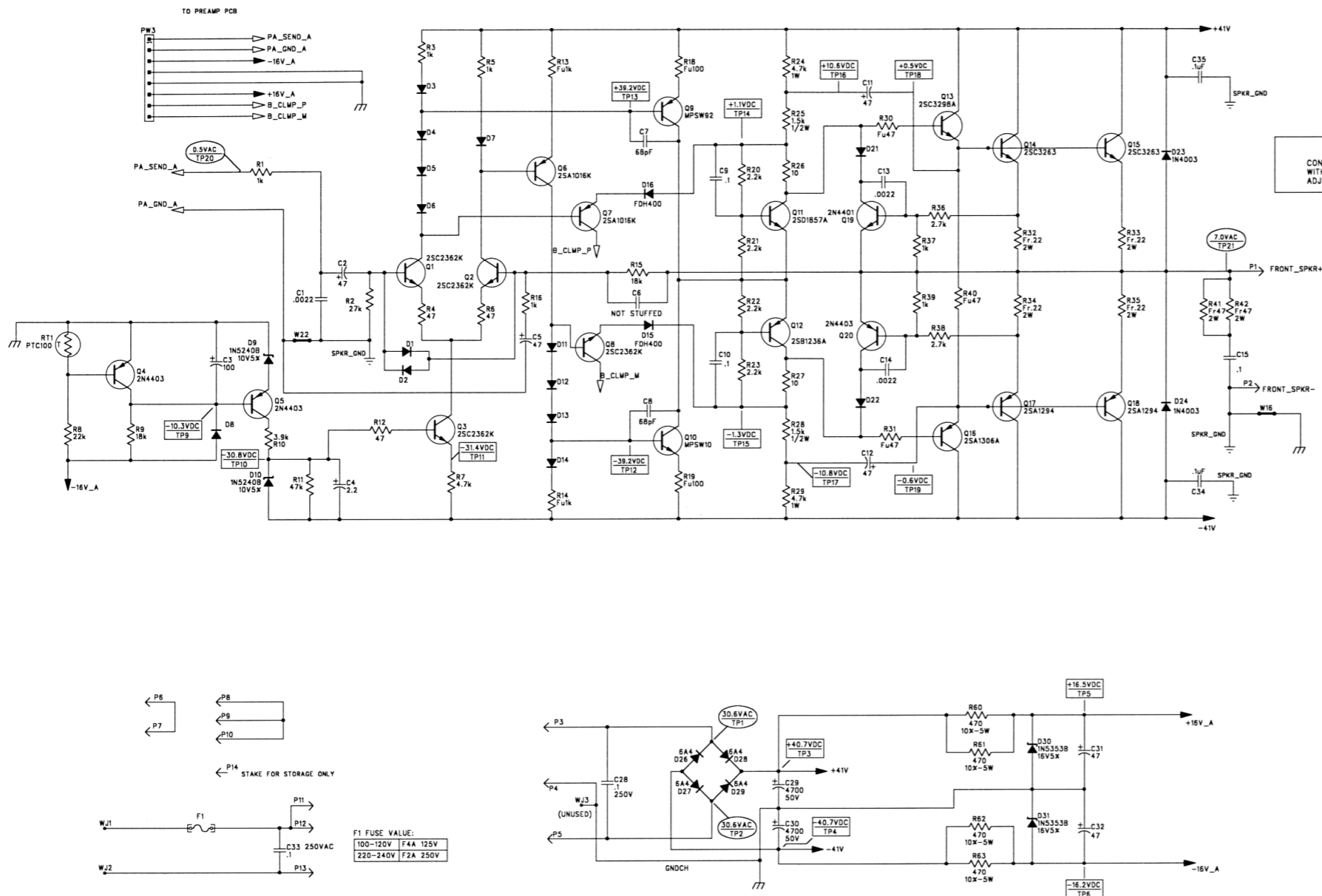
THIS DOCUMENT CONTAINS INFORMATION OF A PROPRIETARY NATURE TO FENDER MUSICAL INSTRUMENTS AND IS SUBMITTED TO YOU IN CONFIDENCE AND SHALL NOT BE DISCLOSED OR TRANSMITTED TO OTHERS WITHOUT AUTHORIZATION FROM FENDER MUSICAL INSTRUMENTS.		<b>MUSICAL INSTRUMENTS</b> 2621 Research Drive Corona, CA 91720 USA	
CHECKED BY: <i>[Signature]</i>	DATE: <i>29-567-99</i>	TITLE: SERVICE DIAGRAM, COMBINED (schematic) BASSMAN 100 PREAMP	
APPROVED BY: <i>[Signature]</i>	DATE: <i>01-027-99</i>	SIZE: <b>D</b>	DRAWING NUMBER: <b>0055632000</b>
DRAWN: S M M	ENGR: S M M	RELEASE DATE: 30-JUL-99	REV. <b>B</b>
DATABASE FILE: Z42051.SCH		SHEET: 1 OF 2	



S3 OUT: NOT MUTED / MUTE LED DARK  
S3 IN: MUTED / MUTE LED FLASHING

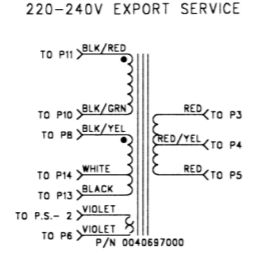
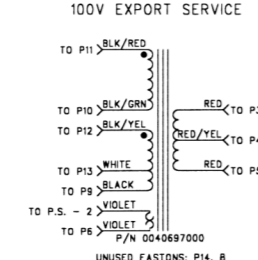
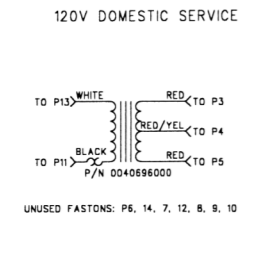
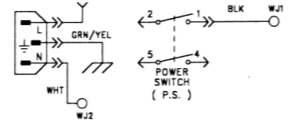
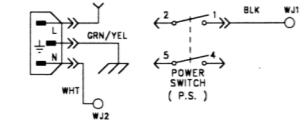
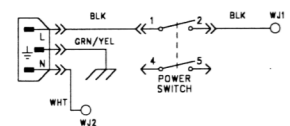
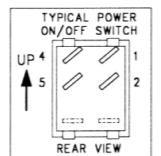
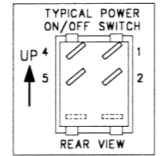
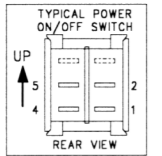
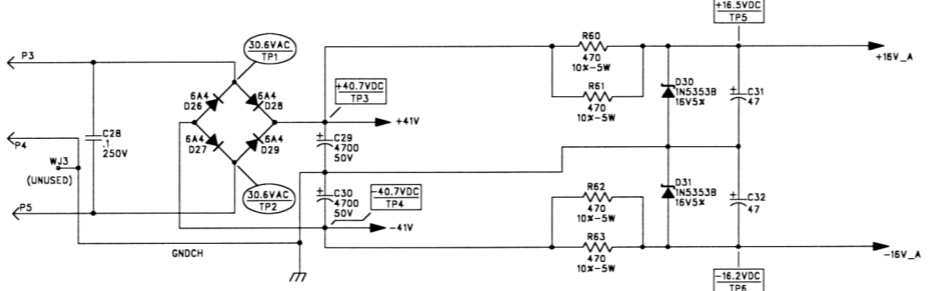
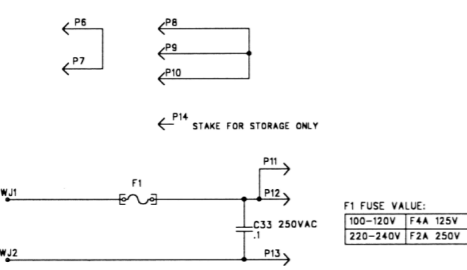
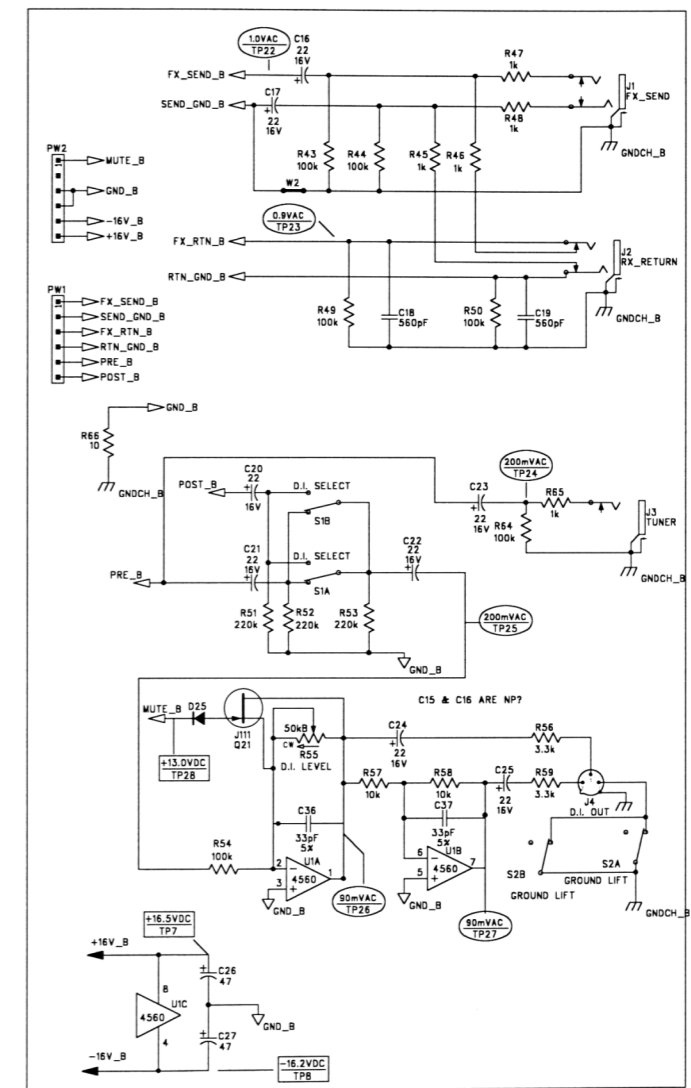
S4 OUT: NO SIGNAL LIMITING  
S4 IN: SIGNAL LIMITED WHEN TP26 > 1 VAC

REVISIONS			
REV.	DESCRIPTION	DATE	APPROVED
A	PR420	27-JUL-99	S M M
B	EC2363	18-NOV-99	S M M



**OUTPUT POWER TEST:**  
 CONNECT A 1kHz SINEWAVE SIGNAL TO J2. SET MASTER VOLUME ON FRONT TO MAX (CW). WITH A 4 OHM LOAD CONNECTED TO P1/P2 AND UNIT AT RATED AC LINE INPUT ADJUST INPUT SIGNAL TO VERIFY 100 WATTS AT <math>\pm 0.5\text{dB}</math> T.H.D.

**BACK PANEL CIRCUITRY - ON BREAKAWAY PCB**



- LAST REFERENCE DESIGNATORS: C37 D31 F1 J4 P15 PW3 Q21 R66 RT1 U1 S2 WJ3 TP27
- REFERENCE DESIGNATORS NOT USED: D17-20
- COMPONENTS NOT STUFFED: C6 WJ3 D17-20
- AC AND DC MEASUREMENTS READ TO GROUND WITH A DVM UNDER THE FOLLOWING CONDITIONS:  
 UNIT IS POWERED AT RATED LINE VOLTAGE AND FREQUENCY  
 4 OHM RESISTIVE LOAD CONNECTED ACROSS P1-P2  
 NO INPUT SIGNAL FOR DC TESTS (TP1-19)  
 ADDITIONAL CONDITIONS FOR AC TEST (TP20-28)  
 PREAMP PCB ASSY SHOULD BE SET UP PER ITS SERVICE DIAGRAM (P/N 0055632000)  
 R55 SET FULL CW  
 REAR PANEL SWITCHES OUT  
 INPUT 100mVAC RMS SINEWAVE INTO PREAMP PCB ASSY - J1 ("INPUT")  
 NOTE: PW1, PW2, AND PW3 INTERCONNECTS TO P1, P2, AND P3 RESPECTIVELY ON THE PREAMP PCB.
- THIS SCHEMATIC IS FOR PCB FAB P/N 0055772000 AND PCB ASSY P/N 0055773000.
- ALL DIODES 1N4148
- ALL POLARIZED CAPACITORS IN UF, 20X; 50V MINIMUM.
- ALL UNPOLARIZED CAPACITORS IN UF, 10X OR BETTER; 50V MINIMUM. (POWER SUPPLY BYPASS CAPACITORS ARE 20X).
- ALL RESISTORS IN OHMS, 5X; 1/4W.

THIS DOCUMENT CONTAINS INFORMATION OF A PROPRIETARY NATURE TO FENDER MUSICAL INSTRUMENTS AND IS SUBMITTED TO YOU IN CONFIDENCE AND SHALL NOT BE DISCLOSED OR TRANSMITTED TO OTHERS WITHOUT AUTHORIZATION FROM FENDER MUSICAL INSTRUMENTS.

**Fender** MUSICAL INSTRUMENTS  
 2621 Research Drive  
 Corona, CA 91720 USA

CHECKED BY: *[Signature]*  
 DATE: 22-NOV-99

APPROVED BY: *[Signature]*  
 DATE: 22-NOV-99

DRAWN: S M M ENGR: S M M  
 DATABASE FILE: 2420S2.SCH

TITLE: SERVICE DIAGRAM, COMBINED (schematic)  
 BASSMAN 100  
 POWER AMP

SIZE: D DRAWING NUMBER: 0055774000 REV. B  
 RELEASE DATE: 30-JUL-99 SHEET: 1 OF 2