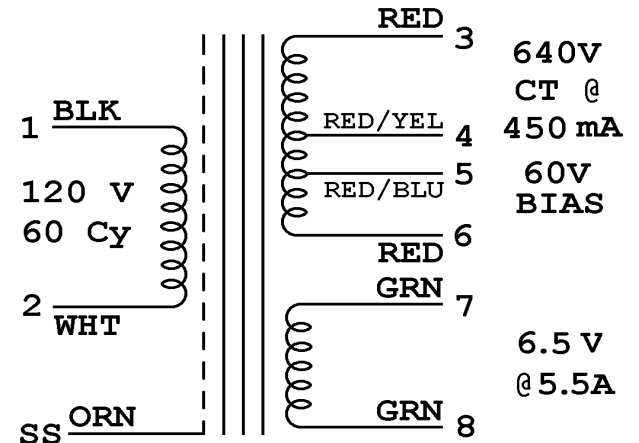
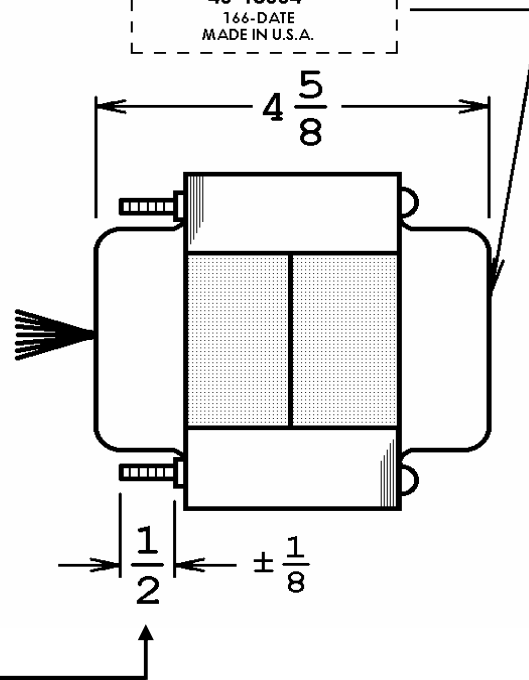
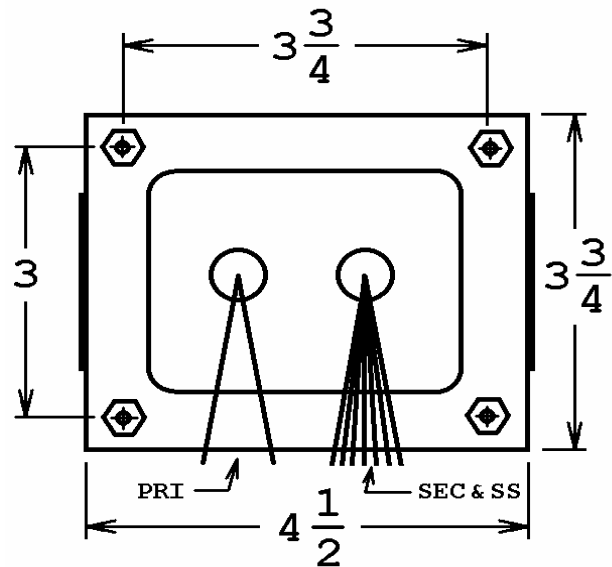


40-18004

This drawing is the property of Magnetic Components, Inc. and shall not be reproduced, in whole or in part, without the written permission of Magnetic Components, Inc.

REVISIONS			
LTR	DESCRIPTION	DATE	APPROVED
A	REV TRU-TONE MARKING	02/24/09	M. Sacketti
B	DEL TRU-TONE MARKING	05/01/09	M. Sacketti
C	ADD ClassicTone AND PROPRIETARY NOTE	01/06/10	M. Sacketti
D	ADD GROUND ORN TO CHASSIS	06/10/10	M. Sacketti
E	640VCT WAS 420VDC. ADD LEAD COLOR/VOLTS NOTE.	04/25/11	M. Sacketti
F	ADD MOUNTING HARDWARE NOTE	10/27/11	M. Sacketti



RED-RED/YEL-RED = 320V-0-320V (640V CT)
 RED/YEL-RED/BLU = 60V BIAS
 GROUND ORN LEAD TO CHASSIS

USE FOUR # 8-32 HEX NUTS (NOT SUPPLIED) FOR CHASSIS MOUNTING. PLEASE DO NOT REMOVE EXISTING HEX NUTS.

FENDER P/N :
 022756
 125P34A

UNLESS OTHERWISE SPECIFIED		SIGNATURES		DATE		MAGNETIC COMPONENTS, INC.		DIV :		
ALL DIMENSIONS IN INCHES DO NOT SCALE DRAWING		DRAWN : <i>M. Sacketti</i>		23 FEB 09		TITLE		LOC : SCHILLER PK		
FRACTIONS +/-		CHECK :				POWER TRANSFORMER				
.X = +/-		APPR : <i>M. Sacketti</i>		23 FEB 09		CAGE	50508	SIZE	PART No.	REV
.XX = +/-						SCALE	NONE	A	40-18004	F
.XXX = +/-						SHEET :				
ANGLES = +/-										