

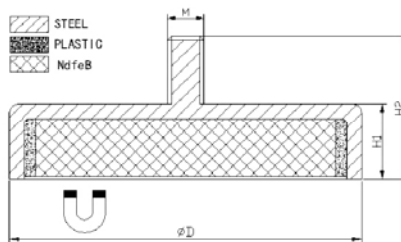
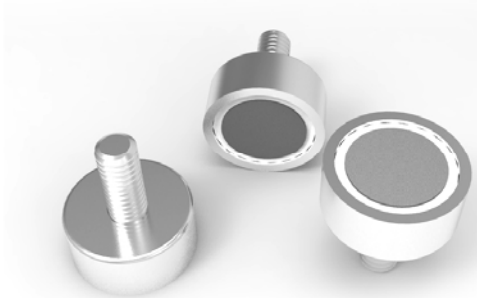
# PRODUCT INFORMATION



## Pot Magnets

**NdFeB Pot Magnet with Threaded Stem, Nickle plated. Steel Pot Lathe Machined**

**Filling between magnet and pot**



Item No.	D	H1	H2	M	Force			weight
	mm	mm	mm		Kg	N	Lbs	g
M-TNE10M	10	5	12	M3	2.5	24	5	4
M-TNE13M	13	5	12	M3	3.5	34	7	4
M-TNE16M	16	5	13.5	M4	8	78	17	7
M-TNE20M	20	7	15.5	M4	12	117	26	15
M-TNE25M	25	8	16.5	M5	25	245	55	27
M-TNE32M	32	8	18.5	M6	39	382	85	44
M-TNE40M	40	9	20	M8	45	441	99	79
M-TNE48M	48	11.5	24	M8	85	833	187	135
M-TNE60M	60	15	30	M8	125	1225	275	260
M-TNE75M	75	15	34	M10	164	1607	361	550

\* Screw and length of the stem can be customized, please contact us for deta



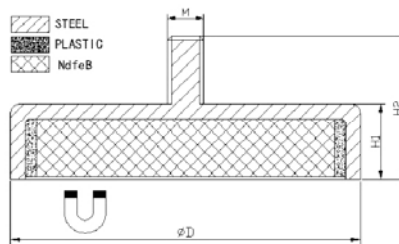
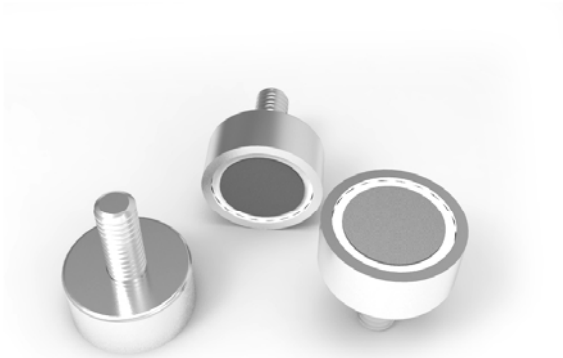
### Pot Magnets

# PRODUCT INFORMATION



## Pot Magnets

**NdFeB Pot Magnet with Threaded Stem, Nickle plated. Steel Pot Punched**  
**Filling between magnet and pot**



Item No.	D	H1	H2	M	Force		
	mm	mm	mm		Kg	N	Lbs
TNE10M	10	5	12	M3	2	19	4
TNE12M	12	5	13	M3	3	29	7
TNE16M	16	5	13	M4	5	49	11
TNE20M	20	7	15	M4	9	88	19
TNE25M	25	8	17	M5	22	215	48
TNE32M	32	8	18	M6	34	333	74
TNE36M	36	8	18	M6	41	401	90
TNE42M	42	9	20	M8	68	666	149
TNE48M	48	11.5	24	M8	81	793	178

### Pot Magnets

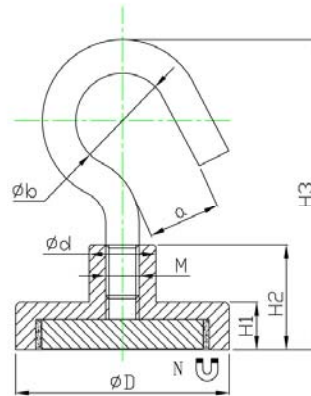
# PRODUCT INFORMATION



## Pot Magnets

**NdFeB Pot Magnets with Hook, Nickle Plated. Steel Pot Lathe Machined**

**Filling between magnet and pot**



Item No.	D	d	H1	H2	H3	a	b	M	Force			weight
	mm	mm	mm	mm	mm	mm	mm		Kg	N	Lbs	g
M-TNE10K	10.15	5	4.5	11.5	26	3	4	M3	3	29	6	5
M-TNE13K	13	5	4.5	11.5	26	3	4	M3	5	49	11	7
M-TNE16K	16	6	4.5	11.5	27	4.5	5.5	M4	8	78	17	11
M-TNE20K	20	8	6	13	29	4.5	5.5	M4	12	122	26	20
M-TNE25K	25	8	7	14	30	4.5	5.5	M4	18	176	39	30
M-TNE32K	32	10	7	15.5	45	11	14	M5	30	294	66	52
M-TNE40K	40	15	9	18	59	19	26	M6	55	539	121	115
M-TNE50K	50	15	9	18	62	17	23	M8	75	735	165	170
M-TNE63K	63	18	10	22	66	17	23	M8	105	1029	231	273



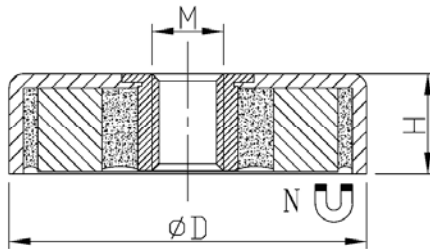
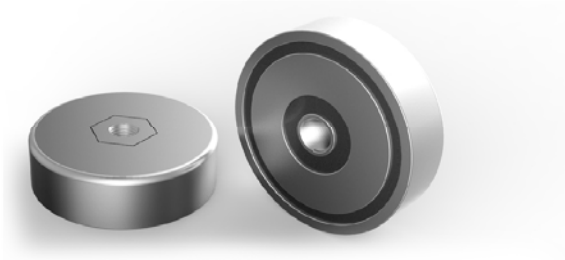
### Pot Magnets

# PRODUCT INFORMATION



## Pot Magnets

**NdFeB Pot Magnets with Thread Hole, Nickle Plated. Steel Pot Punched**



Item No.	D	H	M	Force			weight
	mm	mm		Kg	N	Lbs	g
RBNB10F	10	4.5	M3	1	11	2	3
RBNB13F	13	4.5	M3	3	29	6	5
RBNB16F	16	4.5	M4	5	50	11	7
RBNB20F	20	6	M4	7	73	15	11
RBNB25F	25	7	M4	14	139	30	21
RBNB32F	32	7	M6	26	254	57	36
RBNB40F	40	8	M6	40	392	88	68
RBNB48F	48	11.5	M8	58	568	127	137
RBNB60F	60	15	M8	92	901	202	263



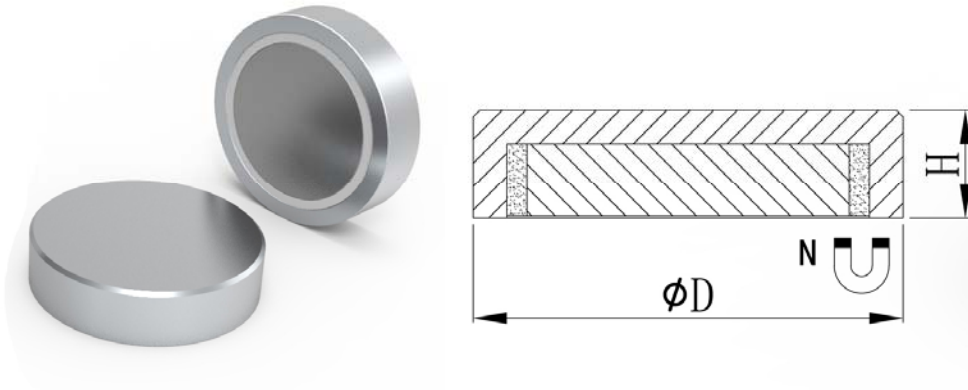
### Pot Magnets

# PRODUCT INFORMATION



## Pot Magnets

NdFeB Pot Magnets Flat, Nickle Plated. Steel Pot Lathe Machined



Item No.	D	H	Force			weight
	mm	mm	Kg	N	Lbs	g
M-RBNE16	16	5	5	53	11	7
M-RBNE25	25	8	22	215	48	27
M-RBNE32	32	8	34	333	74	43
M-RBNE42	42	9	68	666	149	85



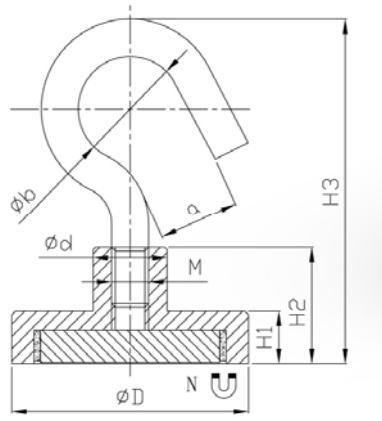
### Pot Magnets

# PRODUCT INFORMATION



## Pot Magnets

**NdFeB Pot Magnets with Hook, White Powder Painted. Steel Pot Lathe Machined**



Item No.	D	d	H1	H2	H3	a	b	M	Force			weight
	mm	mm	mm	mm	mm	mm	mm		Kg	N	Lbs	g
M-TNE16K-W	16.3	6.3	4.8	11.8	27.3	4.2	5.2	M4	8	78	17	11
M-TNE25K-W	25.3	8.3	7.3	14.3	30.3	4.2	5.2	M4	18	176	39	29
M-TNE32K-W	32.3	10.3	7.3	15.8	45.3	10.8	13.7	M5	30	294	66	53
M-TNE40K-W	40.3	15.3	9.3	18.3	59.3	18.7	25.7	M6	55	539	121	112



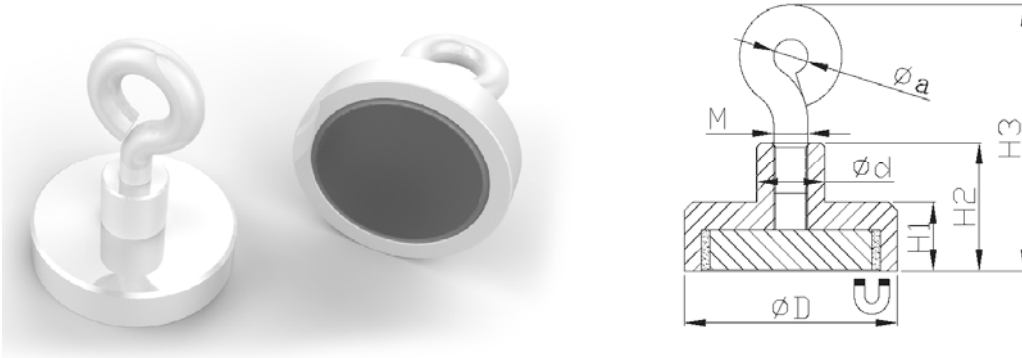
### Pot Magnets

# PRODUCT INFORMATION



## Pot Magnets

**NdFeB Pot Magnets with Eyelet, White Powder Painted. Steel Pot Lathe Machined**



Item No.	D	d	H1	H2	H3	a	M	Force			weight
	mm	mm	mm	mm	mm	mm		Kg	N	Lbs	g
M-TNE160-W	16.3	6.3	4.8	11.8	27.3	4.2	M4	5	49	11	11
M-TNE250-W	25.3	8.3	7.3	14.3	30.3	4.2	M4	16	156	35	30
M-TNE320-W	32.3	10.3	7.3	15.8	45.3	10.7	M5	28	274	61	56
M-TNE400-W	40.3	15.3	9.3	18.3	59.3	18.7	M6	39	382	85	117



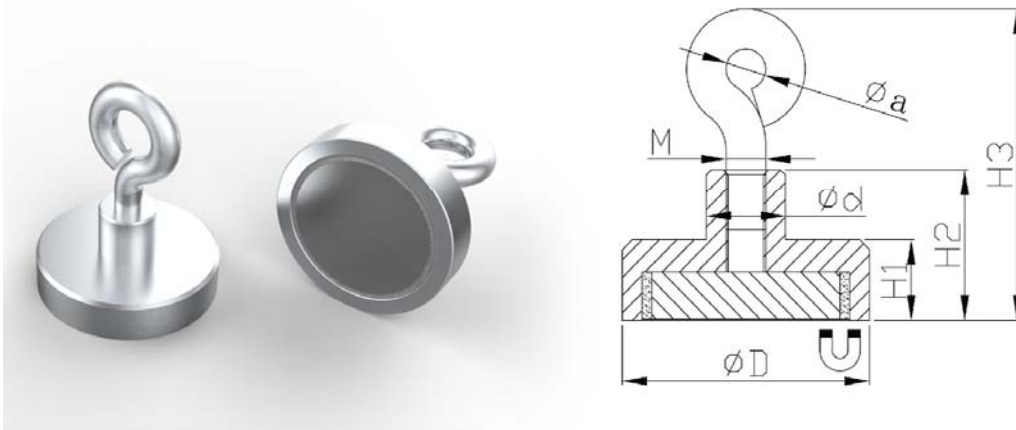
### Pot Magnets

# PRODUCT INFORMATION



## Pot Magnets

**NdFeB Pot Magnets with Eyelet, Nickle Plated. Steel Pot Lathe Machined**



Item No.	D	d	H1	H2	H3	a	M	Force			weight
	mm	mm	mm	mm	mm	mm		Kg	N	Lbs	g
M-TNE16O	16	6	4.5	11.5	27	4.5	M4	8	78	17	10
M-TNE25O	25	8	7	14	30	4.5	M4	18	176	39	29
M-TNE32O	32	10	7	15.5	45	11	M5	30	294	66	53
M-TNE40O	40	15	9	18	59	19	M6	55	539	121	110



### Pot Magnets



# PRODUCT INFORMATION



## Pot Magnets

**NdFeB Pot Magnet With Through Hole, Steel Pot Punched or Lathe Machined (with M in beginning of part number)**



Item No.	D	d1	d2	H	Force		
	mm	mm	mm	mm	Kg	N	Lbs
RBNB16	16	3.5	6.5	5	4	39	8
RBNB20	20	4.5	8	7	6	58	13
RBNB25	25	5.5	9	8	14	137	30
RBNB32	32	5.5	9	8	23	225	50
RBNB36	36	6.5	11	8	29	284	63
RBNB42	42	6.5	11	9	32	313	70
RBNB48	48	8.5	15	11.5	63	617	138
M-RBNB60	60	8.5	15	15	95	931	209
M-RBNB75	75	10.5	18	18	155	1519	341



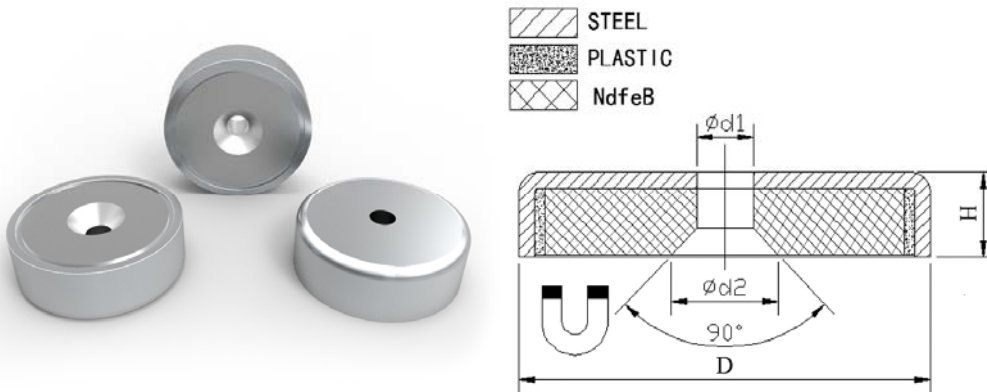
### Pot Magnets

# PRODUCT INFORMATION



## Pot Magnets

**NdFeB Pot Magnet With Counter Sink Hole, Steel Pot Punched or Lathe Machined**  
 ( with M in beginning of part number)



Item No.	D	d1	d2	H	Force		
	mm	mm	mm	mm	Kg	N	Lbs
RBNC10	10	3	4.8	4.5	1	12	2
RBNC13	13	3	5.5	4.5	3	29	6
RBNC16	16	3.5	6.5	5	5	49	11
RBNC20	20	4.5	8.5	7	6	58	13
RBNC25	25	5.5	10.4	8	14	137	30
RBNC32	32	5.5	10.4	8	25	245	55
RBNC36	36	6.5	12	8	29	284	63
RBNC42	42	6.5	12	9	37	362	81
RBNC48	48	8.5	16	11.5	68	666	149
M-RBNC60	60	8.5	16	15	112	1097	246
M-RBNC75	75	10.5	19	18	162	1587	357



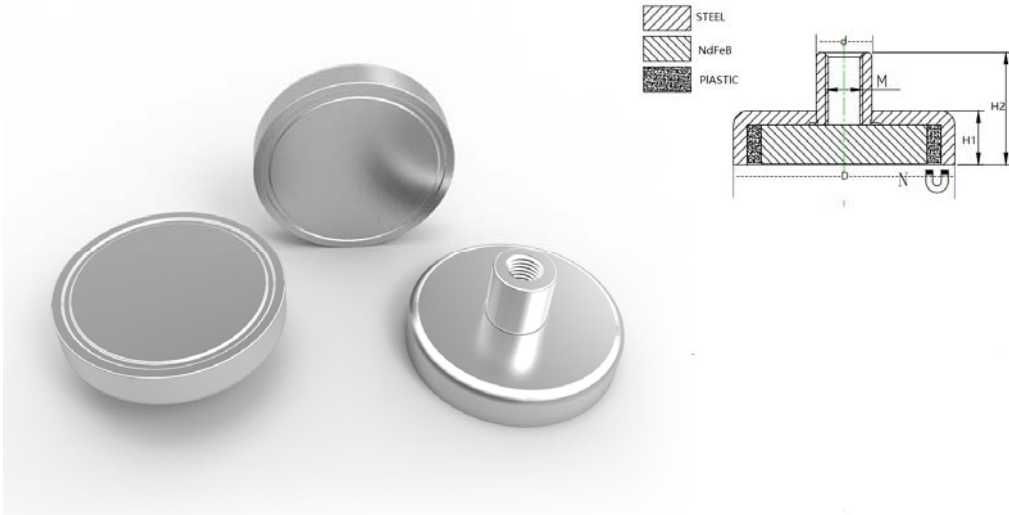
### Pot Magnets

# PRODUCT INFORMATION



## Pot Magnets

**NdFeB Pot Magnet With Screw Bolt, Steel Pot Punched or Lathe Machined (with M in beginning of part number)**

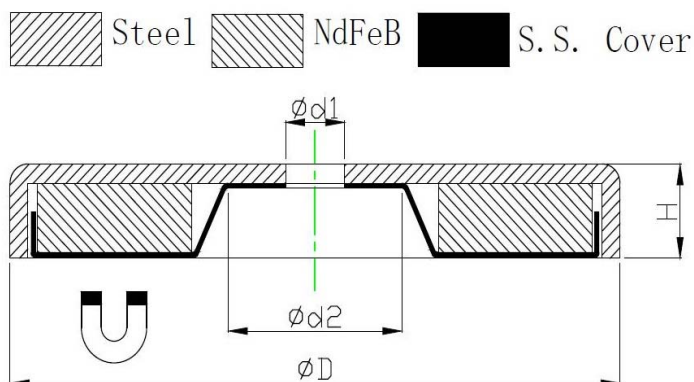


Item No.	D	d	H1	H2	M	Force		
	mm	mm	mm	mm		Kg	N	Lbs
TNE10F	10	5.5	5	12	M3	2	21	4
TNE12F	12	6	5	13	M3	3	31	7
TNE16F	16	6	5	13	M4	5	53	12
TNE20F	20	8	7	15	M4	9	88	19
TNE25F	25	10	8	17	M5	22	215	48
TNE32F	32	10	8	18	M6	34	333	74
TNE36F	36	10	8	18	M6	41	401	90
TNE42F	42	12	9	20	M6	68	666	149
TNE48F	48	12	11.5	24	M8	81	793	178
M-TNE60F	60	14	15	30	M8	113	1107	249
M-TNE75F	75	16	15	34	M10	164	1607	361

### Pot Magnets

## NdFeB Pot Magnet with Steel Cover

NdFeB pot magnet with stainless steel cover, Cr plated



Part No.	D	H	d1	d2	Weight g	Pull Force		
	mm	mm	mm	mm		Lbs	Kg	N
RBNM30	30.70	4.70	3.20	6.00	21	35	15.5	155
RBNM40	36.00	6.90	4.75	9.65	38	65	29.5	289
RBNM50	51.71	7.60	4.90	15.24	65	90	40.5	400
RBNM60	60.32	8.90	6.86	16.26	117	110	50.0	489
RBNM70	68.20	9.50	6.98	17.48	155	140	63.5	622
RBNM80	81.30	10.60	7.20	22.35	210	195	88.5	867
RBNM90	124.46	12.70	12.70	33.00	540	300	136.0	1334

NdFeB Pot Magnet with Steel Cover