

8

7

6

5

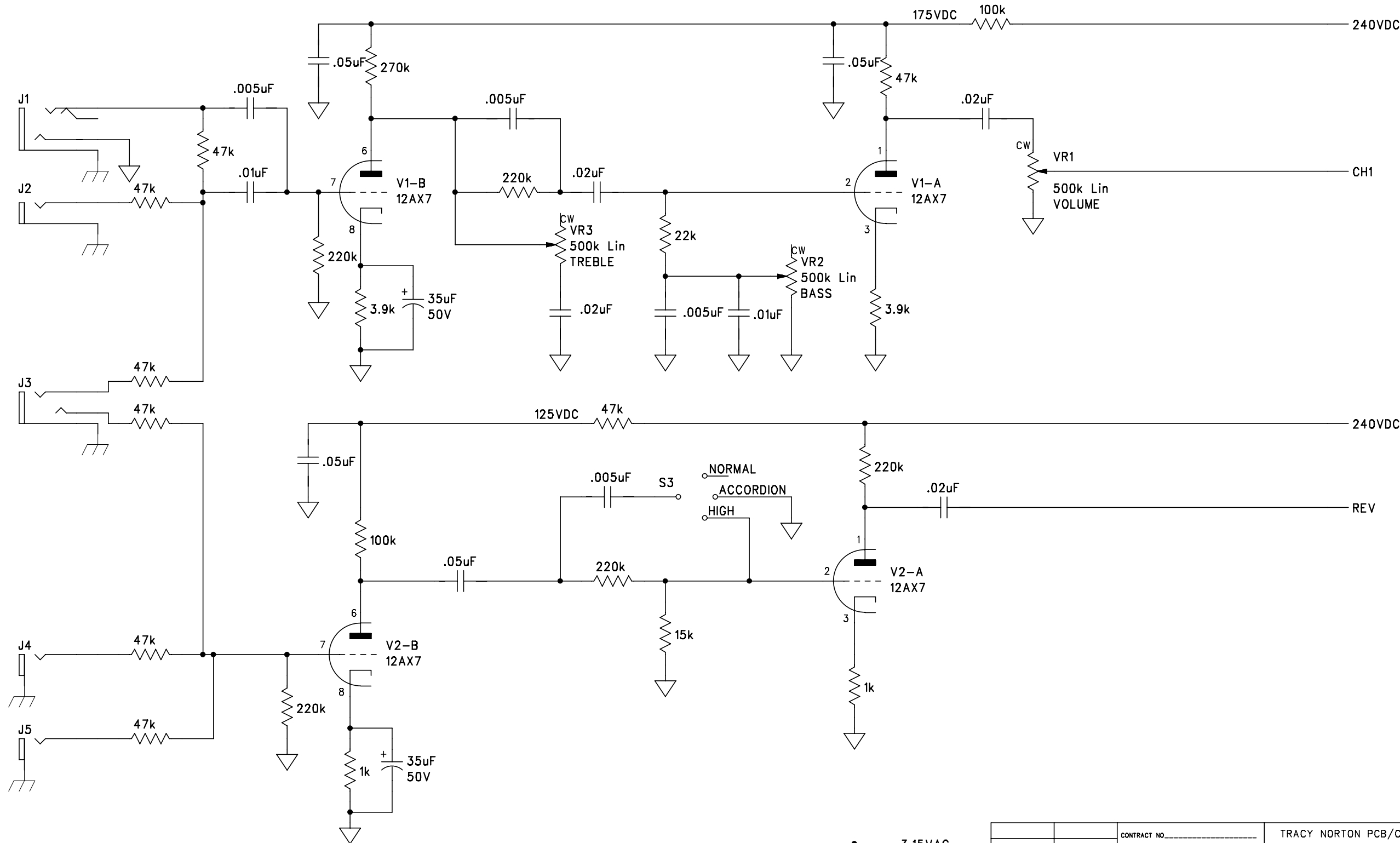
4

3

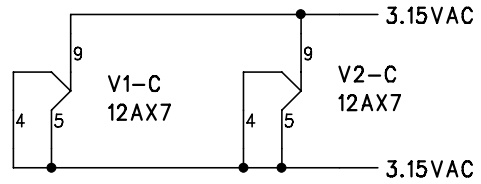
2

1

REVISIONS			
LTR	DESCRIPTION	ENGR	RELEASE DATE
A	INITIAL RELEASE		



NOTES: UNLESS OTHERWISE NOTED,  
 ALL RESISTORS 1/2W CARBON COMPOSITION  
 ALL NON-POLARIZED CAPACITORS AT LEAST 400V  
 ALL VOLTAGES MEASURED W/ RESPECT TO GND, W/ NO SIGNAL, 117VAC MAINS FROM VARIAC



CONTRACT NO.	TRACY NORTON PCB/CAD DESIGN SERVICES
APPD. DATE	2491 GALBRETH RD PASADENA CA 91104
DRN	T NORTON 12/15/07
CHK	T NORTON 12/15/07
ENGR	
DESIGN SUPV	HERR KOMMANDANT
SCALE	NONE
UNCLASSIFIED	
SHEET	1 OF 5

8

7

6

5

4

3

2

1

8

7

6

5

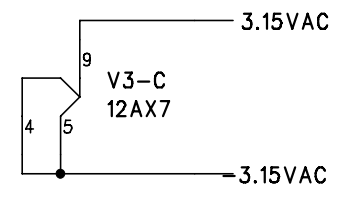
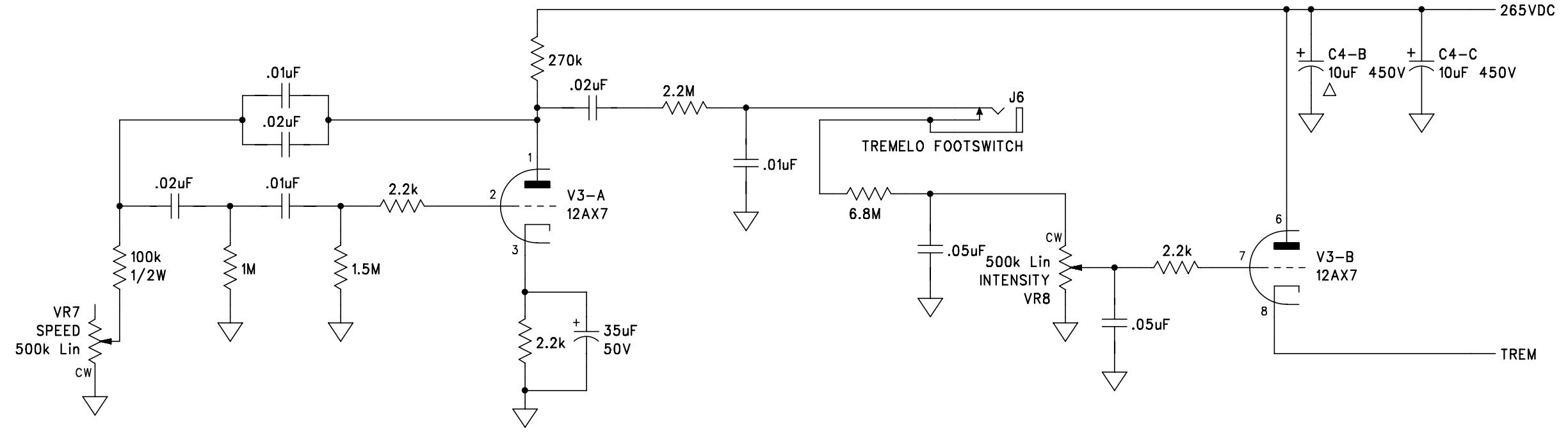
4

3

2

1

REVISIONS	
LTR	DESCRIPTION
A	SEE SHEET 1



TRACY NORTON PCB/CAD DESIGN SERVICES  
 2491 GALBRETH RD PASADENA CA 91104  
 (626) 296-8339 tracynorton@earthlink.net

SCHEMATIC, GRETSCH  
 6169 FURY PIGGYBACK T&R  
 TREMOLO OSCILLATOR

SIZE B	CAGE NO.	DRG NO.	REV A
SCALE NONE	UNCLASSIFIED	SHEET 2 OF 5	

8

7

6

5

4

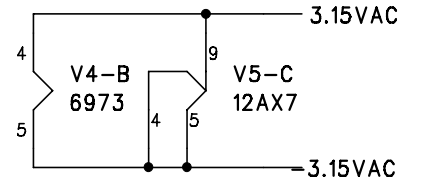
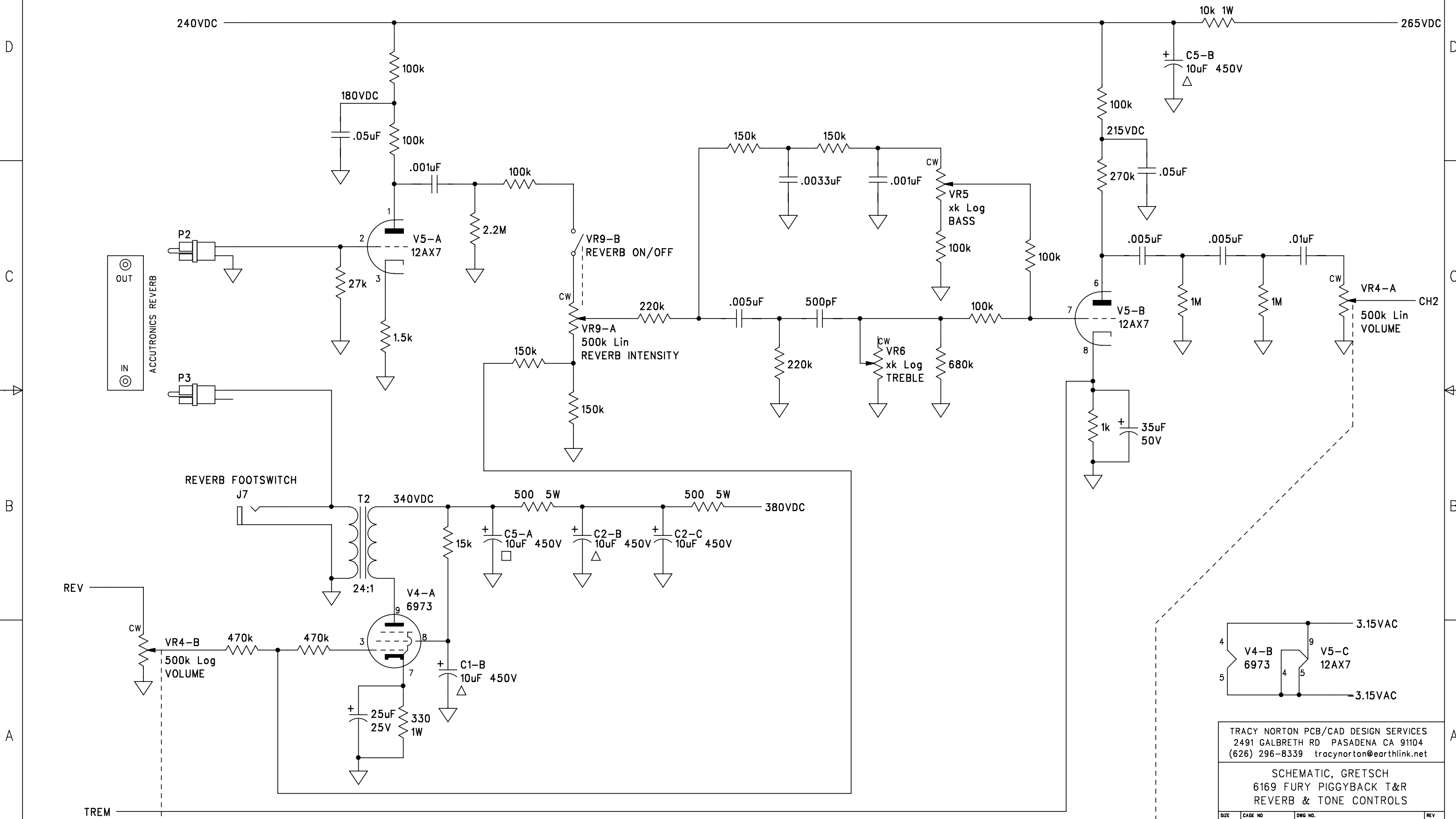
3

2

1

8 7 6 5 4 3 2 1

REVISIONS	
LTR	DESCRIPTION
A	SEE SHEET 1



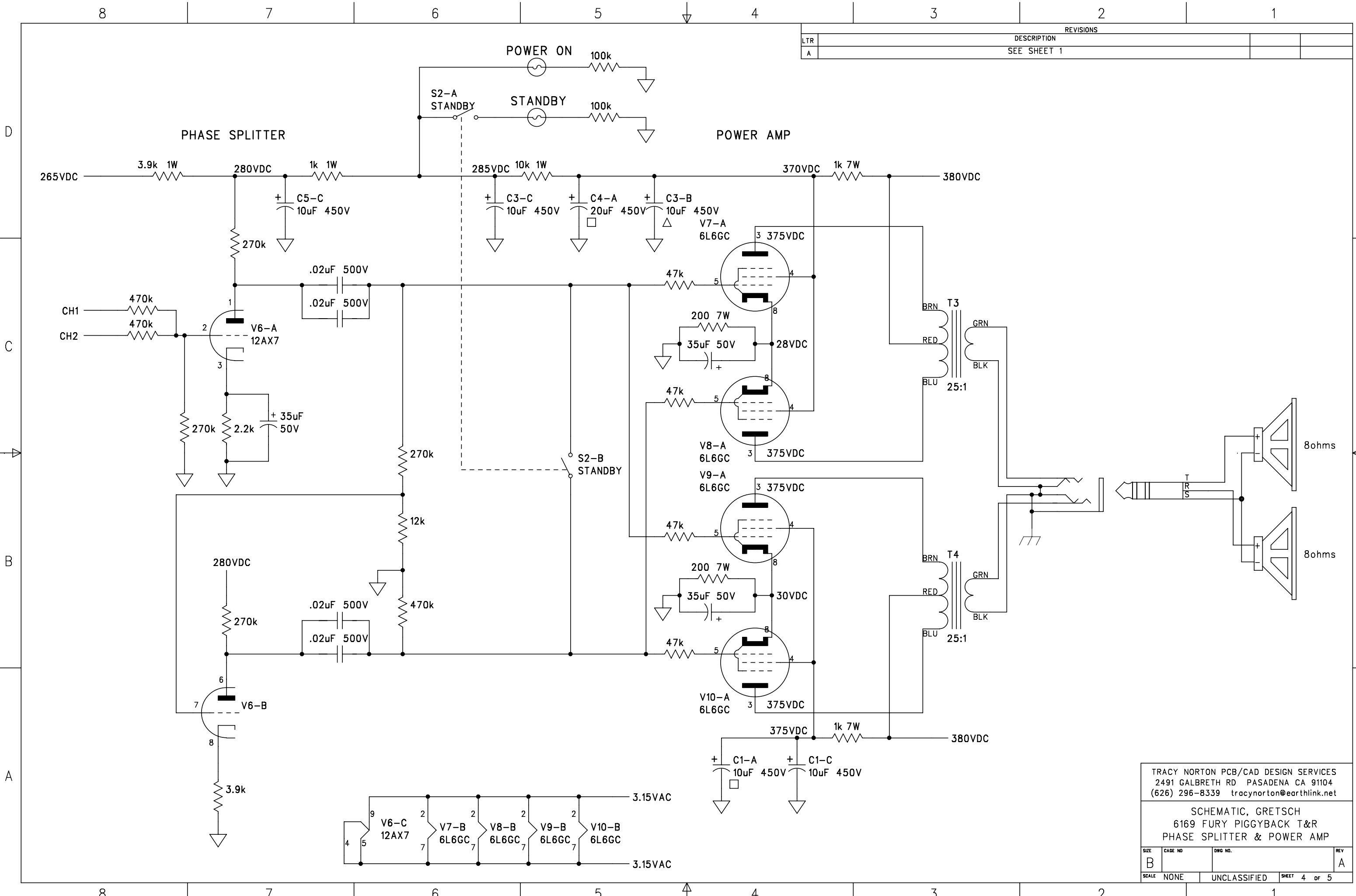
TRACY NORTON PCB/CAD DESIGN SERVICES  
 2491 GALBRETH RD PASADENA CA 91104  
 (626) 296-8339 tracynorton@earthlink.net

SCHEMATIC, GRETSCHE  
 6169 FURY PIGGYBACK T&R  
 REVERB & TONE CONTROLS

SIZE B	CAGE NO.	DRG NO.	REV A
SCALE NONE	UNCLASSIFIED	SHEET 3 OF 5	

8 7 6 5 4 3 2 1

REVISIONS	
LTR	DESCRIPTION
A	SEE SHEET 1



TRACY NORTON PCB/CAD DESIGN SERVICES  
 2491 GALBRETH RD PASADENA CA 91104  
 (626) 296-8339 tracynorton@earthlink.net

SCHEMATIC, GRETSCH  
 6169 FURY PIGGYBACK T&R  
 PHASE SPLITTER & POWER AMP

SIZE B	CAGE NO.	DRG NO.	REV A
SCALE NONE	UNCLASSIFIED	SHEET 4 OF 5	

8

7

6

5

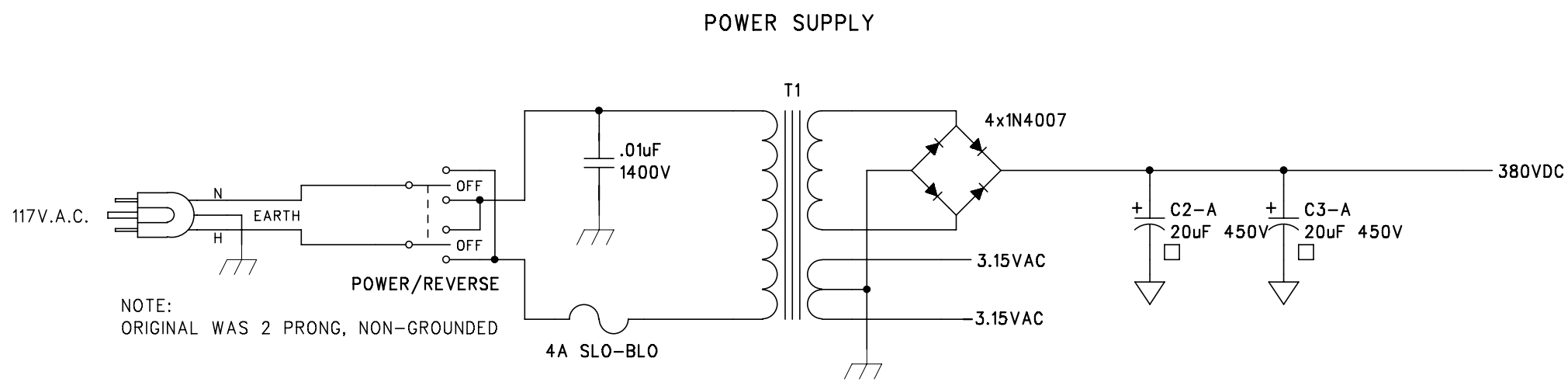
4

3

2

1

REVISIONS	
LTR	DESCRIPTION
A	SEE SHEET 1



TRACY NORTON PCB/CAD DESIGN SERVICES 2491 GALBRETH RD PASADENA CA 91104 (626) 296-8339 tracynorton@earthlink.net			
SCHEMATIC, GRETSCH 6169 FURY PIGGYBACK T&R POWER SUPPLY			
SIZE B	CAGE NO.	DRG NO.	REV A
SCALE NONE	UNCLASSIFIED	SHEET 5 of 5	

8

7

6

5

4

3

2

1