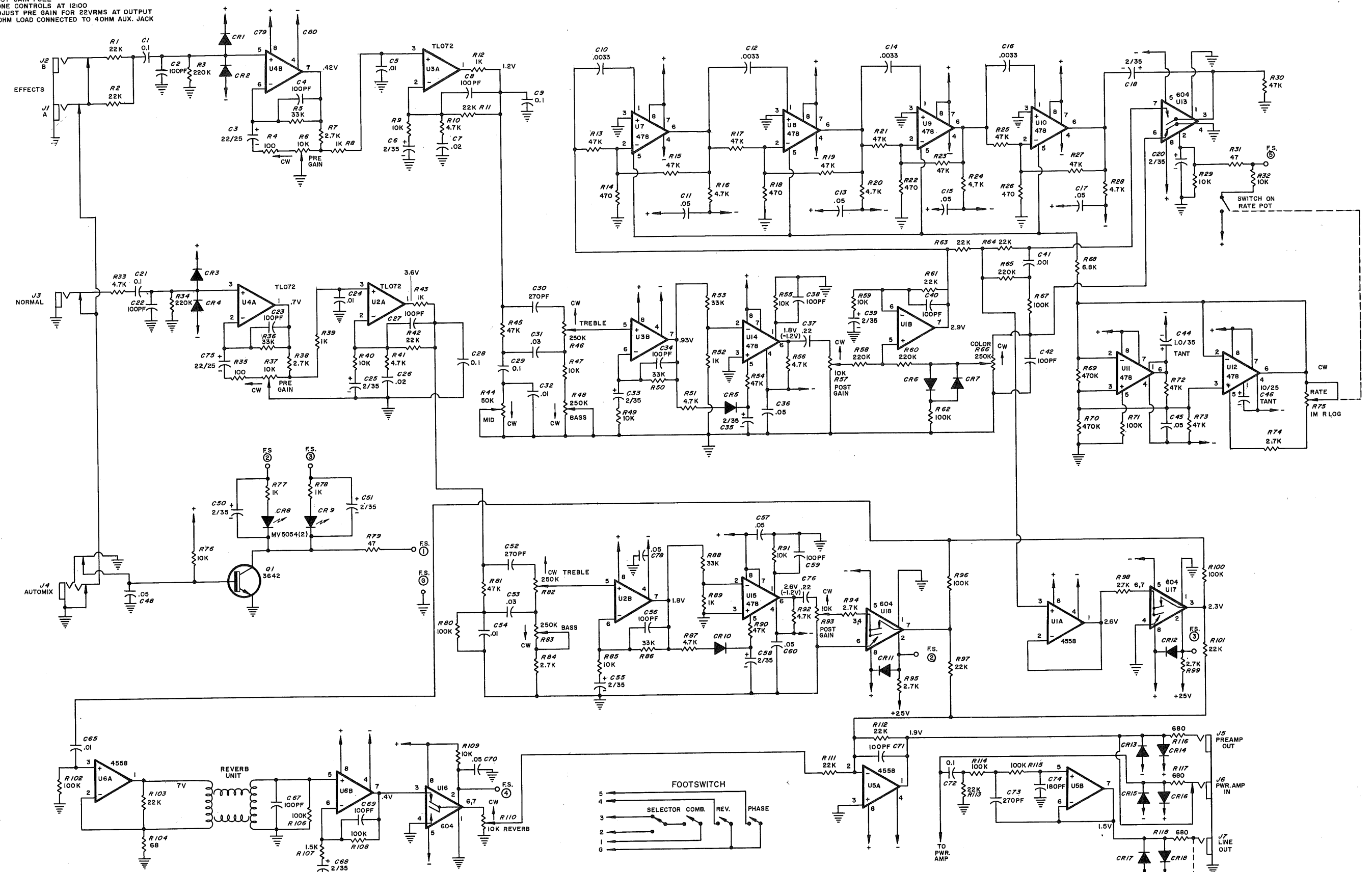


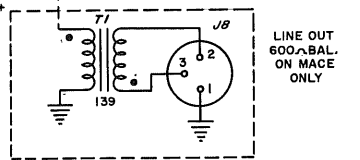
MACE / DEUCE "78"

TEST CONDITIONS:
 INPUT SIGNAL - .15VRMS @ 1KHz
 POST GAIN FULL
 TONE CONTROLS AT 12:00
 ADJUST PRE GAIN FOR 22VRMS AT OUTPUT
 40HM LOAD CONNECTED TO 40HM AUX. JACK



NOTES
 ALL RESISTORS 1/4W UNLESS NOTED
 ALL CAPACITORS IN MFD UNLESS NOTED
 ALL DIODES IN 4148 UNLESS NOTED
 LAST REF. DESIGNATOR USED:
 R-18
 C-81
 CR-18
 Q-1
 U-18
 POWER SUPPLY ±15.0V REG.

VOLTAGES
 2V = RMS VOLTAGE
 (2V) = DC VOLTAGE



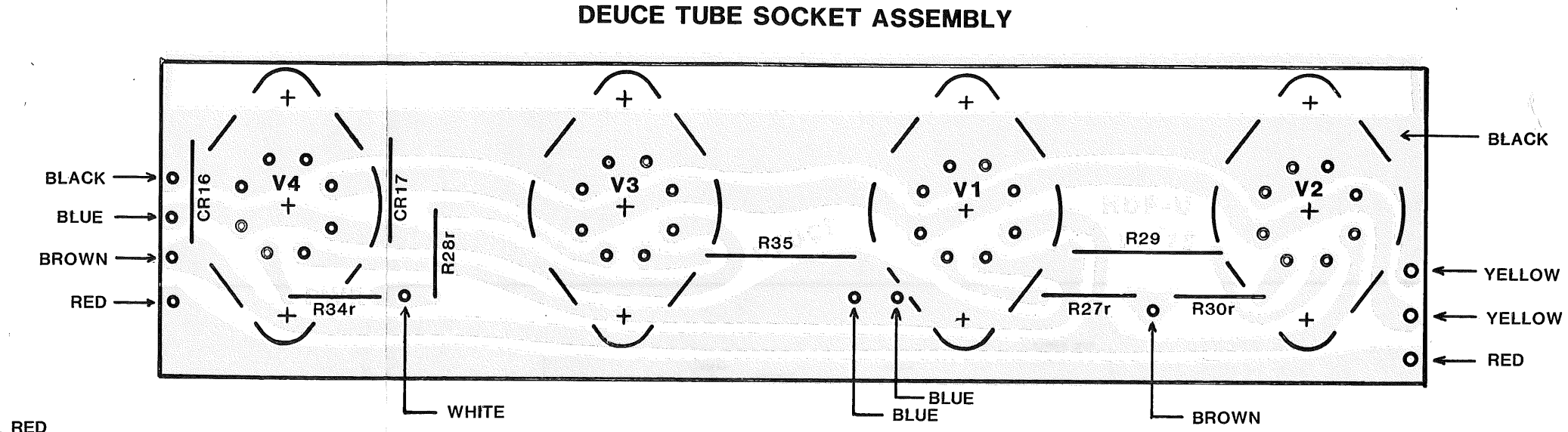
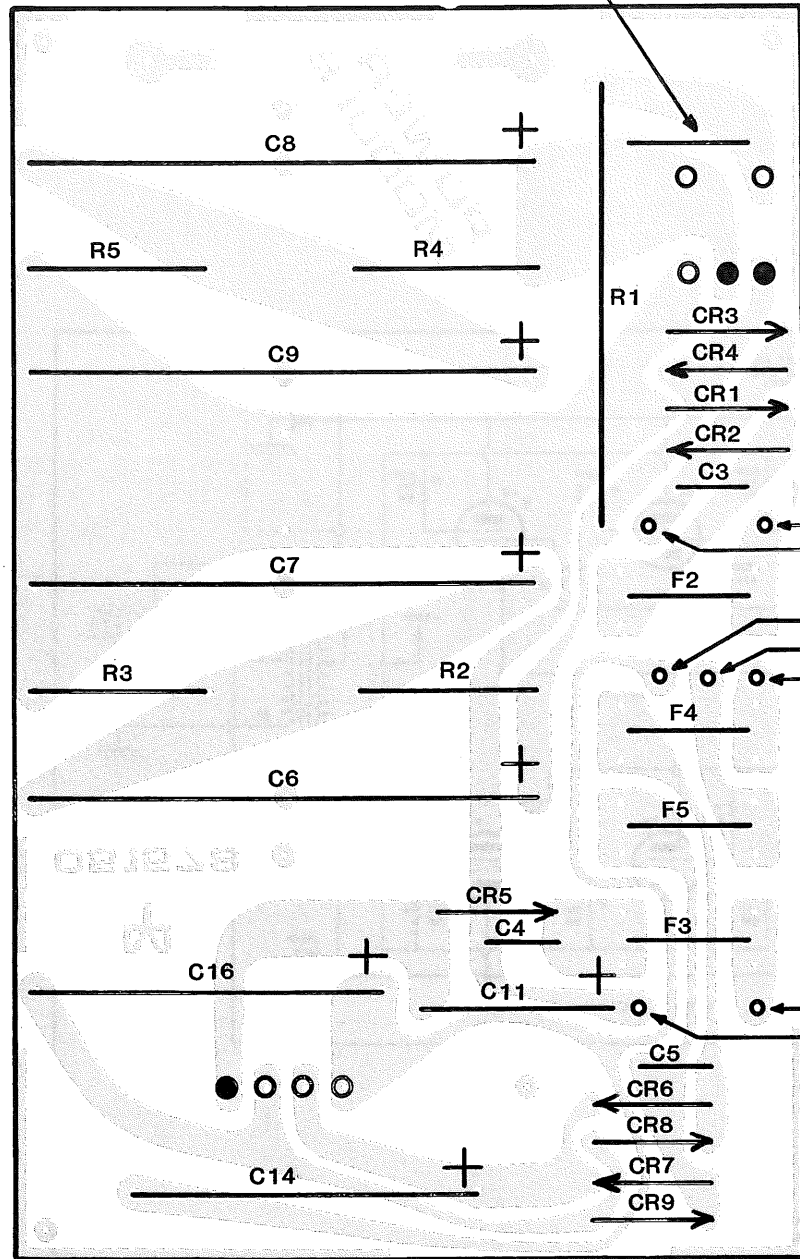
PEAVEY ELECTRONICS CORP.
 MERIDIAN, MS.
 DRAWN BY [Signature] DATE 4-14-78
 CK. BY L.A.K. 4-14-78
 APPR. BY [Signature]

REVISED 5/11/81
 P/N 81501065

DEUCE/MACE
 "VT SERIES"
 PREAMP
 BD.# 99008082

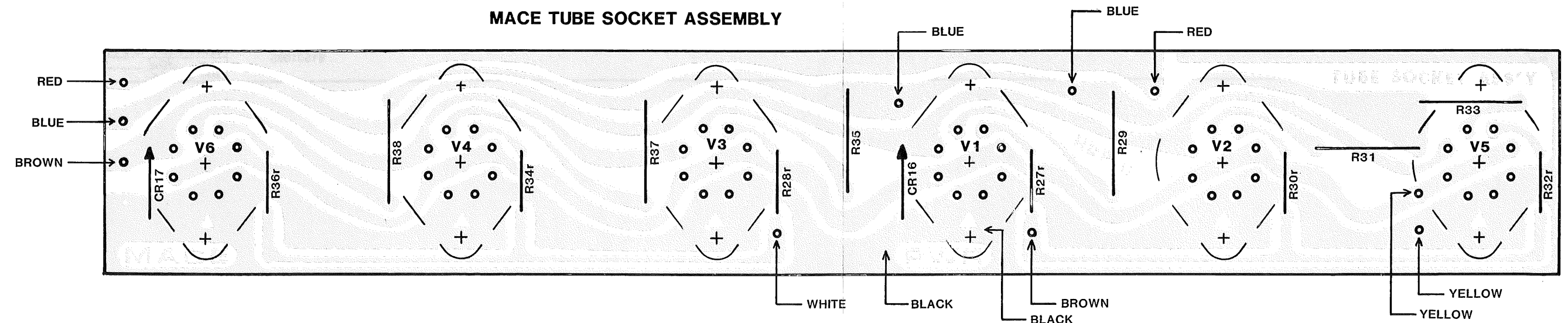
**DEUCE/MACE/CLASSIC/ARTIST
POWER SUPPLY BOARD**

JUMPER USED ONLY IN "CLASSIC" MODEL

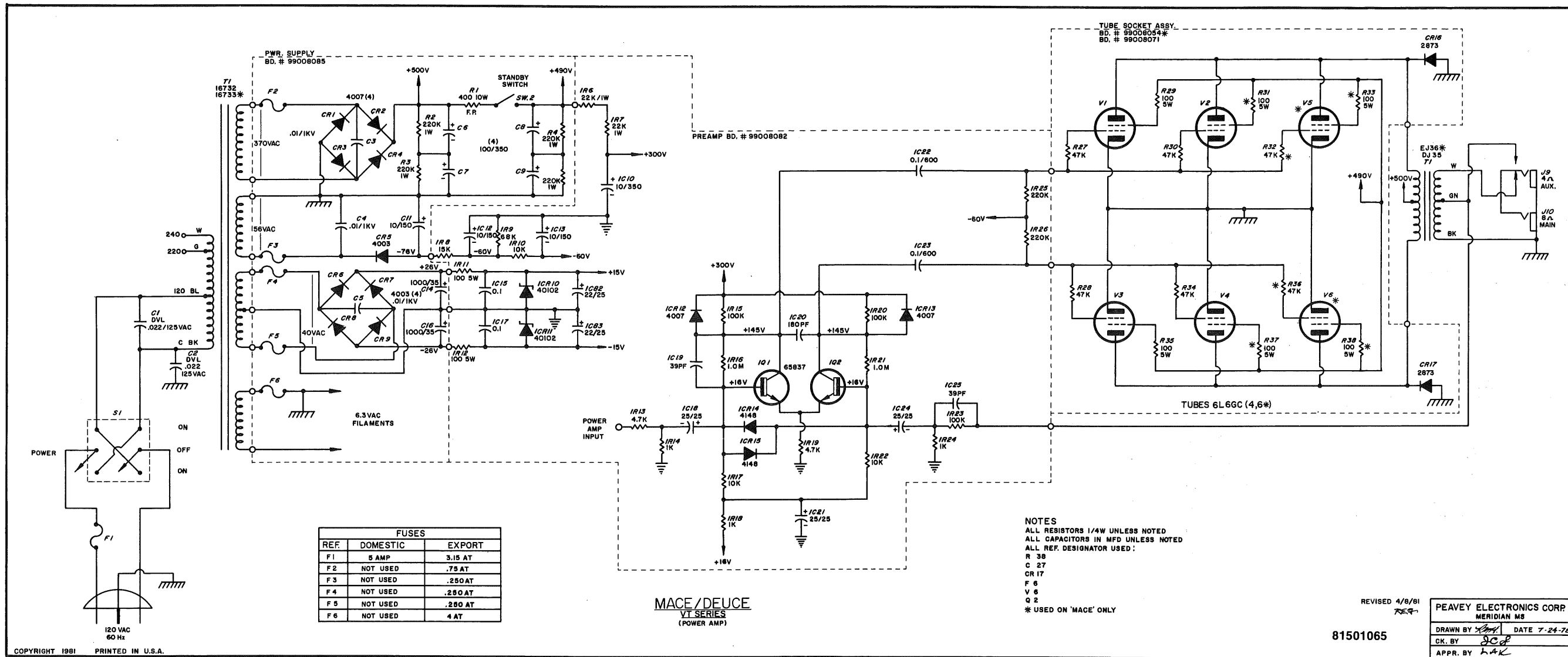


RESISTORS DESIGNATED (r) LOCATED ON REVERSE SIDE OF PC BOARD

MACE TUBE SOCKET ASSEMBLY



RESISTORS DESIGNATED (r) LOCATED ON REVERSE SIDE OF PC BOARD



FUSES		
REF.	DOMESTIC	EXPORT
F1	5 AMP	3.15 AT
F2	NOT USED	.75 AT
F3	NOT USED	.250 AT
F4	NOT USED	.250 AT
F5	NOT USED	.250 AT
F6	NOT USED	4 AT

NOTES
 ALL RESISTORS 1/4W UNLESS NOTED
 ALL CAPACITORS IN MFD UNLESS NOTED
 ALL REF. DESIGNATOR USED:
 R 38
 C 27
 CR 17
 F 6
 V 6
 Q 2
 * USED ON 'MACE' ONLY

MACE/DEUCE
 VI SERIES
 (POWER AMP)

REVISED 4/8/81
 81501065
 PEAVEY ELECTRONICS CORP
 MERIDIAN MS
 DRAWN BY *[Signature]* DATE 7-24-78
 CK. BY *[Signature]*
 APPR. BY *[Signature]*