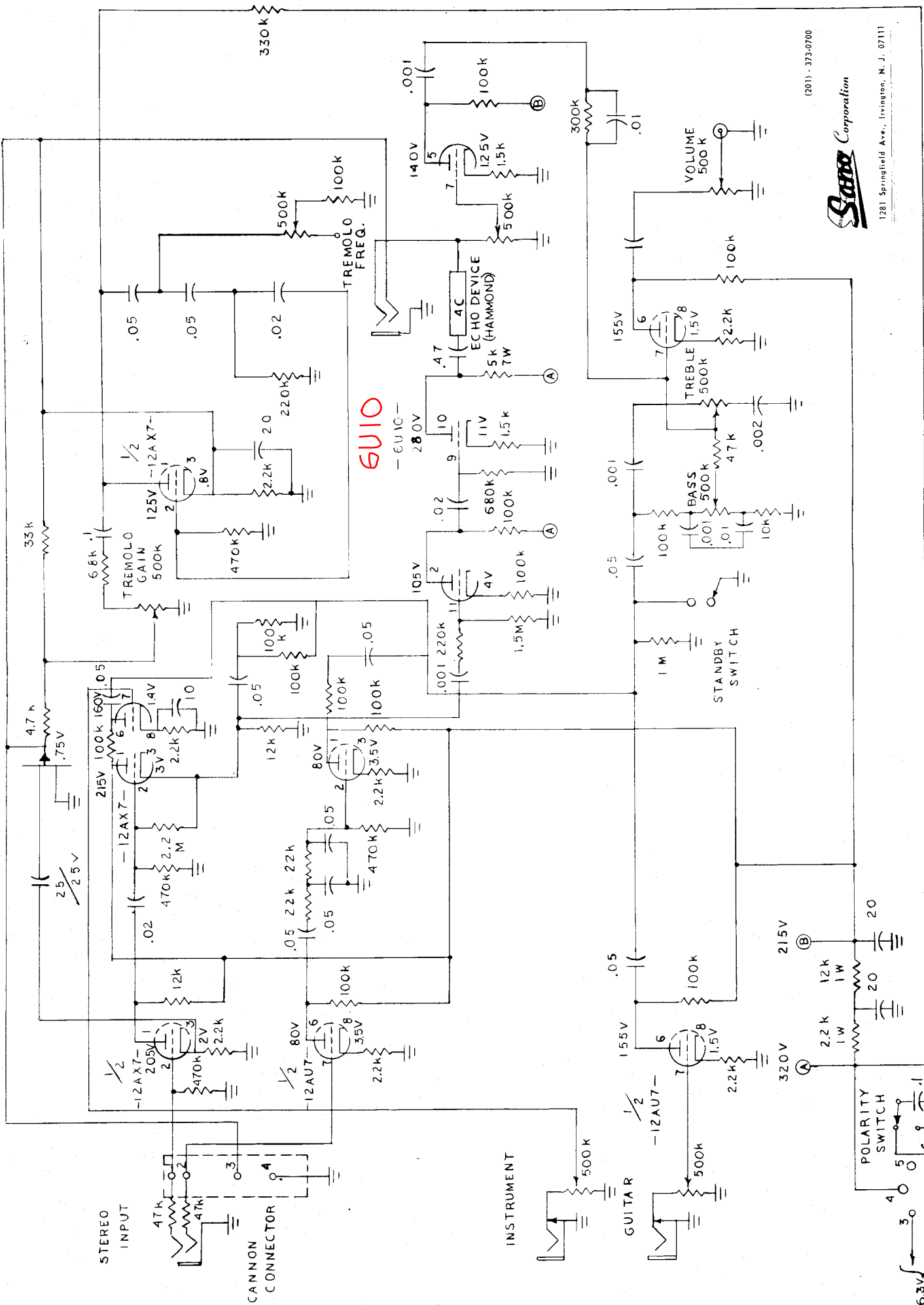


— 2N2497 —



6U10



1281 Springfield Ave., Irvington, N. J. 07111
 (201) - 373-0700

MODEL NO. 50WRT & 30WRT

Sano PREAMPLIFIER

TUBE LOCATION

