

***MESA/BOOGIE***<sup>®</sup>

*Bass 400+*

## Bass 400+

### FRONT PANEL

<b>CHANNEL 1</b>		
<b>Control Function</b>	<b>Type</b>	<b>Mesa Part#</b>
Input 1	Jack	610120
Input 2	Jack	610120
Volume 1	Pot	591842
	Knob	408115
Volume 2	Pot	591842
	Knob	408115
Master	Pot	591048
	Knob	408115
Treble	Pot	596821
	Knob	408115
Bass	Pot	596821
	Knob	408115
Middle	Pot	591278
	Knob	408115

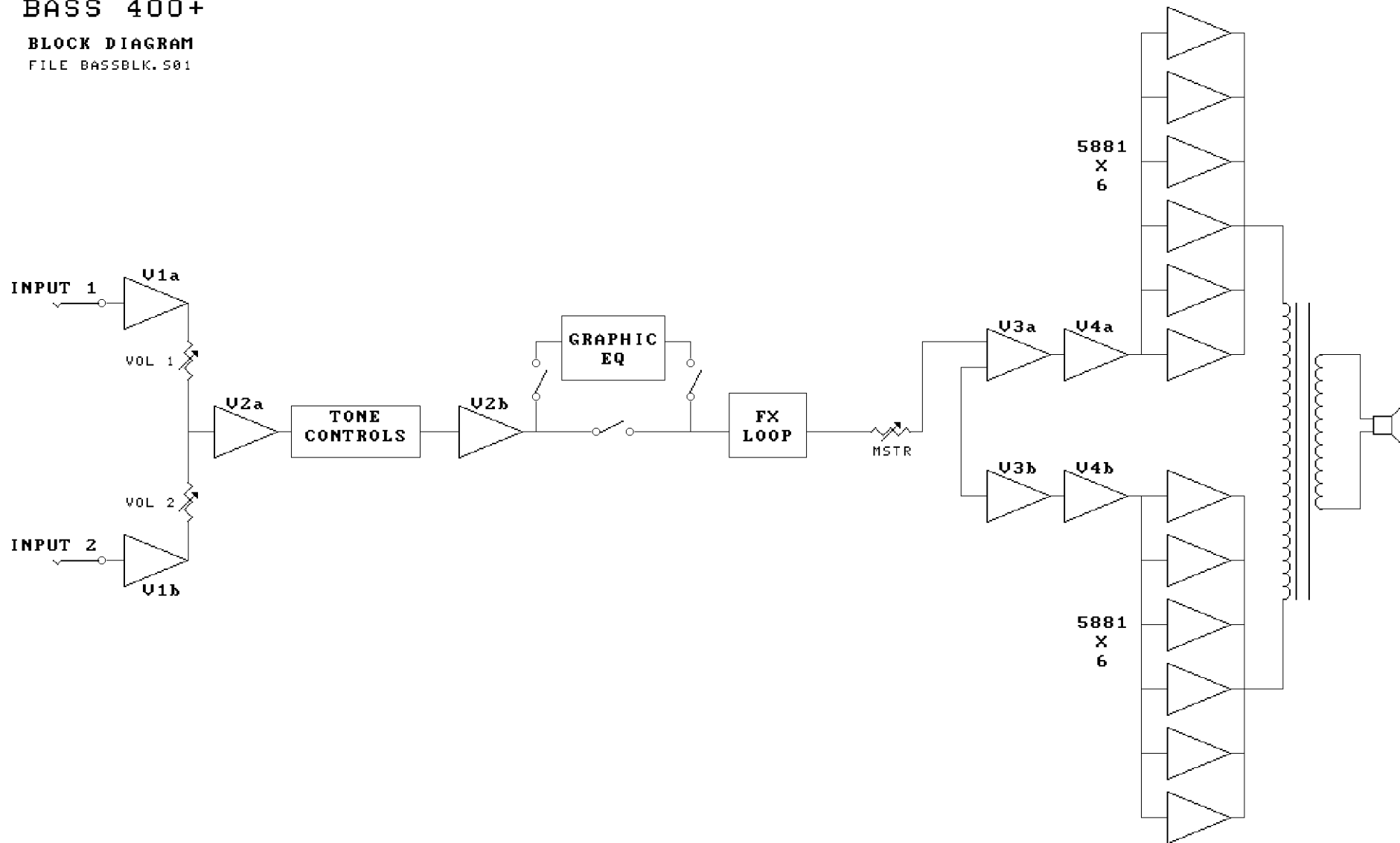
### REAR PANEL

<b>MISC PARTS</b>			
<b>Control Function</b>	<b>Type</b>	<b>Mesa Part#</b>	
Balanced Out	Jack	614028	
Pin 1 Ground	Switch	600115	
Speaker Outs (6)	Jack	618100	
<b>Slave</b>	Pot	591278	
	Knob	408105	
	Jack	612111	
<b>FX Loop</b>	Mix	Pot	591047
		Knob	408105
	Send Return	Jack	612111
		Jack	612111
Fan Speed	Switch	600511	
AC Receptacle	Jack	613713	

<b>MISC PARTS</b>			
<b>Control Function</b>	<b>Type</b>	<b>Mesa Part#</b>	
<b>Fuse Holder</b>	Domestic	Cap/Holder	790347
		Fuse	790800
	Export	Cap/Holder	790346
		Fuse	790300
<b>Graphic EQ</b>	Slider (5)	Pot	588536
	*Slider (2)	Pot	588535
	*100k, 1560k (New Style)	Knob	408550
	**original style knob no longer available		
	EQ Select	Switch	600250
<b>FX Loop</b>	Send	Jack	612111
	Return	Jack	612111
Standby	Switch	600505	
Power	Switch	600505	
Pilot Light	Light	703130	

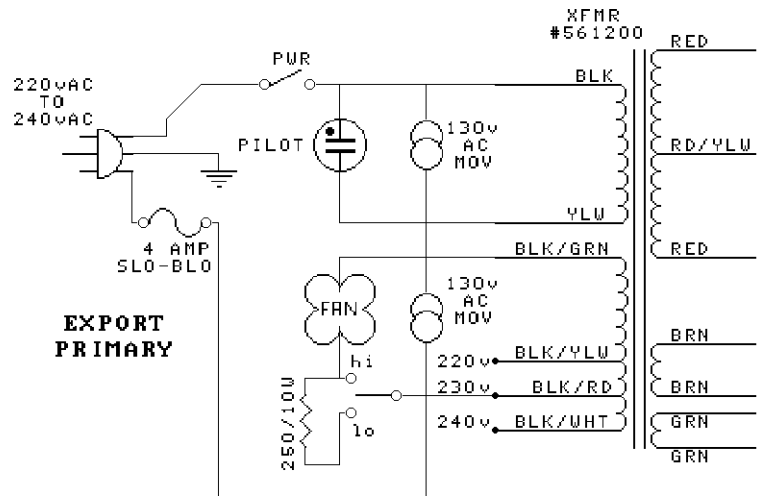
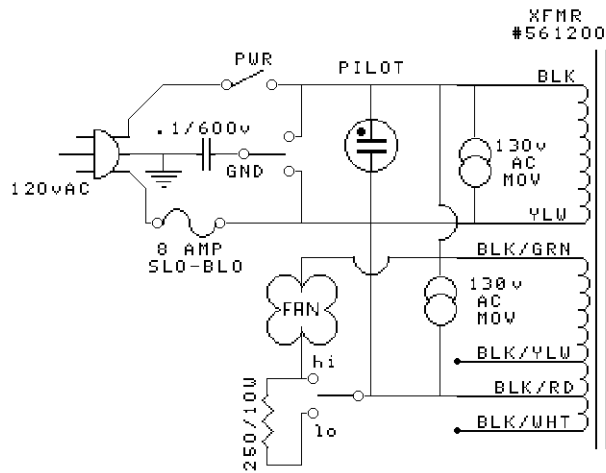
# MESA-BOOGIE BASS 400+

BLOCK DIAGRAM  
FILE BASSBLK.501

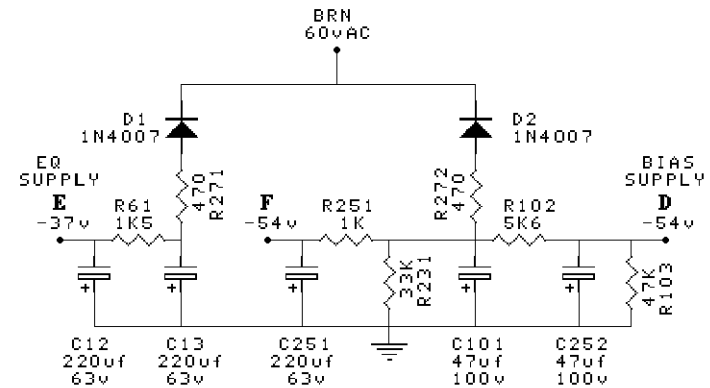
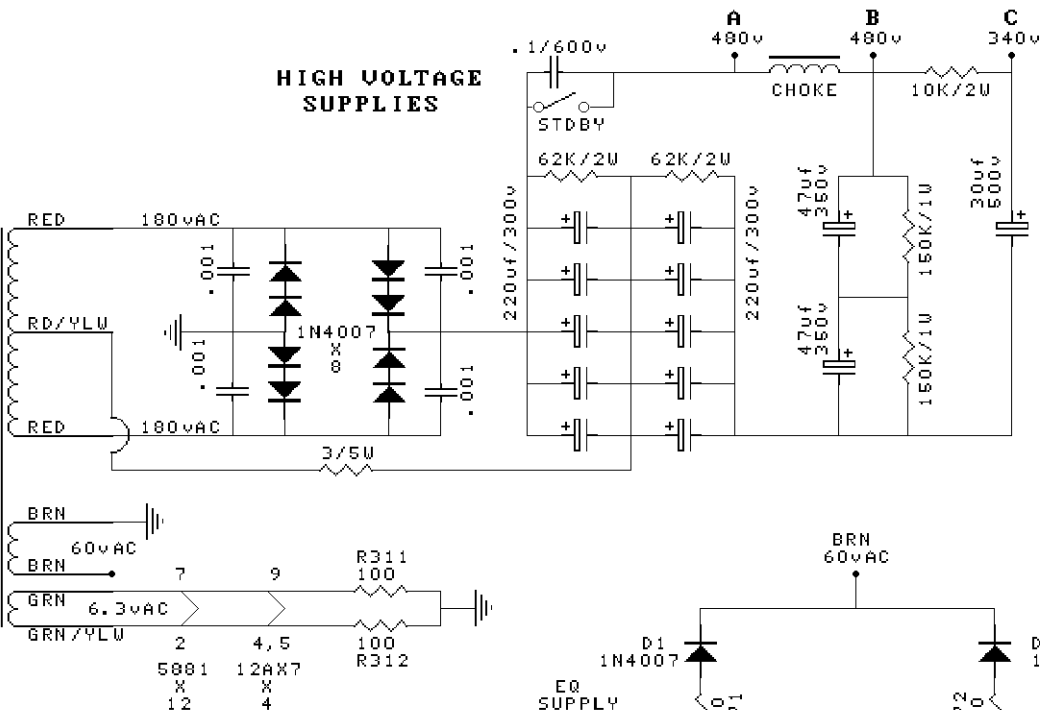


# MESA-BOOGIE BASS 400+

POWER SUPPLIES  
FILE BASSSUPP.S01



## HIGH VOLTAGE SUPPLIES

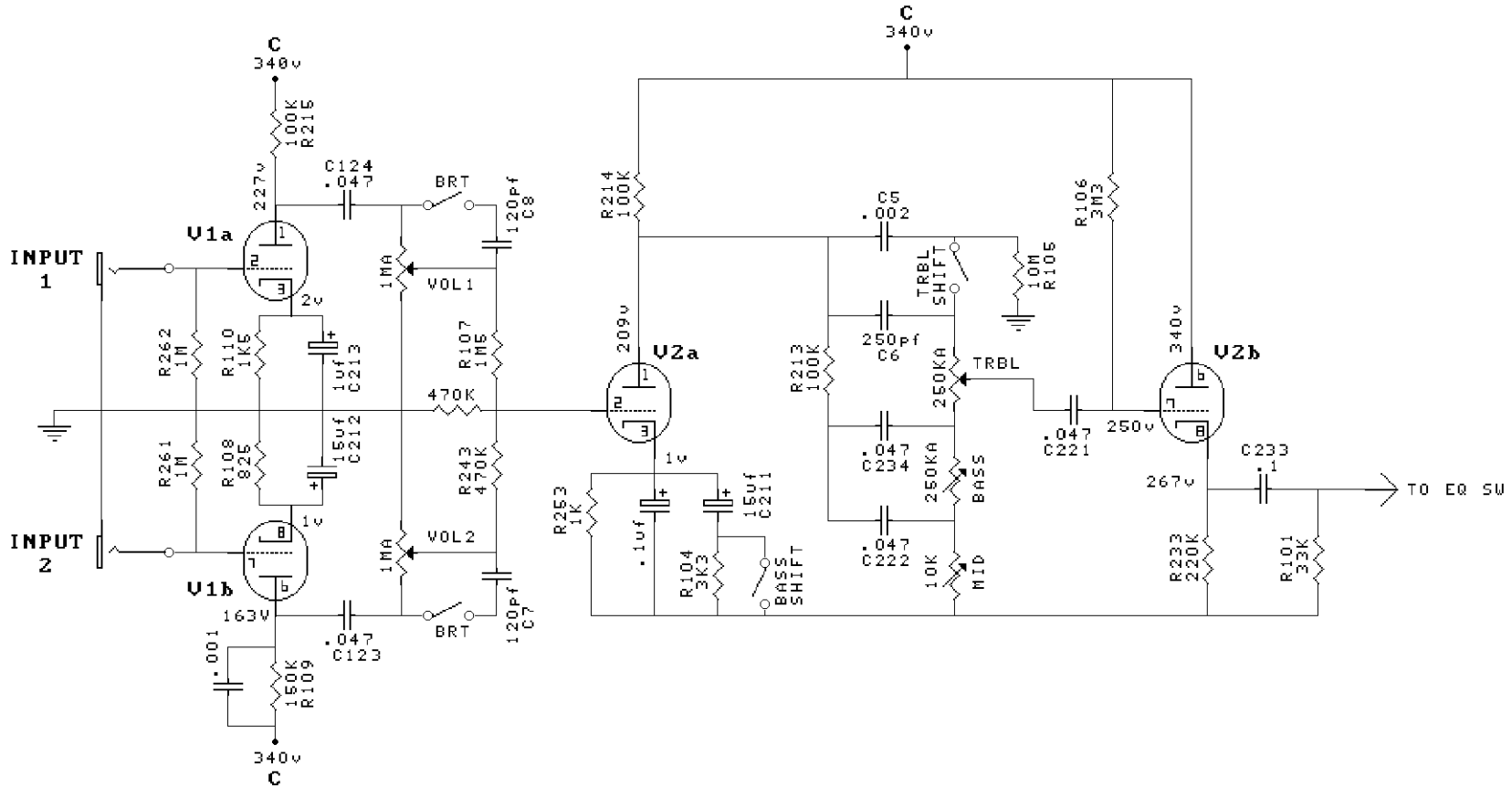


## LOW VOLTAGE NEGATIVE SUPPLIES

# MESA-BOOGIE BASS 400+

PREAMP

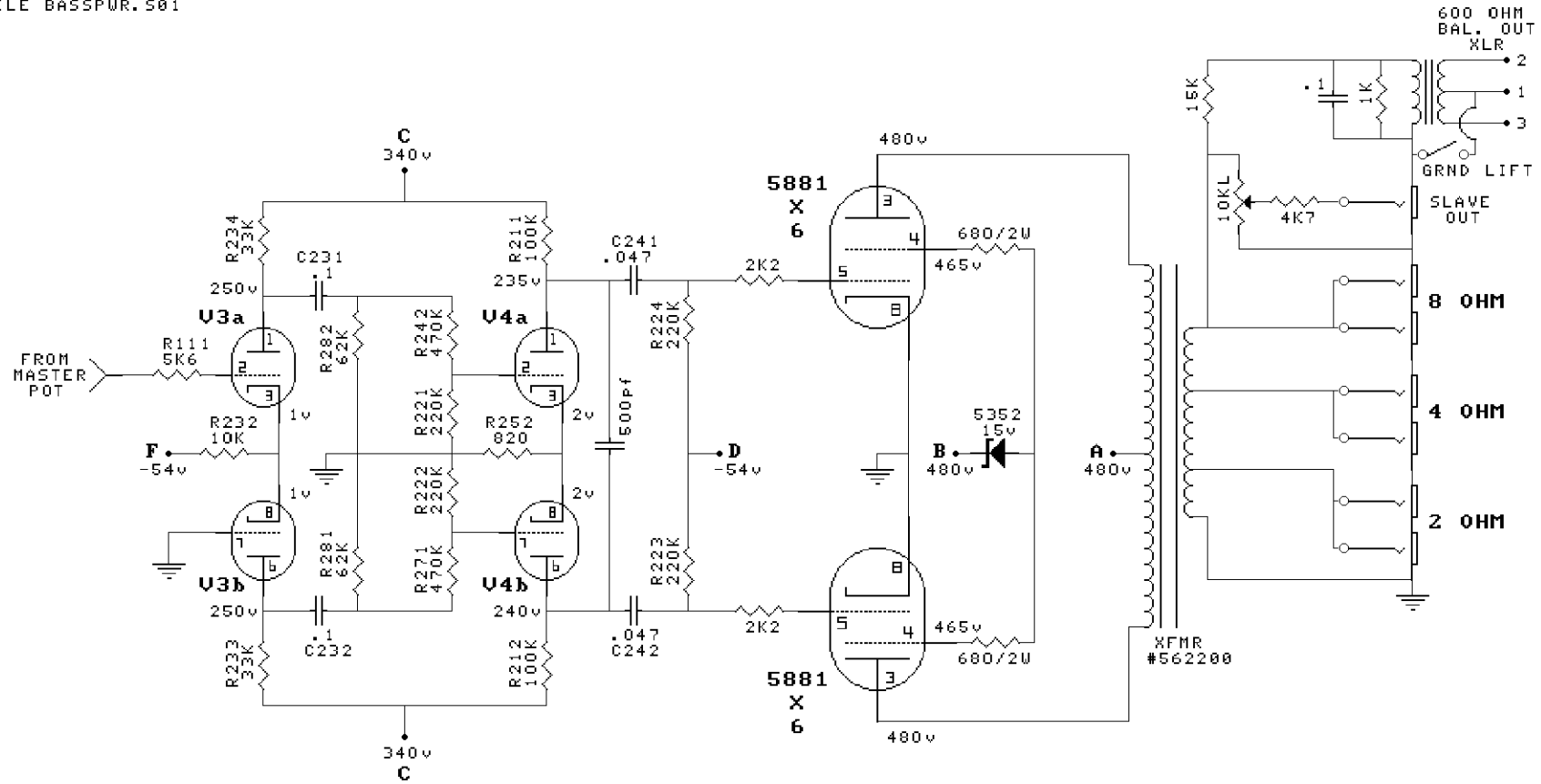
FILE BASSPRE1.S01



# MESA-BOOGIE BASS 400+

POWER AMP

FILE BASSPUR.501



***MESA/BOOGIE***<sup>®</sup>  
*Dual Rectifier Series*