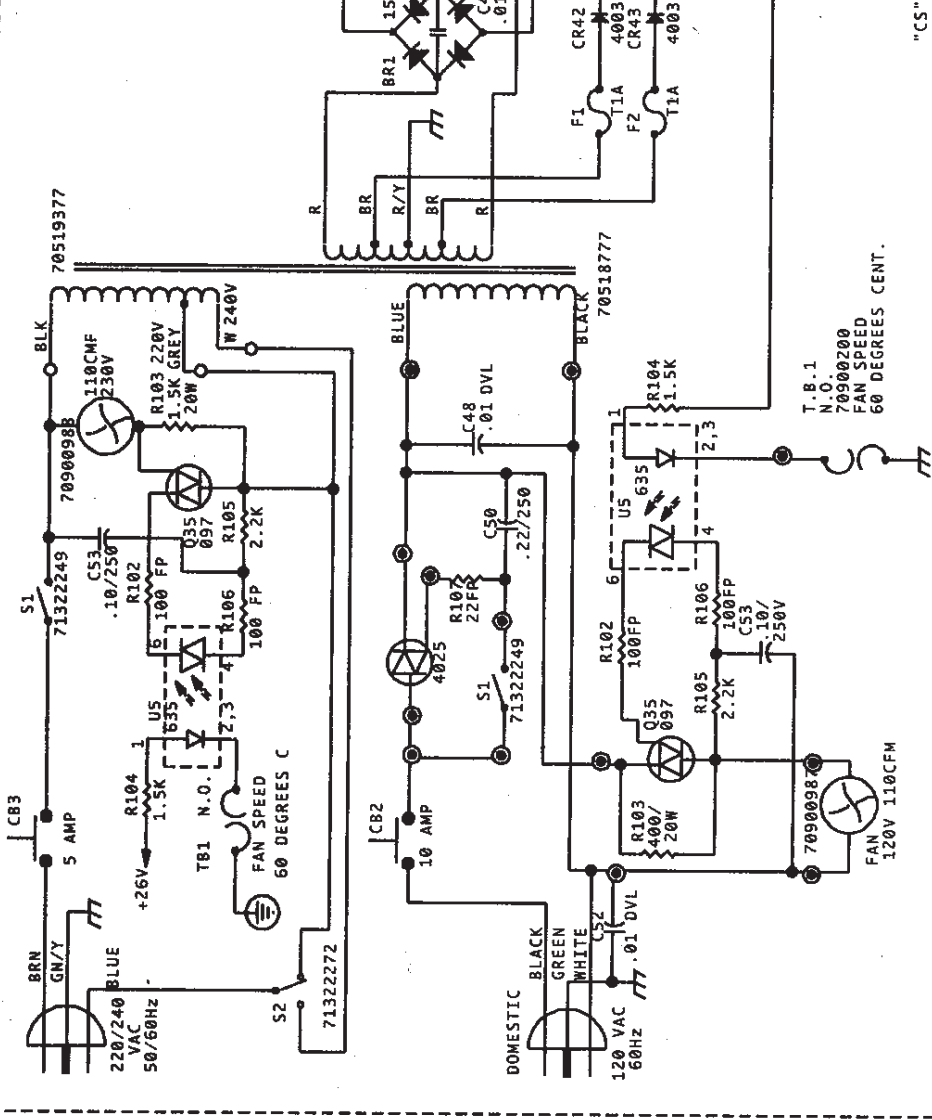


NOTICE: THIS CIRCUITRY IS PROTECTED BY U. S. PATENT NOS. 4,349,788 AND 4,318,053 OWNED BY PEAVEY ELECTRONICS CORP. USE OR COPYING WITHOUT EXPRESS WRITTEN AUTHORITY FROM PEAVEY IS STRICTLY FORBIDDEN AND VIOLATORS WILL BE PROSECUTED TO THE FULLEST EXTENT ALLOWED UNDER U. S. PATENT



T.B.1
N.O.
70900200
FAN SPEED
60 DEGREES CENT.

PE
CS 800
DRV-990
OUT-990
PATCH A

"CS" IS A REGISTERED TRADEMARK OF PEAVEY ELECTRONICS CORP.