

6

5

4

3

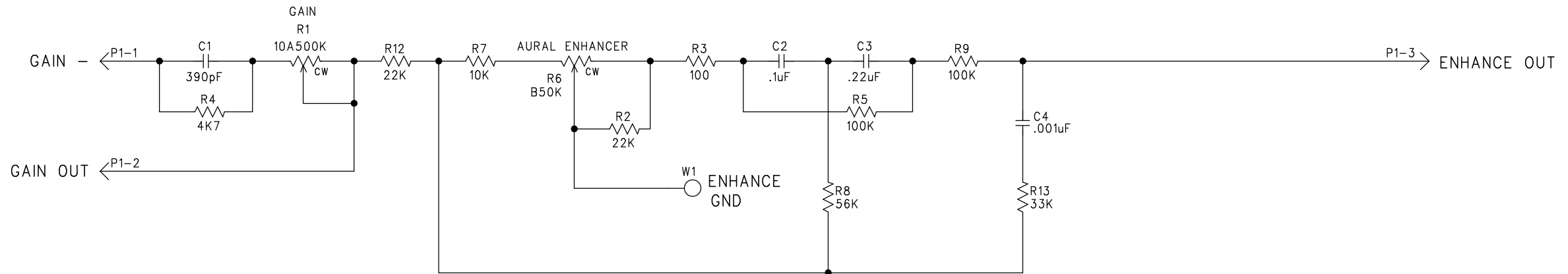
2

1

REVISION RECORD			
LTR	ECO NO:	APPROVED:	DATE:

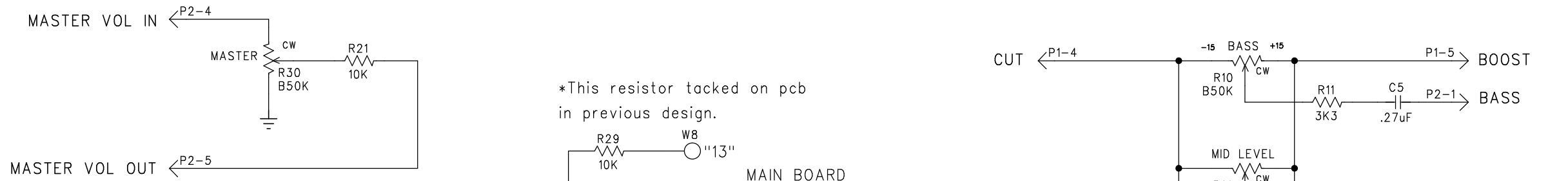
D

D

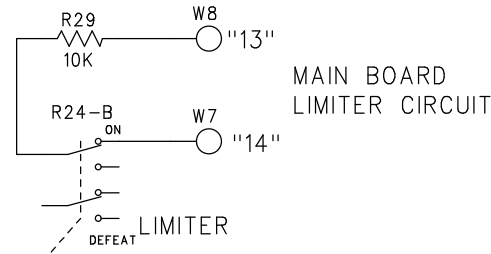


C

C

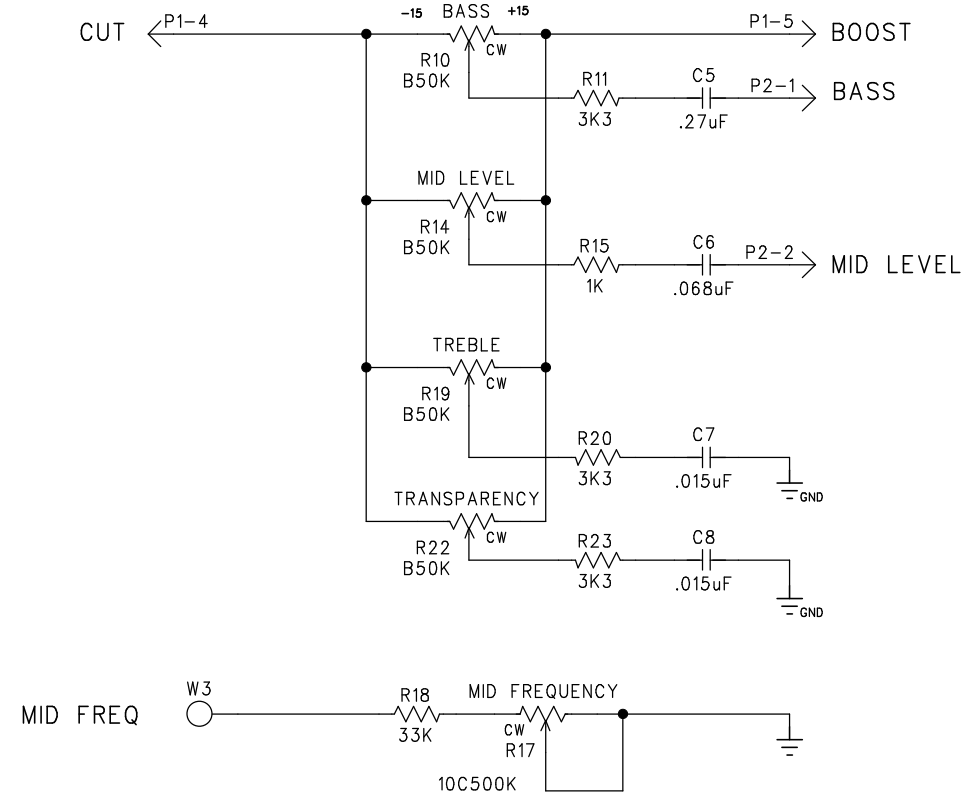
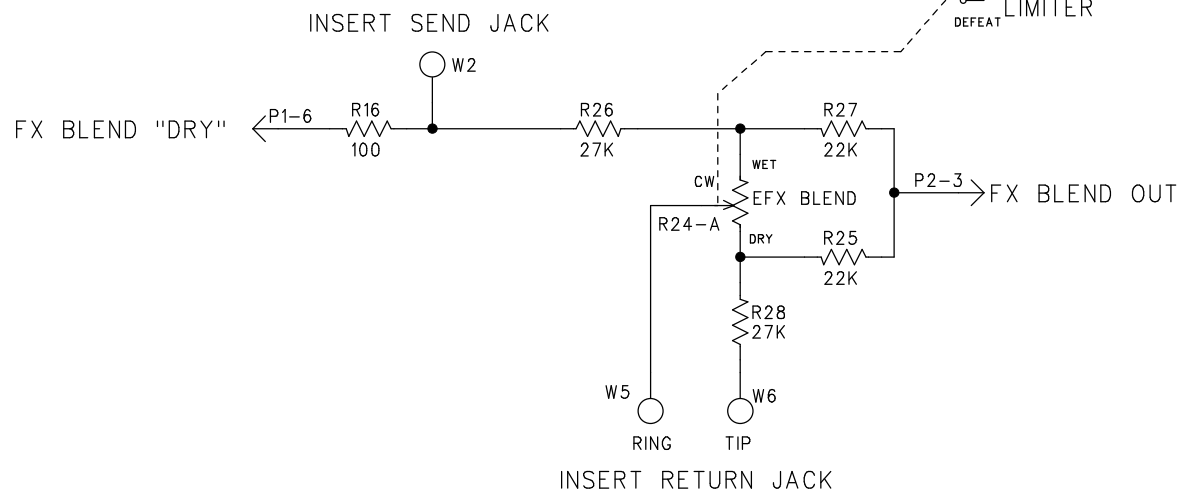


*This resistor tacked on pcb in previous design.



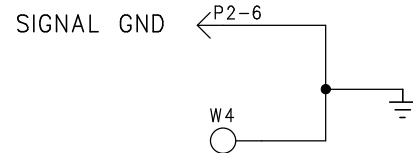
B

B



A

A



- NOTES:
 UNLESS OTHERWISE NOTED:
 1. ALL RESISTORS ARE 5% 1/4W
 2. REFERENCE DESIGNATORS STARTING WITH "W" INDICATE PADS FOR WIRES THAT ARE SOLDERED TO THE PCB.
 3. ALL RESISTOR VALUES IN OHMS

COMPANY: SWR Sound Corporation 9130 Glenoaks Blvd., Sun Valley, CA 91352	
TITLE: Workingman's 15/2004 Control/ EQ PCB	
SIZE: Part #170022 C Assy #700034	REV: C
Date: 12MAR03	Engineer: Drawn by: JY
Filename:	SHEET: 1 OF 1