

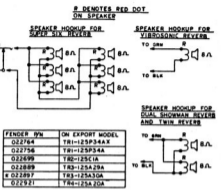
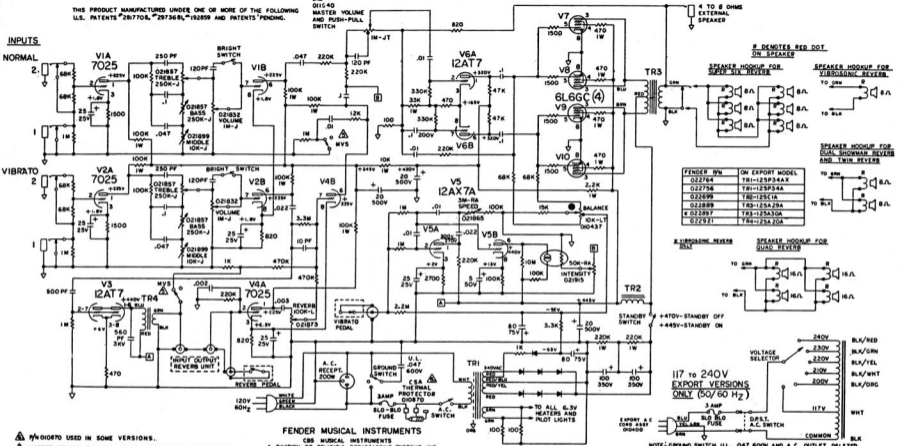
THIS PRODUCT MANUFACTURED UNDER ONE OR MORE OF THE FOLLOWING U.S. PATENTS 2877708, 2973681, 192899 AND PATENTS PENDING.

⚠️ 015-40
MASTER VOLUME
AND PUSH-PULL
SWITCH

INPUTS

NORMAL

VIBRATO



- ⚠️ 010470 USED IN SOME VERSIONS.
- MASTER VOLUME PUSH-PULL SWITCH DESIGNATED MVS SHOWN IN "OUT" POSITION, PUSH IN FOR PURE SOUND. USED IN SOME VERSIONS.
- FENDER #N FOR CONTROLS INDICATED.
- ALL CAPACITORS AT LEAST 600V, W.V.D.C.
- ALL RESISTORS 1/2 WATT ± 10%.
- VOLTAGES READ TO GROUND WITH V.T.V.M. WITH VIBRATO GROUNDING (EXCEPT V5) - NO INPUT SIGNAL.

FENDER MUSICAL INSTRUMENTS
CBS MUSICAL INSTRUMENTS
A DIVISION OF COLUMBIA BROADCASTING SYSTEMS INC.
FULLERTON, CALIFORNIA
U.S.A.

MODEL NO.	USED ON	UNLESS OTHERWISE SPECIFIED	DATE	BY
VIBROSONIC REV. EXP.	11/17/71	ROSALES	11/17/71	
VIBROSONIC REVERB 1				
SUPER SIX REVERB EXP.				
QUAD REVERB (EXPORT)				
DUAL SHOWMAN REV. EXP.				
TWIN REVERB EXPORT				
SUPER SIX REVERB				
QUAD REVERB				
DUAL SHOWMAN REVERB				
TWIN REVERB				

SCALE: 1" = 10"

DATE: 11/17/71

BY: ROSALES

SCALE: 1" = 10"

DATE: 11/17/71

BY: ROSALES

SCALE: 1" = 10"

DATE: 11/17/71

BY: ROSALES

CBS MUSICAL INSTRUMENTS
FULLERTON, CALIFORNIA

— SCHEMATIC —

100 WATTS RMS AMP

W/REVERB AND VIBRATO

REV. NO. 1
REV. DATE 11/17/71
SCALE 1" = 10"
FORM SEVERAL
PART 1 OF 1

010182