

6

5

4

3

2

1

REVISION RECORD			
LTR	ECO NO:	APPROVED:	DATE:

D

D

C

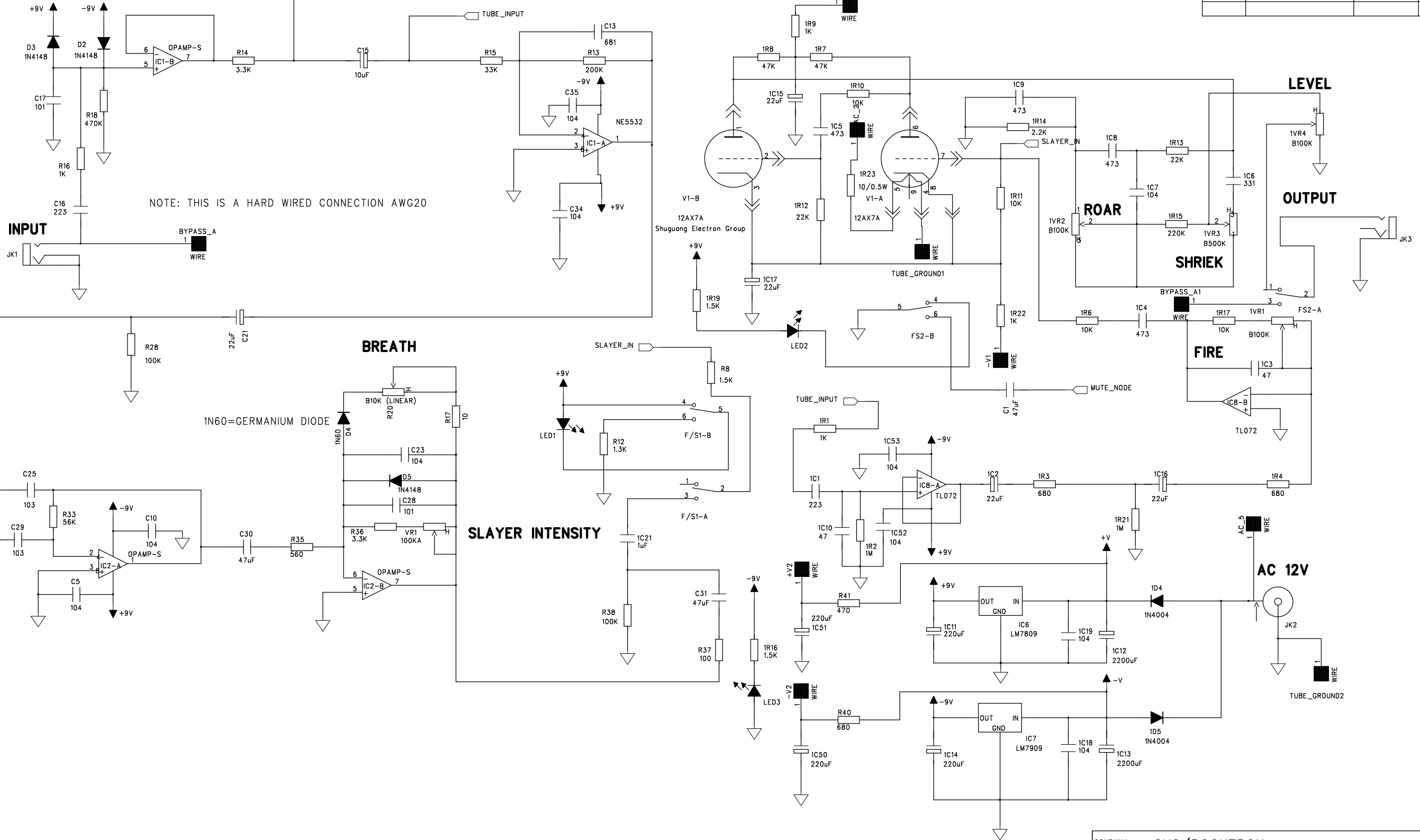
C

B

B

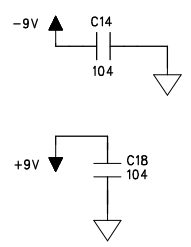
A

A



NOTE: THIS IS A HARD WIRED CONNECTION AWG20

REVISION NOTES:
FIXED FLOATING PIN 3 OF IC1A



COMPANY: GHS/ROCKTRON		TITLE: SILVER DRAGON	
DRAWN:	DATED:	CODE:	SIZE:
CHECKED: BP	DATED: 12-10-2003	DRAWING NO:	REV: 3.00
QUALITY CONTROL:	DATED:	SCALE:	SHEET: OF
RELEASED:	DATED:		