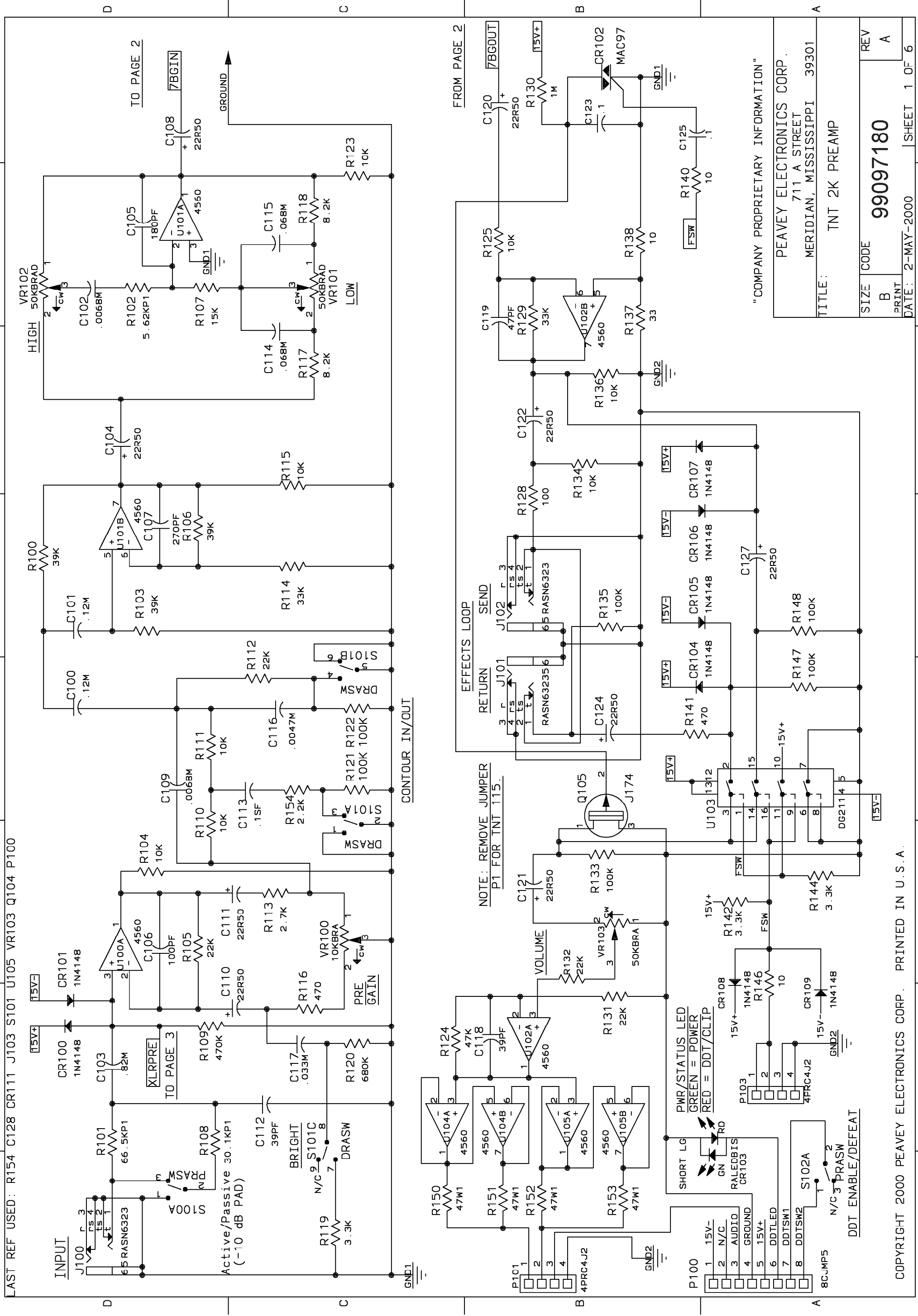


LAST REF USED: R154 C128 CR111 J103 S101 U105 VR103 Q104 P100



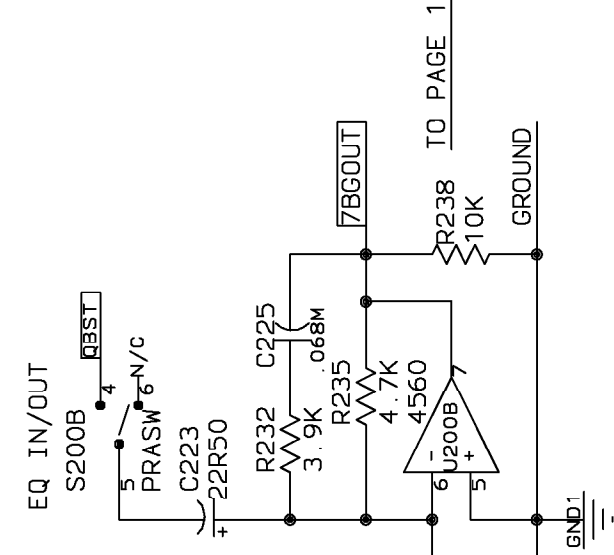
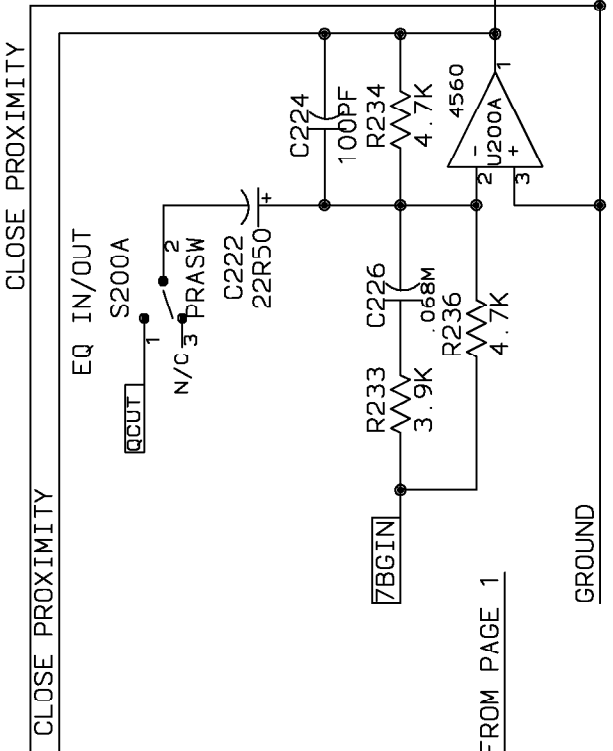
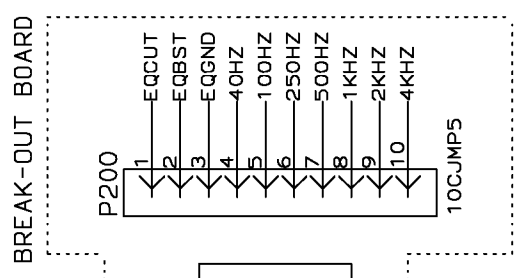
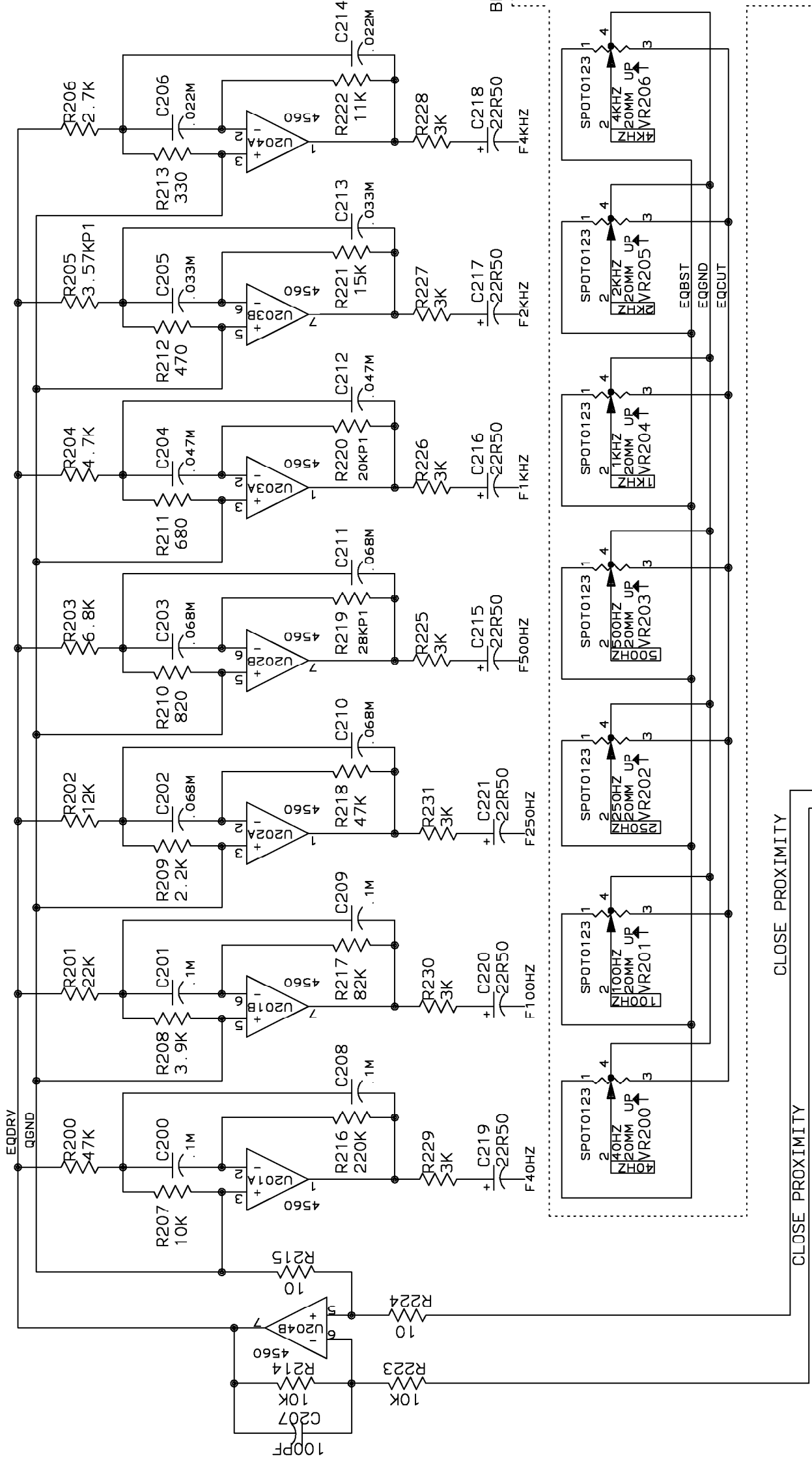
D C B A

"COMPANY PROPRIETARY INFORMATION"
 PEAVEY ELECTRONICS CORP.
 711 A STREET
 MERIDIAN, MISSISSIPPI 39301
 TITLE: TNT 2K PREAMP

REV A
 SIZE B
 PRINT DATE: 2-MAY-2000
 SHEET 1 OF 6

COPYRIGHT 2000 PEAVEY ELECTRONICS CORP. PRINTED IN U.S.A.

NOTE HIGHEST REF: R238 C226 U204 S200 VR206



"COMPANY PROPRIETARY INFORMATION"

PEAVEY ELECTRONICS CORP.
711 A STREET
MERIDIAN, MISSISSIPPI 39301

TITLE: TNT Graphic Equalizer

SIZE B

99097180

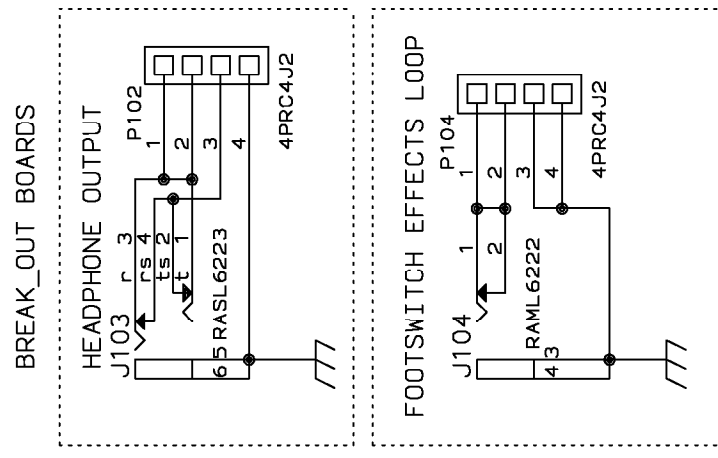
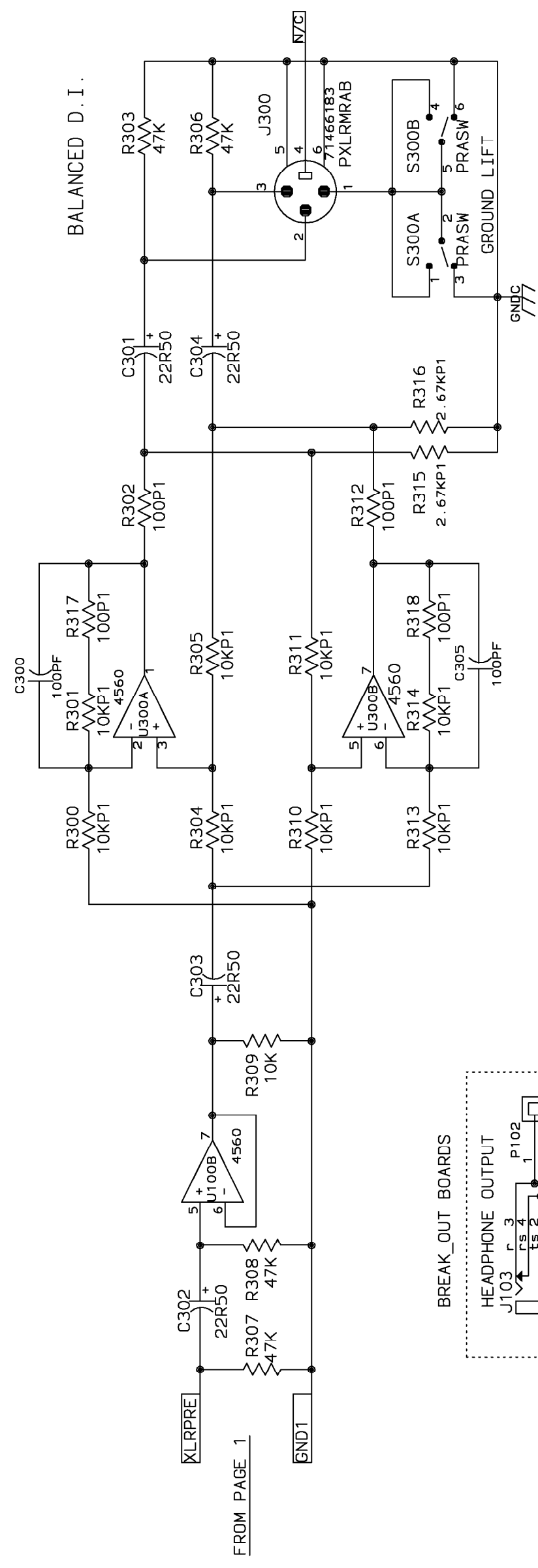
REV A

DATE: 2-MAY-2000

SHEET 2 OF 6

NOTE HIGHEST REF: R316 C305 U300 J300 S300

D C B A



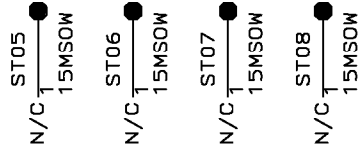
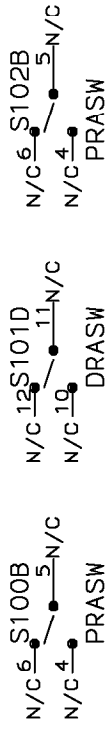
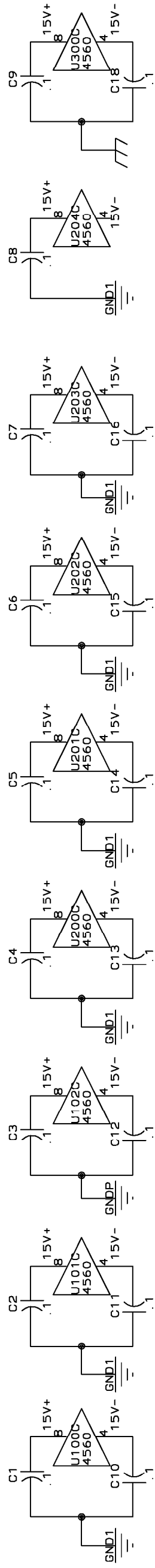
"COMPANY PROPRIETARY INFORMATION"

PEAVEY ELECTRONICS CORP.
711 A STREET
MERIDIAN, MISSISSIPPI 39301

TITLE: TNT 2000 PREAMP DIRECT OUT

SIZE	CODE	REV
B		A
PRINT		
DATE:	2-MAY-2000	SHEET 3 OF 6

NOTE HIGHEST REF.: U402 C22 TB1 HS3

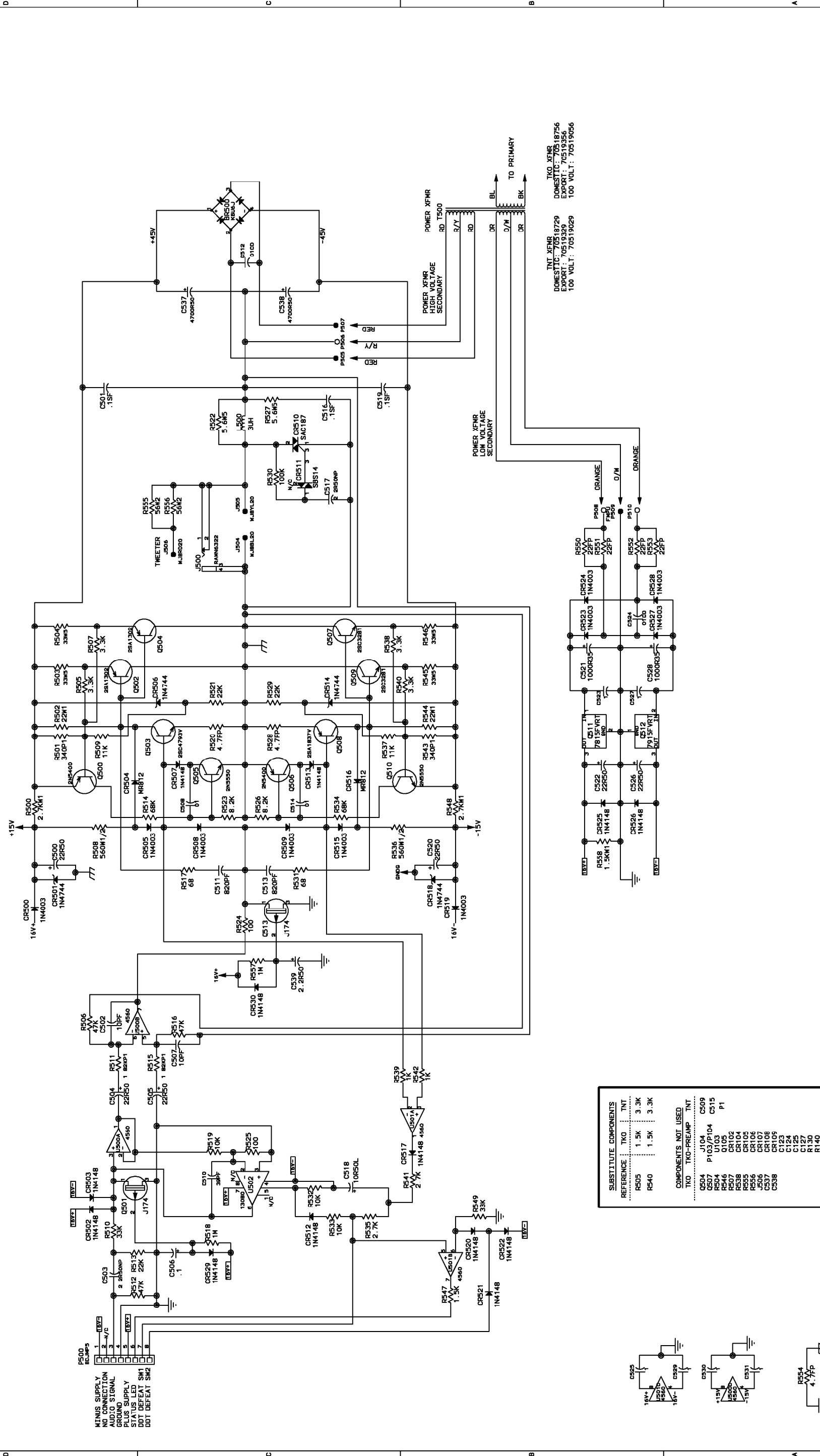


"COMPANY PROPRIETARY INFORMATION"

PEAVEY ELECTRONICS CORP.
711 A STREET
MERIDIAN, MISSISSIPPI 39301

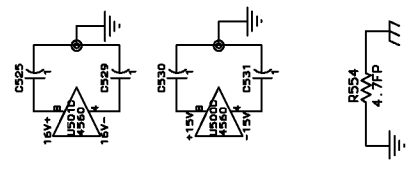
TITLE: TNT DECOUPLING CAPS

SIZE	CODE	REV
B	99097180	A
PRINT		
DATE:	2-MAY-2000	SHEET 4 OF 6



SUBSTITUTE COMPONENTS		
REFERENCE	TKO	TNT
R505	1.5K	3.3K
R540	1.5K	3.3K

COMPONENTS NOT USED		
TKO	TKO-PREAMP	TNT
Q504	J104	C509
Q507	P103/P104	C515
R504	U103	C515
R505	U103	P1
R507	C510	
R508	CR104	
R509	CR105	
R510	CR106	
R511	CR107	
R512	CR108	
R513	CR109	
R514	CR110	
R515	CR111	
R516	CR112	
R517	CR113	
R518	CR114	
R519	CR115	
R520	CR116	
R521	CR117	
R522	CR118	
R523	CR119	
R524	CR120	
R525	CR121	
R526	CR122	
R527	CR123	
R528	CR124	
R529	CR125	
R530	CR126	
R531	CR127	
R532	CR128	
R533	CR129	
R534	CR130	
R535	CR131	
R536	CR132	
R537	CR133	
R538	CR134	
R539	CR135	
R540	CR136	
R541	CR137	
R542	CR138	
R543	CR139	
R544	CR140	
R545	CR141	
R546	CR142	
R547	CR143	
R548	CR144	
R549	CR145	
R550	CR146	
R551	CR147	
R552	CR148	



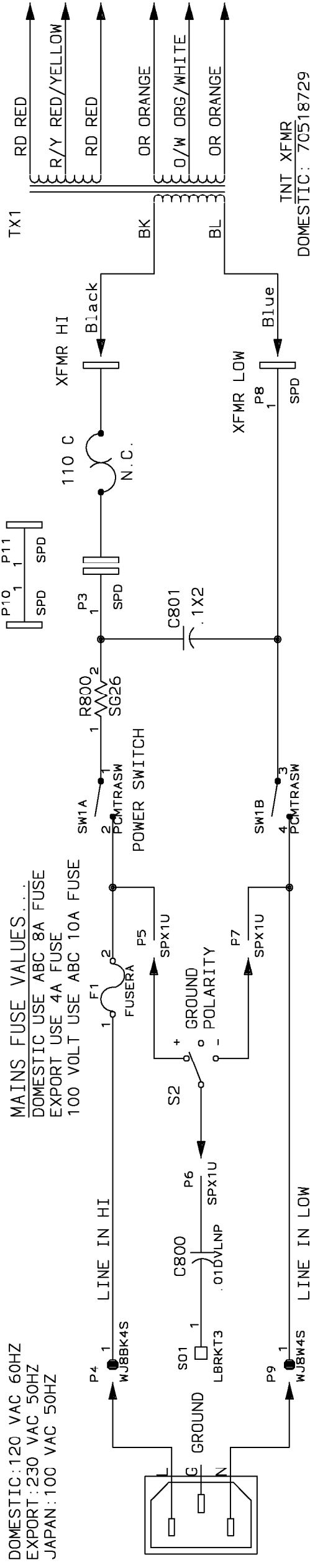
TNT XFMR
 DOMESTIC: 70518729
 EXPORT: 70519156
 100 VOLTS: 70519029

TKO XFMR
 DOMESTIC: 70518756
 EXPORT: 70519156
 100 VOLTS: 70519056

D C B A

DOMESTIC: 120 VAC 60HZ
 EXPORT: 230 VAC 50HZ
 JAPAN: 100 VAC 50HZ

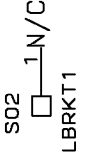
MAINS FUSE VALUES...
 DOMESTIC USE ABC 8A FUSE
 EXPORT USE 4A FUSE
 100 VOLT USE ABC 10A FUSE



TNT XFMR
 DOMESTIC: 70518729
 EXPORT: 70519329
 100 VOLT: 70519029

TKO XFMR
 DOMESTIC: 70518756
 EXPORT: 70519356
 100 VOLT: 70519056

DOMESTIC: USE C800
 EXPORT: USE C803

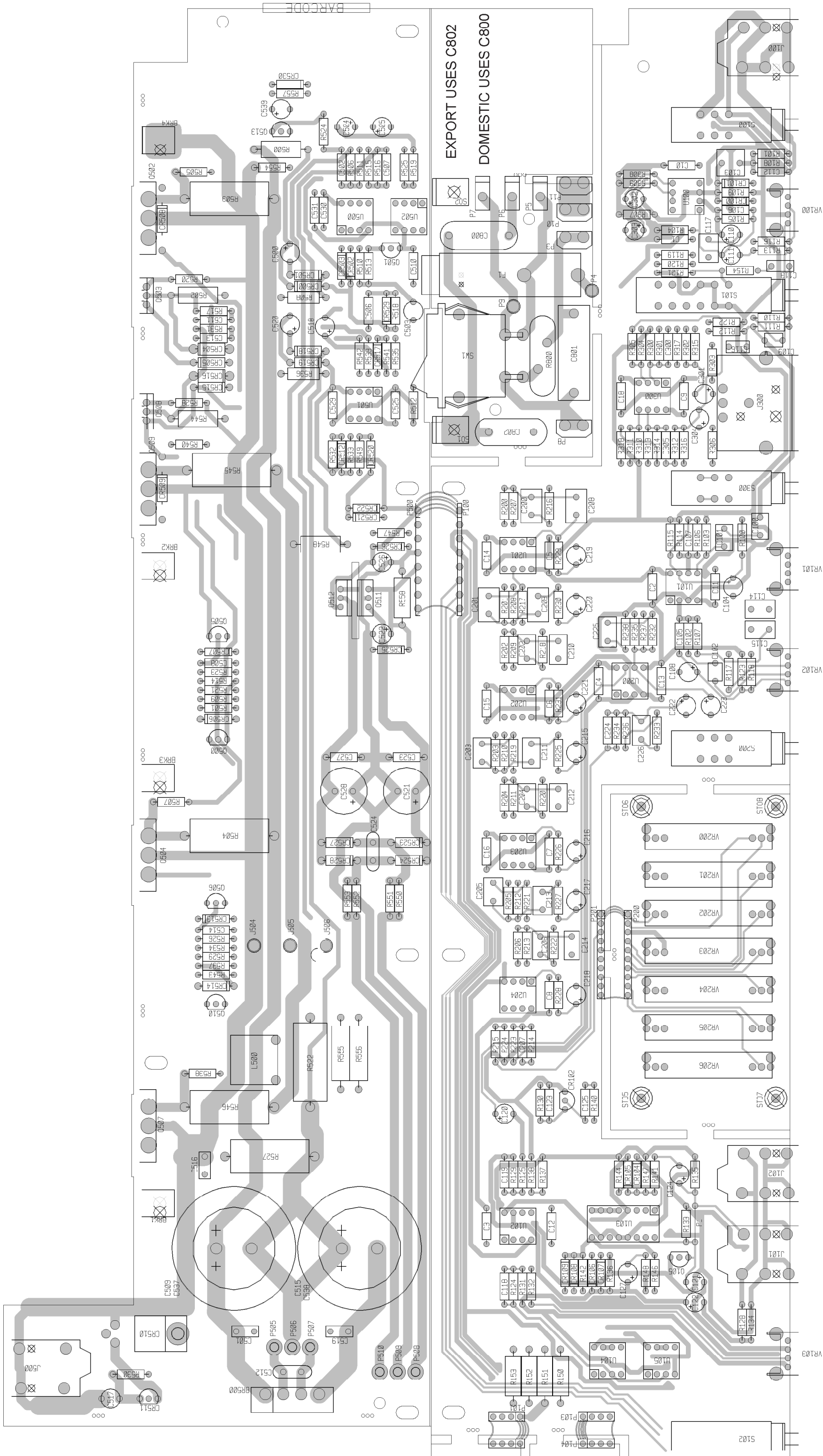


"COMPANY PROPRIETARY INFORMATION"

PEAVEY ELECTRONICS CORP.
 711 A STREET
 MERIDIAN, MISSISSIPPI 39301

TITLE: TNT Primary

SIZE	CODE	REV
B	99097180	B
PRINT		
DATE:	2-MAY-2000	SHEET 6 OF 6



EXPORT USES C802
 DOMESTIC USES C800

TNT/TKO PWRAMP/PREAMP

BARCODE

BILL OF MATERIALS REPORT

BOARD NAME: TNT2K REPORT DATE: 13NOV00
ASSEMBLY LEVEL NUMBER: 99097180/18DESIGNER: GARY GOODIN/ELBERT
COLEMAN-UPDATE PROJECT NUMBER: P9800145

CBDS PART PART DESCRIPTION AND
QTY.NAME VALUE NUMBER DEVICE DESIGNATIONS ***

C200, C201, C208, C209
4 .15F .15F 70330113 0.10 MFD 10% 100V STCK FILM T&A
C113, C501, C516, C519
1 .1X2 70320298 70320298 .1MF 250VAC X2 20%

C801
4 .33W5 .33W5 70250003 .33--5W--10%--WW--AXL
R503, R504, R545, R546
1 .82M .82M 70330122 .82mf 5% 50vdc my T&A
C103
1 1.5K 1.5K 70240018 1.5K-|/4W--5%---CF--T&R

R547
1 1.5KW1 1.5KW1 70210007 1.5K-1W----5%---MO--T&R
R558
2 1.82KP1 1.82KP1 70241078 1.82K-1/4W--1%---CF--T&R
R511, R515
5 10 10 70240003 10----1/4W--5%---CF--T&R
R138, R140, R146, R215, R224
3 100 100 70240010 100---1/4W--5%---CF--T&R

R128, R524, R525
2 1000R35 1000R35 70320186 1000MF----20%---35VDC--EL--T&A
C521, C528
7 100K 100K 70240034 100K--1/4W--5%---CF--T&R
R121, R122, R133, R135, R147, R148, R530
4 100P1 100P1 70241075 100---1/4W--1%---MF--AXL
R302, R312, R317, R318
5 100PF 100PF 70340054 100PF-----10%---50VDC---T/C---T&R
C106, C207, C224, C300, C305
2 10CIMP5 70600132 70600132 10 C P-TIN 100 5" JMPR
P200, P201
16 10K 10K 70240025 10K---1/4W--5%---CF--T&R
R104, R110, R111, R115, R123, R125,
R134, R136, R207, R214, R223, R238,
R309, R519, R532, R533
1 10KBRA 71190900 71190900 10KB-12MM-R/A D-SHAFT
VR100
8 10KPI 10KPI 70241050 10K---1/4W--1%---MF--T&R

R300, R301, R304, R305, R310, R311,
R313, R314
2 10PF 10PF 70340050 10PF-----5%-----T/C---T&R
C502, C507
1 10R50L 10R50L 70320185 10MF-----20%---50VDC---LL--T&A
C518
3 11K 11K 70240069 11K---1/4W--5%---CF--T&R
R222, R509, R537
1 12K 12K 70240057 12K---1/4W--5%---CF--T&R
R202

70413080 LM3080N CUSTOM SELECTED
U502
2 15K 15K 70240027 15K---1/4W--5%---CF--T&R
R107, R221
4 15MSOW 70901837 70901837 SPACER, 15mm-r(#4) .187 swage alum.
STO5, STO6, STO7, STO8
1 180PF 180PF 70340056 180PF-----10%---50VDC---T/C---T&R
C105
2 1K 1K 70240017 1K---1/4W--5%---CF--T&R
R539, R542
3 1M 1M 70240039 1M---1/4W--5%---CF--T&R
R130, R518, R557
10 1N4003 1N4003 70464003 1N4003 200V SILICON DIODE
CR500, CR505, CR508, CR509, CR515,
CR519, CR523, CR524, CR527, CR528
21 1N4148 4148 70464148 1N4148 75V 10MA SILICON DIODE
CR100, CR101, CR104, CR105, CR106,
CR107, CR108, CR109, CR502, CR503,
CR507, CR512, CR513, CR517, CR520,
CR521, CR522, CR525, CR526, CR529, CR530
4 1N4744 4744 70440102 SZG40102 15V 5% ZENER DIODE
CR501, CR506, CR514, CR518
2 2.2K 2.2K 70240020 2.2K--1/4W--5%---CF--T&R
R154, R209
1 2.2R50 2.2R50 70320180 2.2MF-----20%---50VDC---EL--T&A

2	2.2R50NP	2.2R50NP	70320184	2.2MF-----20%-----50VDC---NP--T&A	C539	2	2SC3281	2SC3281	70468200	200V PLASTIC NPN POWER TRANSISTOR	Q508	2	2SC3281	2SC3281	70468200	200V PLASTIC NPN POWER TRANSISTOR	Q508
2	2.67KP1	2.67KP1	70241018	2.67K-1/4W--1%-----MF--T&R	C503, C517	1	2SC4793V	2SC4793V	70404793	NPN TRAN TO-220 230V 1A VERT	Q507, Q509	1	2SC4793V	2SC4793V	70404793	NPN TRAN TO-220 230V 1A VERT	Q507, Q509
4	2.7K	2.7K	70240021	2.7K--1/4W--5%-----CF--T&R	R315, R316	7	3.3K	3.3K	70240022	3.3K--1/4W--5%-----CF--T&R	Q503	7	3.3K	3.3K	70240022	3.3K--1/4W--5%-----CF--T&R	Q503
2	2.7KW1	2.7KW1	70210016	2.7K--1W----5%-----MO--T&R	R113, R206, R535, R541	1	3.57KP1	3.57KP1	70240108	3.57K 1% 1/4W MF T&R	R119, R142, R144, R505, R507, R538, R540	1	3.57KP1	3.57KP1	70240108	3.57K 1% 1/4W MF T&R	R119, R142, R144, R505, R507, R538, R540
1	20KP1	20KP1	70241040	20K---1/4W--1%-----MF--T&R	R500, R548	3	3.9K	3.9K	70241093	3.9K--1/4W--5%-----CF--AXL	R205	3	3.9K	3.9K	70241093	3.9K--1/4W--5%-----CF--AXL	R205
1	220K	220K	70240036	220K--1/4W--5%-----CF--T&R	R220	1	30.1KP1	30.1KP1	70241031	30.1K-1/4W--1%-----MF--T&R	R208, R232, R233	1	30.1KP1	30.1KP1	70241031	30.1K-1/4W--1%-----MF--T&R	R208, R232, R233
4	22FP	22FP	70240100	22FP--1/4W--5%-----FP----	R216	1	33	33	70240004	33----1/4W--5%-----CF--T&R	R108	1	33	33	70240004	33----1/4W--5%-----CF--T&R	R108
8	22K	22K	70240029	22K---1/4W--5%-----CF--T&R	R550, R551, R552, R553	1	330	330	70240014	330---1/4W--5%-----CF--T&R	R137	1	330	330	70240014	330---1/4W--5%-----CF--T&R	R137
28	22R50	22R50	70320181	22MF-----20%-----50VDC---EL--T&A	R105, R112, R131, R132, R201, R513, R521, R529	2	3300R80	3300R80	70320132	3300MF - 20% - 80VDC - EL - R/S	R213	2	3300R80	3300R80	70320132	3300MF - 20% - 80VDC - EL - R/S	R213
1	28KP1	28KP1	70241025	28K---1/4W--1%-----MF--T&R	C104, C108, C110, C111, C120, C121, C122, C124, C127, C215, C216, C217, C218, C219, C220, C221, C222, C223, C301, C302, C303, C304, C500, C504, C505, C520, C522, C526	4	33K	33K	70240030	33K---1/4W--5%-----CF--T&R	C509, C515	4	33K	33K	70240030	33K---1/4W--5%-----CF--T&R	C509, C515
1	270PF	270PF	70340057	270PF-----10%-----50VDC---T/C----T&R	R502, R544	3	39PF	39PF	70340052	39PF-----50VDC---T/C----T&R	R100, R103, R106	3	39PF	39PF	70340052	39PF-----50VDC---T/C----T&R	R100, R103, R106
1	28KP1	28KP1	70241025	28K---1/4W--1%-----MF--T&R	C107	7	3K	3K	70240071	3K--1/4W--5%-----CF--T&R	C112, C118, C510	7	3K	3K	70240071	3K--1/4W--5%-----CF--T&R	C112, C118, C510
2	2N5400	5400	70460761	761/2N5400 120V 10MA TO-92 PNP T&A	R219	1	3UH	3UH	70519939	3 UHY INDUCTOR	R225, R226, R227, R228, R229, R230, R231	2	560W1/2	560W1/2	70230044	560---1/2W---5%-----FP---T&R	R225, R226, R227, R228, R229, R230, R231
2	2N5550	5550	70465559	2N5550 TO-92 NPN TRANS T&A	Q500, Q506	3	4.7FP	4.7FP	70240094	4.7FP-1/4W--10%-----FP--T&R	L500	2	56W2	56W2	70250161	56---2W---5%-----MO---T&R	L500
2	2SA1302	2SA1302	70458200	200V PLASTIC PNP POWER TRNASTISOR	Q505, Q510	5	4.7K	4.7K	70240023	4.7K--1/4W--5%-----CF--T&R	R520, R528, R554	1	6.8K	6.8K	70240024	6.8K--1/4W--5%-----CF--T&R	R520, R528, R554
1	2SA1837V	2SA1837V	70401837	PNP TRAN TO-220 230V 1A VERT	Q502, Q504	1	2SA1837V	2SA1837V	70401837	PNP TRAN TO-220 230V 1A VERT	R204, R234, R235, R236, R237	1	2SA1837V	2SA1837V	70401837	PNP TRAN TO-220 230V 1A VERT	R204, R234, R235, R236, R237
13	4560	4560	70414560	4560 DUAL OP AMP IC	U100, U101, U102, U104, U105, U200, U201, U202, U203, U204, U300, U500, U501	3	470	470	70240015	470---1/4W--5%-----CF--T&R	R116, R141, R212	3	470	470	70240015	470---1/4W--5%-----CF--T&R	R116, R141, R212
1	4700PFY	4700PFY	70320125	4700PF, 400VAC EXP LINE CAP Y	C802	1	4700PFY	4700PFY	70320125	4700PF, 400VAC EXP LINE CAP Y	C802	1	4700PFY	4700PFY	70320125	4700PF, 400VAC EXP LINE CAP Y	C802
2	4700R50	4700R50	70320260	4700MF-----20%-----50VDC--EL--r/s	C537, C538	2	4700R50	4700R50	70320260	4700MF-----20%-----50VDC--EL--r/s	C537, C538	2	4700R50	4700R50	70320260	4700MF-----20%-----50VDC--EL--r/s	C537, C538
1	470K	470K	70240038	470K--1/4W--5%-----CF--T&R	R109	1	470K	470K	70240038	470K--1/4W--5%-----CF--T&R	R109	1	470K	470K	70240038	470K--1/4W--5%-----CF--T&R	R109
10	47K	47K	70240031	47K---1/4W--5%-----CF--T&R	R124, R200, R218, R303, R306, R307, R308, R506, R512, R516	10	47K	47K	70240031	47K---1/4W--5%-----CF--T&R	R109	10	47K	47K	70240031	47K---1/4W--5%-----CF--T&R	R109
1	47PF	47PF	70340067	47PF-----10%-----50VDC---T/C----T&R	C119	1	47PF	47PF	70340067	47PF-----10%-----50VDC---T/C----T&R	C119	1	47PF	47PF	70340067	47PF-----10%-----50VDC---T/C----T&R	C119
4	47W1	47W1	70210011	47---1W---5%-----MO--T&R	R150, R151, R152, R153	4	47W1	47W1	70210011	47---1W---5%-----MO--T&R	R150, R151, R152, R153	4	47W1	47W1	70210011	47---1W---5%-----MO--T&R	R150, R151, R152, R153
4	4PRC4J2	4PRC4J2	70500034	4C PRE-TIN .100 CTR 4" JUMPER (SPLIT VERSION)	P101, P102, P103, P104	4	4PRC4J2	4PRC4J2	70500034	4C PRE-TIN .100 CTR 4" JUMPER (SPLIT VERSION)	P101, P102, P103, P104	4	4PRC4J2	4PRC4J2	70500034	4C PRE-TIN .100 CTR 4" JUMPER (SPLIT VERSION)	P101, P102, P103, P104
1	5.62KP1	5.62KP1	7024H008	5.62K-1/4W--1%-----MF--T&R	R102	1	5.62KP1	5.62KP1	7024H008	5.62K-1/4W--1%-----MF--T&R	R102	1	5.62KP1	5.62KP1	7024H008	5.62K-1/4W--1%-----MF--T&R	R102
2	5.6W5	5.6W5	70250026	5.6--5W--10%--WW--AXL	R522, R527	2	5.6W5	5.6W5	70250026	5.6--5W--10%--WW--AXL	R522, R527	2	5.6W5	5.6W5	70250026	5.6--5W--10%--WW--AXL	R522, R527
1	50KBRA	50KBRA	71190904	50KB--12MM--R/A D-SHAFT	VR103	1	50KBRA	50KBRA	71190904	50KB--12MM--R/A D-SHAFT	VR103	1	50KBRA	50KBRA	71190904	50KB--12MM--R/A D-SHAFT	VR103
2	50KBRAD	50KBRAD	71190905	50KB W/DIT--12MM--R/A D-SHAFT	VR101, VR102	2	50KBRAD	50KBRAD	71190905	50KB W/DIT--12MM--R/A D-SHAFT	VR101, VR102	2	50KBRAD	50KBRAD	71190905	50KB W/DIT--12MM--R/A D-SHAFT	VR101, VR102

1	66.5KPI	66.5KPI	70240128	66.5K 1% 1/4W MF T&R	PI	1	KBU6J	70400605	6A, 600V, INLINE DIODE BRIDGE RECTIFIER	P3, P8, P10, P11	7	SPT0123	71190123	71190123	50KW 20MM SLIDER W/DDT & TAP	
2	68		70240009	68----1/4W--5%----CF--T&R	BR500					VR200, VR201, VR202, VR203, VR204,						
1	680		70240016	680---1/4W--5%----CF--T&R	BRK1, BRK2, BRK3, SO2	4	LBRKTI	71500238	71500238 #74 L-BRACKET W/4-40 HOLE	VR205, VR206	3	SPXIU	SPXIU	73717003	1 STAKE PIN	
1	680K		70240065	680K---1/4W--5%----CF--T&R	BRK4, SO1	2	LBRKT3	71500238	71500238 #74 L-BRACKET W/.125 DIA. HOLE	P5, P6, P7	1	WJ8BK4S	WJ8BK4S	91090508	BLACK-18GA-4"-CPT TO 250 SPADE	
2	68K		70240032	68K---1/4W--5%----CF--T&R	CR102	1	MAC97	MAC97	70460097	MAC97-6 400V .6A TO-92 TRIAC T&A	1	WJ8BL20	WJ8BL20	91090548	BL-18G-20"-CPT-205SPD	
1	7815FVRT		7815FVRT	7815 15V 1A POS TO-220 RG VERT MNT INS	P505, P507, P509	3	MMPU	73711812	73711812 R93-12 PN C.B. MALE MOLEX PIN	J504	1	WJ8RD20	WJ8RD20	91090550	RD-18G-20"-CPT-110SPD	
1	7915FVRT		7915FVRT	7915 15V 1A NEG TO 220 RG VERT MNT INS	CR504, CR516	2	MR812	MR812	70404933	MR812 FAST RECOVERY DIODE	J505	1	WJ8W4S	WJ8W4S	91090470	WHITE--18G--4"-CPT/250SPD
4	8.2K		70240049	8.2K--1/4W--5%----CF--T&R	SW1	1	PCMTASW	PCMTASW	71322377	PC MOUNT PIGHT ANGLE POWER SWITCH	P9	1	WJ8YL20	WJ8YL20	91090549	YL-18G-20"-CPT-205SPD
1	820		70240019	820---1/4W--5%----CF--T&R	S100, S102, S200, S300	4	PRASW	PRASW	71322289	DPDT P/P CB MNT SWITCH	J505					
2	820PF		70340062	820PF-----10%-----50VDC----I/C----T&R	J300	1	PXLRMAB	71466181	71466181 XLB CONN R/A MALE W/BRKT	*****						
1	82K		70240033	82K---1/4W--5%----CF--T&R	CR103	1	RAML6222	71466222	jack mono r/a 1/4" 6.5mm	* END OF BILL OF MATERIALS REPORT *						
2	8CJMP5		70600038	8C PRE-TIN .156-5" JUMPER	J104	1	RAMN6322	71466322	JACK MONO R/A 1/4" 6.5MM NINS	*****						
1	DG211		70420211	DG211 C.I.C.	J500	1	RASL6223	71466223	jack stereo r/a 1/4" 6.5mm							
1	DRASW		71322256	PC MNT SWITCH DUAL	J103	3	RASN6323	71466323	JACK STEREO R/A 1/4" 6.5MM NINS							
3	FMPU		73711811	M118-171 C.B. FEMALE MOLEX PIN	J100, J101, J102	1	SAC187	SAC187	70400187	SAC187 200V TO220 TRIAC						
1	FUSERA		70901429	EXT. FUSEHOLDER, PC MT	CR510	1	SBS14	SBS14	70460014	SBS14 8V TO-92 BI-DIRECTIOAL SWITCH T&A						
3	J174		J174	J-174 30V TO-92 P-CHAN FET T&A	CR511	1	SG26	70240210	70240210 5 OHM, 12 A INRUSH THERMISTOR							
1	JMP		JMP	22 GA. JUMPER WIRE T&R	R800	4	SPD	73716194	73716194 .250 PC MNT SPADE .093 PCB							