

SL 160/260 PARTS LIST

SL 160/260 REVISION B

TEST POINTS

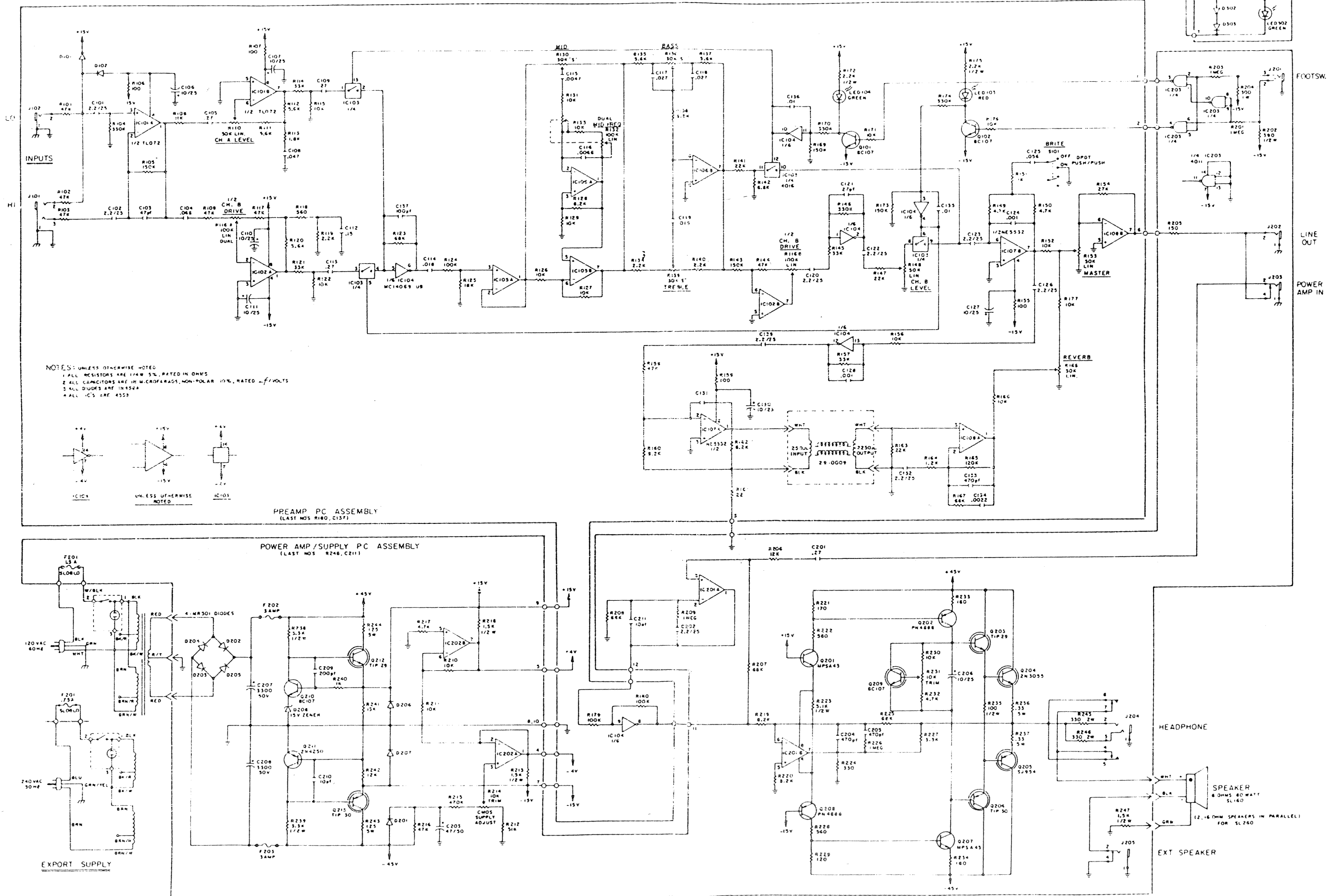
	DESCRIPTION	SUNN PART NO.
DIODES	IN4744 15V Zener	22-0150
	LED Red	22-0228
	LED Green	22-0229
	IN458A	22-0458
	MR501, 3A 100V	22-0501
TRANSISTORS:		
Q203, 212	TIP 29B	22-0229
Q206, 213	TIP 30B	22-0030
Q101, 102, 209, 210	BC 107	22-0107
Q205	SJ954	22-0954
Q204	2NB055	22-3155
Q211	2N4250	22-4250
Q202, 208	PN4888	22-4888
Q201, 207	MPS A43	22-5184
IC's	TLO 72	22-4002
	MC14011	22-4011
	MC14016	22-4016
	MC14069	22-4069
	RC4558	22-4558
	NE5532	22-5532
CONTROLS:		
Channel A level, Channel B level		
Reverb, master level	50K Lin	23-1400
Channel B Drive, Mid Freq.	100K dual lin	23-1401
Bass, Mid, Treble	30K S Curve	23-1402
SWITCHES:		
Footswitch		24-0110
Brite		24-0130
Power		24-0134
MISCELLANEOUS:		
Power Transformer		28-2117
Filter Capacitors	3300uf 50V	10-3090
Reverb Pan		29-0010
Push Button Knob		59-5549
Pointer Knob		59-6160
Lo Input Jack		67-0011
Hi Input Jack		67-0016
Footswitch, Line out, Power Amp In		
Ext. Speaker Jacks		67-3610
Headphone Jack		67-3620

TEST CONDITIONS: Line voltage - 120v AC, input signal - 38mv into HIGH GAIN or 161mv into LO GAIN at 1kHz, load - 8 ohm, control settings - channel A level, channel B level set at 5, channel B drive set at mid position, bass, mid and treble set at 0, mid frequency set at 1kHz, brite switch out, reverb off, master set to 10.

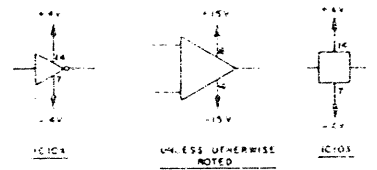
TP1	320mvp-p	TP 8	2.5vp-p
TP2	600mvp-p	TP 9	13.5vp-p
TP3	1.75vp-p	TP10	250mvp-p
TP4	1.3vp-p	TP11	6.4vp-p
TP5	450mvp-p	TP12	6.4vp-p
TP6	450mvp-p	TP13	64vp-p
TP7	630mvp-p		

BIAS SETTING: Place a DC volt meter across R235 and R237, with no load and no input signal, and with the unit at room temperature, adjust R231 for a DC voltage of 6mvDC after the unit has been on for a minute.

# SL 160 260 SCHEMATIC REV. A



NOTES: UNLESS OTHERWISE NOTED  
 1 ALL RESISTORS ARE 1/4W 5% RATED IN OHMS  
 2 ALL CAPACITORS ARE IN MICROFARADS, NON-POLAR 10% RATED -f/VOLTS  
 3 ALL DIODES ARE IN 1N57A  
 4 ALL IC'S ARE 4558



PREAMP PC ASSEMBLY  
 (LAST NOS R100, C157)

POWER AMP/SUPPLY PC ASSEMBLY  
 (LAST NOS R248, C211)

EXPORT SUPPLY

HEADPHONE

SPEAKER  
 8 OHMS 80 WATT  
 SL160

EXT SPEAKER

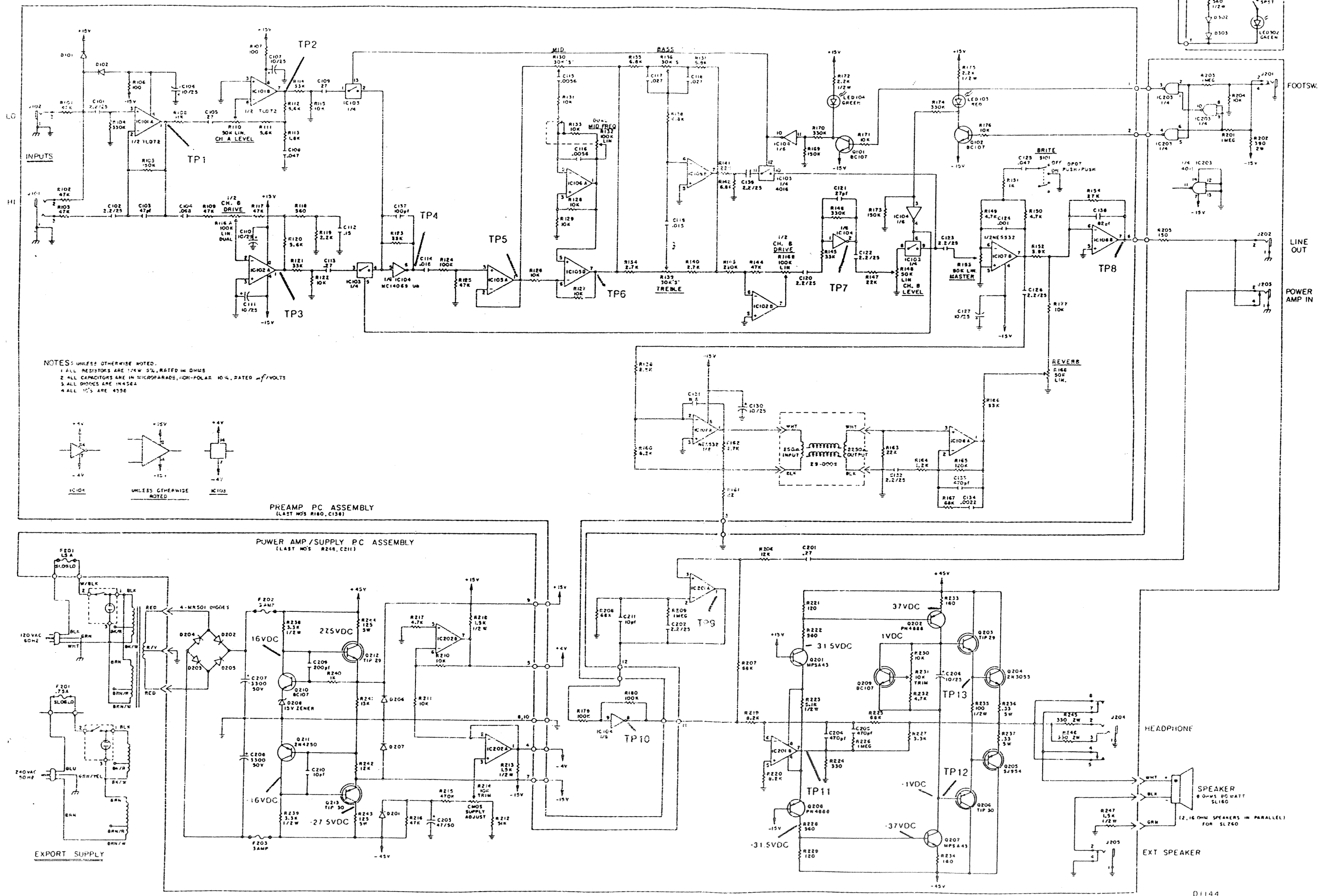
FOOTSW.

LINE OUT

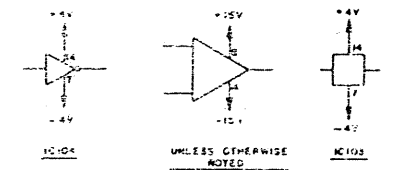
POWER AMP IN

# SL160 & SL260 SCHEMATIC

REV B



NOTES: UNLESS OTHERWISE NOTED.  
 1 ALL RESISTORS ARE 1/4W 5%, RATED IN OHMS  
 2 ALL CAPACITORS ARE IN MICROFARADS, NON-POLAR 10%, RATED  $V_r$ /VOLTS  
 3 ALL DIODES ARE 1N4564  
 4 ALL IC'S ARE 4558



PREAMP PC ASSEMBLY  
(LAST NOS. R100, C154)

POWER AMP/SUPPLY PC ASSEMBLY  
(LAST NOS. R248, C211)

EXPORT SUPPLY