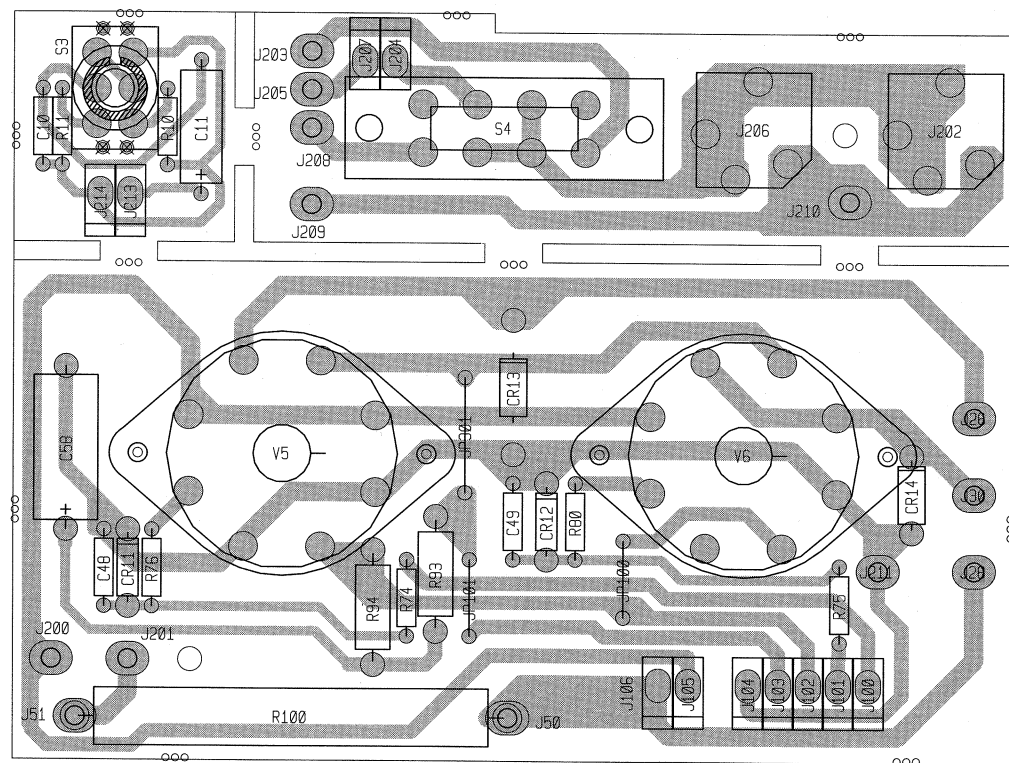
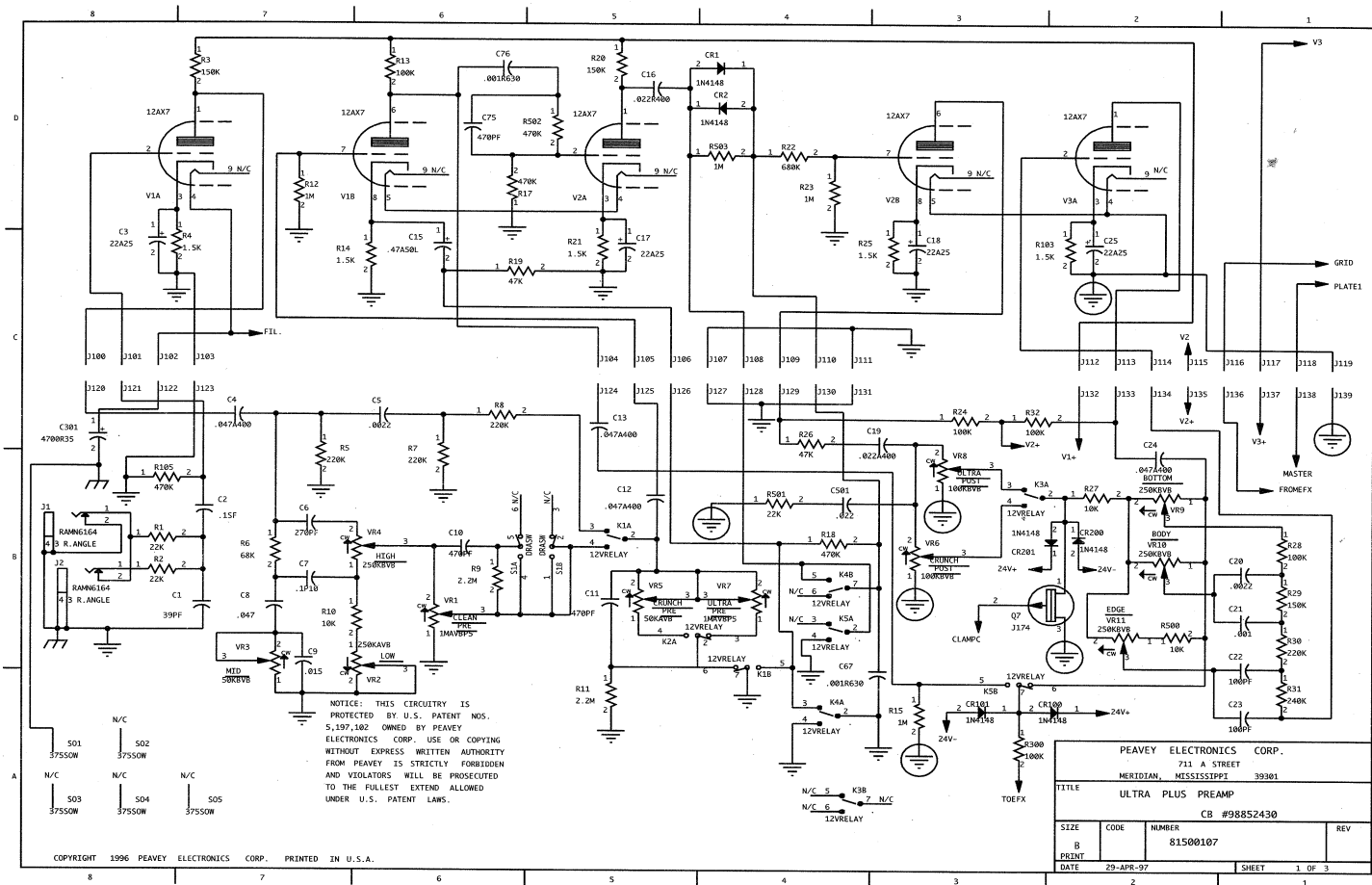
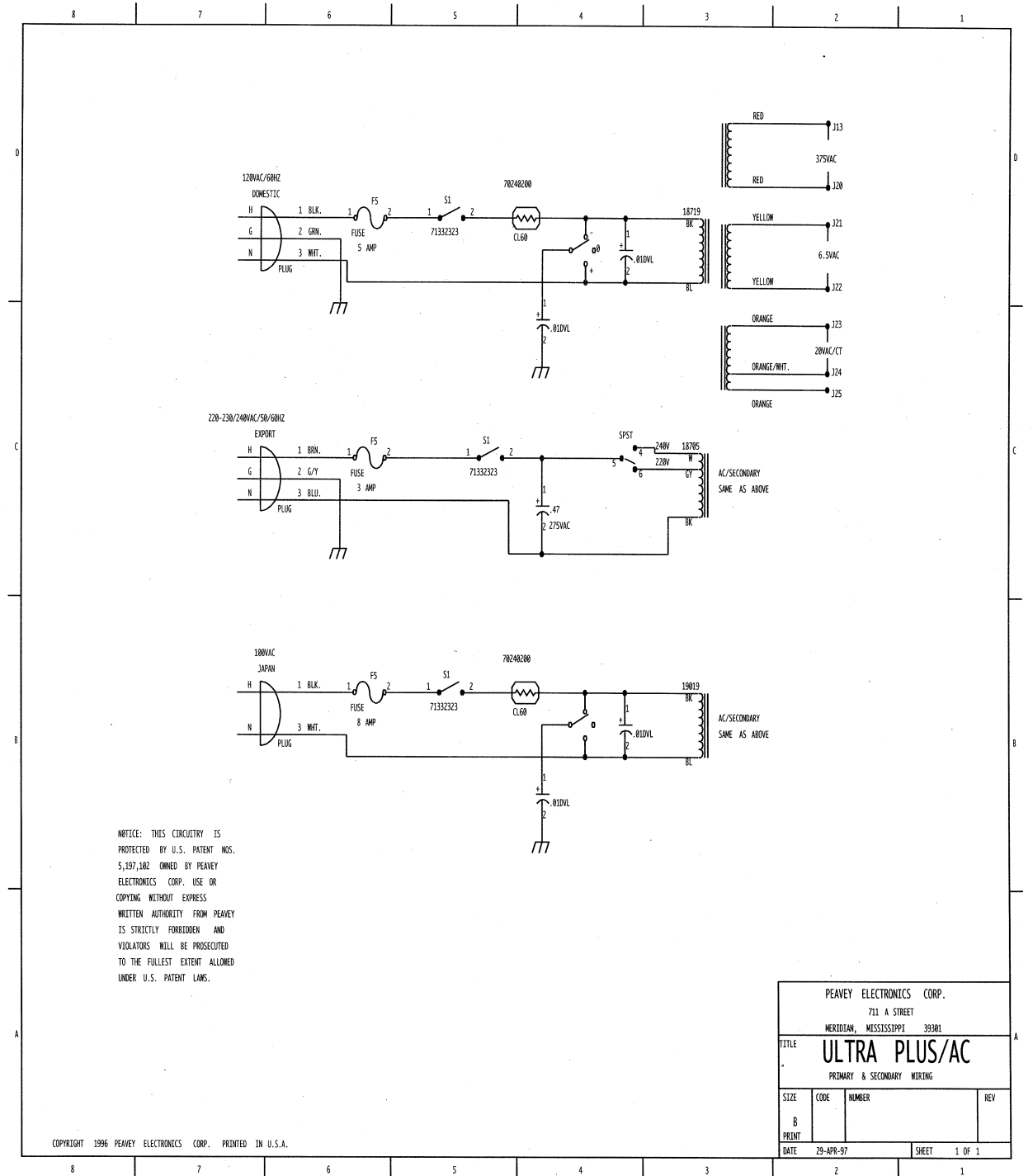


ULTRA™ 120

PEAVEY ELECTRONICS CORP.  
 711 A ST.  
 MERIDIAN, MS  
 DRAWN BY: *DRN* DATE: 3-3-91  
 C.B. CK. *DRN*  
 CK. BY: *DRN*  
 APPR. BY: *DRN*



ULTRA 60 POWER





BOARD NAME: ULTRA+PWR				DESCRIPTION AND
** QTY.	PART NAME	VALUE	PART NUMBER	DEVICE DESIGNATIONS
*****				
1	.0047	.0047	70340007	.0047MF-10%-50VDC-MON-T&R C10
1	22A25	22A25	70320012	22MFD +/-20% 25VDC EL AXL C11
2	100PF	100PF	70340054	100PF-10%-50VDC-T/C-T&R C48, C49
1	100A25	100A25	70320014	100 MFD 25VDC LYTIC CAP C58
2	1N4003	1N4003	70464003	1N4003 200V SILICON DIODE CR11, CR12
2	SR2873	SR2873	70402873	SR2873 2KV,250MA SILICON DIODE CR13, CR14
5	MMPD	73711812	73711812	R93-12 PN C.B.MALE MOLEX PIN J26, J28, J30, J50, J51
7	SPX1D	SPX1D	73717003	1 STAKE PIN J100, J101, J102, J103, J104, J105, J106
2	MMPD	73711812	73711812	R93-12 PN C.B. MALE MOLEX PIN J200, J201
1	HIDMNI	71466214	71466214	2 TIP HID JACK NINS W/SPD J202
1	MMPD	73711812	73711812	R93-12 PN C.B.MALE MOLEX PIN J203
1	SPX1D	SPX1D	73717003	1 STAKE PIN J204
1	MMPD	73711812	73711812	R93-12 PN C.B.MALE MOLEX PIN J205
1	HIDMNI	71466214	71466214	2 TIP HID JACK NINS W/SPD J206
1	SPX1D	SPX1D	73717003	1 STAKE PIN J207
4	MMPD	73711812	73711812	R93-12 PN C.B.MALE MOLEX PIN J208, J209, J210, J211
2	SPX1D	SPX1D	73717003	1 STAKE PIN J213, J214
1	82K	82K	70240033	82K-1/4W-5%-CF-T&R R10
1	330K	330K	70240037	330K-1/4W-5%-CF-T&R R11
2	22K	22K	70240029	22K-1/4W-5%-CF-T&R R74, R75
2	10K	10K	70240025	10K-1/4W-5%-CF-T&R R76, R80
2	100W1	100W1	70210003	100-1W-5%-MO-T&R R93, R94
1	400W10FP	400W10FP	70250019	400-10W-10%-FP-AXL R100
1	SW2368	71322368	71322368	SPTT TOGGLE SWITCH S3
1	SW2328	SW2328	71322328	2PTT PC MOUNT SLIDE SWITCH S4
2	6L6GC	6L6GC	70806604	6L6GC VACUUM TUBE W/8 PIN SOCKET V5, V6
*****				