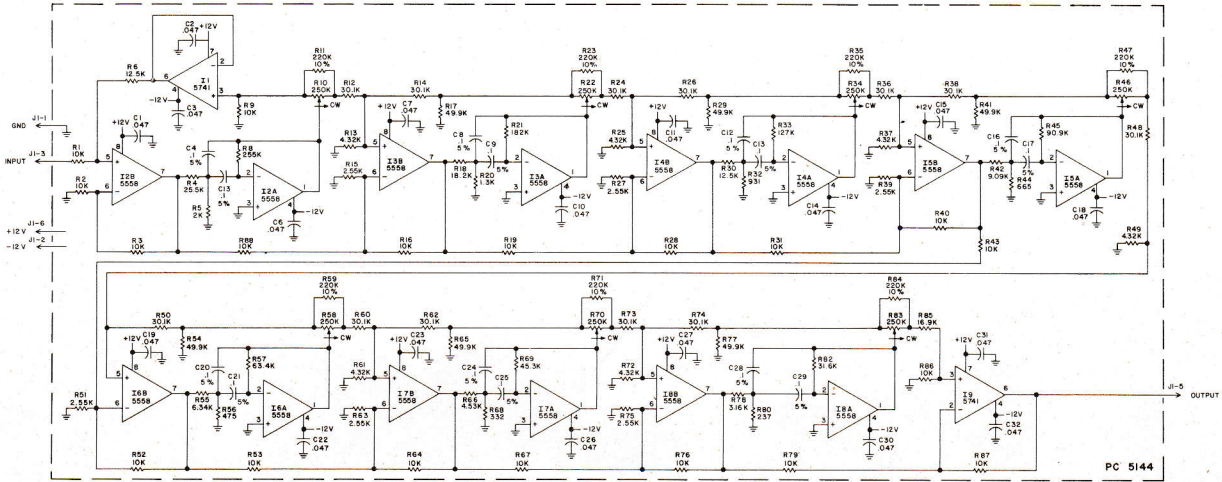


- NOTES:
 1. ALL RESISTORS ARE 1/2W, 10%, UNLESS NOTED.
 2. ALL CAPACITOR VALUES ARE IN MICROFARADS, UNLESS NOTED.
 3. VOLTAGE MEASUREMENTS ARE WITH POWER ON, NO SIGNAL, NO LOAD, AND MEASURED FROM COMMON GROUND.

HIGHEST REF NOS	REF NOS NOT USED	SYMBOL	KUSTOM PART NO.
C22		CR1, CR2	007-6006-00
CR2		Q1	007-0008-00
I1		Q2	007-0009-00
J2		J1	030-2034-00
Q2		J2	030-2035-00
R23		R6	133-0053-00
		R12, R51	133-0035-00
		R13	133-0034-00
		R14	133-0033-00
		I1	007-7015-00

KUSTOM ELECTRONICS, INC.			
CHANDLER, KANSAS 67228			
REV	DATE	TOLERANCES	MATERIAL
1	12/23/73	NONE	NONE
2	1/27/74	NONE	NONE
3	2/27/74	NONE	NONE
SCALE		PART NUMBER	
NONE	1/1	002-5128-00	

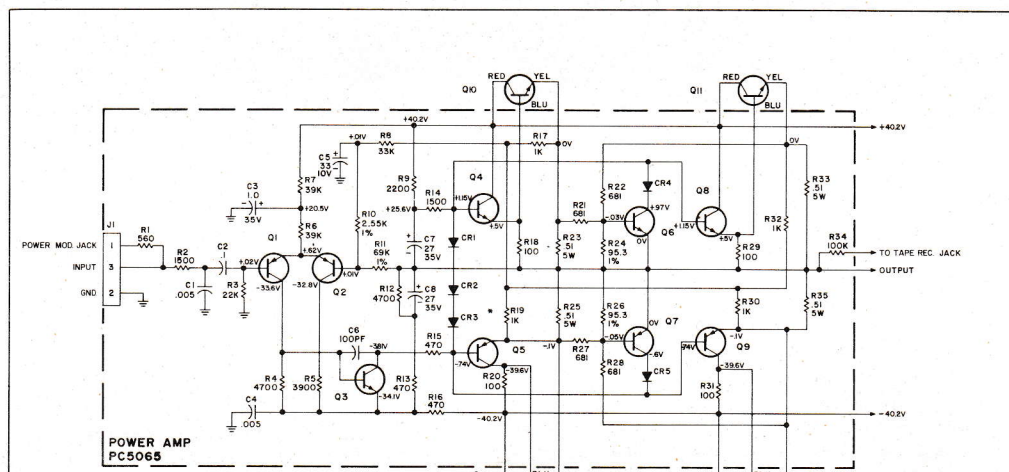


SYMBOL	KUSTOM PART NO.
I1, I2, I3, I4	007-7015-00
I5, I6, I7, I8	007-7023-00
R1, R2, R3, R5	133-0024-15
R4, R59, R71, R84	133-0061-00
R46, R58, R70, R83	133-0062-00
J1	030-2030-00

- NOTES:
 1. ALL RESISTORS ARE 1/8 W, 1% PRECISION UNLESS NOTED.
 2. ALL CAPACITOR VALUES ARE IN MICROFARADS, UNLESS NOTED.

HIGHEST REF NOS	REF NOS NOT USED
R88	R7
C32	R81
I9	

REV	DATE	TOLERANCES	MATERIAL
1	12/23/73	NONE	NONE
2	1/27/74	NONE	NONE
3	2/27/74	NONE	NONE
SCALE		PART NUMBER	
NONE	1/1	002-5144-D1	



- NOTES:
 1. ALL RESISTORS ARE 1/2W, 10%, UNLESS NOTED.
 2. ALL CAPACITOR VALUES ARE IN MICROFARADS, UNLESS NOTED.
 3. DIODE CR3 IS MOUNTED IN A CLIP ON THE CHASSIS.
 4. TRANSISTORS Q10, Q11, Q12, B Q13 ARE MOUNTED IN A BRACKET ON THE CHASSIS.
 5. VOLTAGE MEASUREMENTS ARE WITH POWER ON, NO SIGNAL, NO LOAD AND MEASURED FROM COMMON GROUND.

SYMBOL	KUSTOM PART NO.
CR1 B CR2	007-6011-00
CR3	007-6006-00
CR4 B CR5	007-6016-00
Q1 B Q2	007-0009-00
Q3	007-0002-00
Q4 B Q8	007-0011-00
Q5 B Q9	007-0012-00
Q6	007-0005-00
Q7	007-0006-00
J1	030-2034-00
Q10 THRU Q13	007-0000-00

REV	DATE	TOLERANCES	MATERIAL
1	12/23/73	NONE	NONE
2	1/27/74	NONE	NONE
3	2/27/74	NONE	NONE
SCALE		PART NUMBER	
NONE	1/1	002-5065-00	

REV.	UNIT	DATE