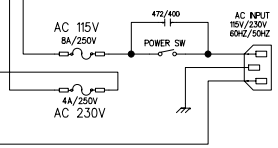


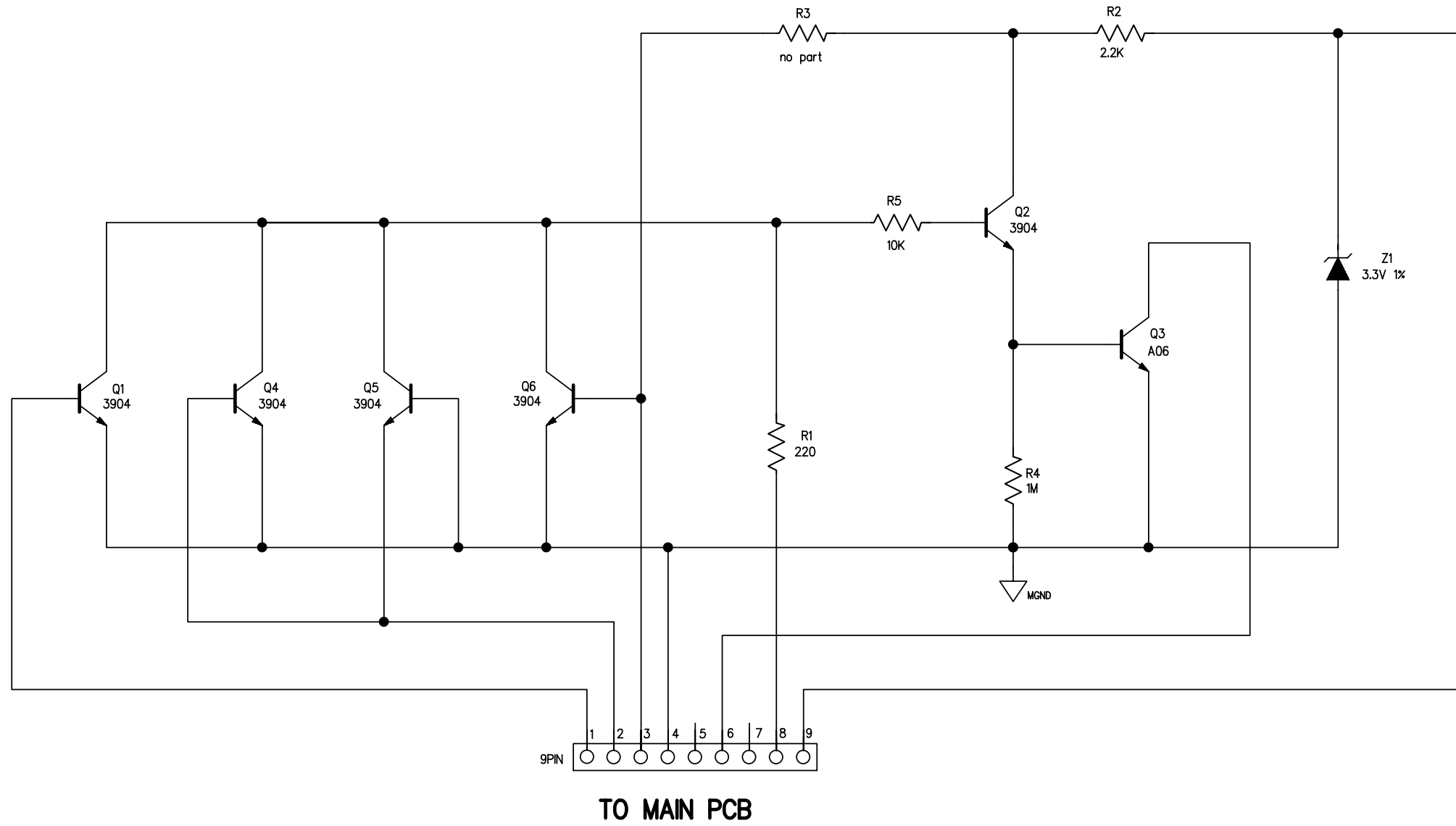
04 06 17
HA3500
Rev 1.35

ha3500 main B'D

NOTE
115V
230V



PROT_MOD PCB



COMPANY:						SAMSON TECHNOLOGIES					
TITLE:						PROTECTION MODULE CIRCUIT					
DRAWN:		DATED:		CHECKED:		DATED:		APPROVED:		DATED:	
Chen X. Y.		04.04.20									
DWG NO.: PT-X-XXXX-XX				SCALE:		SIZE:A3		REV:100		SHEET: 2 OF 2	