

PART	DESCRIPTION	PART #
D1, D2	1N754	21A754-01
D3, D4	1N746	21A146-01
D5-D14	1N914	21A914-01
D15, D16	RED LED	21-117-01
D17, D20	1N4737	21A437-01
D18, D19	1N914	21A914-01
D21, D22	1N754	21A754-01
D23, D24	1N914	21A914-01
D25-D28	1N4002	21A402-01
D29, D38	1N914	21A914-01
D30, D41	RED LED	21-501-01
D31	GREEN LED	21-502-01
D32	YELLOW LED	21-503-01
D34-D37	1N4002	21A402-01
D39, D40	1N5347	21-547-01
D33	1N4007	21A407-01
IC1-IC4	4558	37-458-01
IC5	MN3007	37-307-01
IC6	MN3101	37-301-01
IC7	4558	37-458-01
IC8-IC9	TDA2040	37-240-02
Q1	J112	96-112-01
Q2, Q4	J176	96-176-01
Q3	1N5638	96-538-01
Q5, Q6	MPSA55	96-055-01
Q7	MPSA06	96-006-01
Q8, Q9	J112	96-112-01
Q10	MPSA55	96-055-01
Q11	2N5210	96-510-01
Q12, Q19	MPSA06	96-006-01
Q13	2N5210	96-510-01
Q14, Q15	J112	96-112-01
Q16	2N5087	96-587-01
Q17, Q18	J112	96-112-01
P1, P11	100KRA	70-104-23
P2, P3	250KA W/SW.	70-254-25
P4	50KA	70-503-22
P5	250KA	70-254-22
P6	10KA	70-103-22
P7	250KL	70-306-01
P8	250KA W/SW.	70-254-25
P9	2KA	70-202-22
P10	10KL W/SW.	70-103-27
J1, J2	1/4" CHROME T/S	39-119-01
J3	1/4" CHROME T/R/S	39-120-01
J4	1/4" CLIFF T/R/S	39-117-01
J5	1/4" CLIFF T/S	39-116-01
J6-J8	1/4" SP. NOISE	39-118-01
J9-J16	.187 TAB	17-894-01
J18, J27	.187 TAB	17-894-01
J17, J19, J20	.250 TAB	17-836-01
J22-J26	.250 TAB	17-836-01
J29-J34	.250 TAB	17-836-01
J21, J28	GROUND LUG	17-500-01

**CAUTION:**  
THIS SCHEMATIC IS PROVIDED FOR USE BY QUALIFIED PERSONNEL. TO AVOID RISK OF ELECTRIC SHOCK, REFER SERVICING TO QUALIFIED SERVICE PERSONNEL. DO NOT PERFORM ANY SERVICING BEYOND THAT EXPLAINED IN THE OPERATING INSTRUCTIONS.

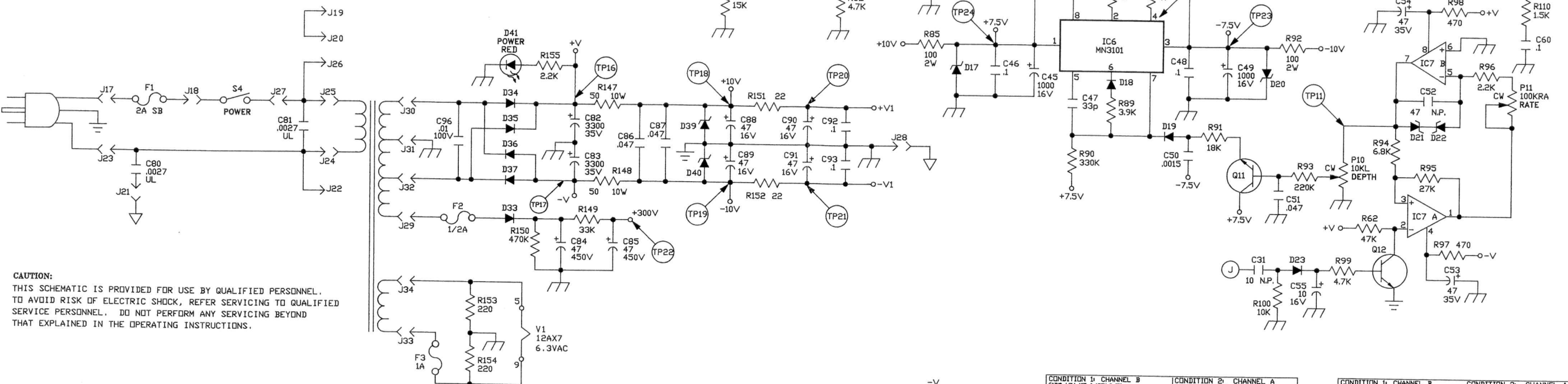
- NOTES**
- 1) CAUTION: SHOCK HAZARD!! THIS UNIT CONTAINS HAZARDOUS VOLTAGE. DISCONNECT POWER AND BE SURE POWER SUPPLY IS DISCHARGED BEFORE TOUCHING INTERNAL PARTS.
  - 2) UNLESS NOTED, RESISTOR VALUES IN OHMS, 1/4W-5% TOL. CAPACITOR VALUES IN MICROFARADS, 50V-10% TOL.
  - 3) VOLTAGES ARE MEASURED WITH 1 MEGOHM OSCILLOSCOPE AND 10 MEGOHM DIGITAL VOLTMETER.
  - 4) CIRCUIT GROUND  $\text{⏏}$  CHASSIS GROUND  $\text{⏏}$  DIRTY GROUND  $\text{⏏}$

A	MGA 6-18-90	2C 6-18-90	TEB 6-18-90
ORIG.	MGA 2-2-90		
VERS.	DRAWN BY	CHECKED BY	APPROVED BY
PAGE #	1 OF 2	DRAWING #	16-054-01
DESCRIPTION: AX-44C SCHEMATIC			

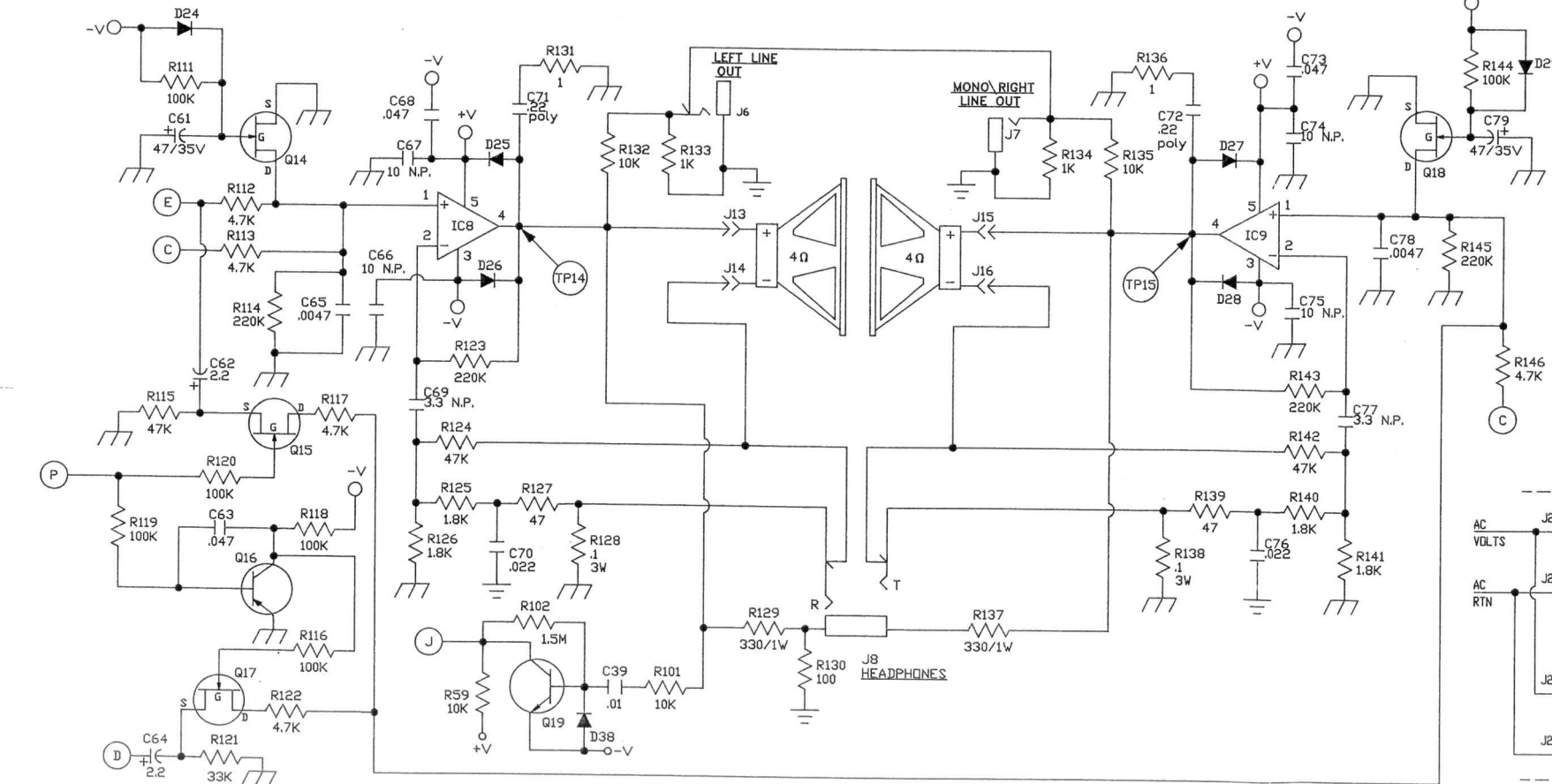
**SLM ELECTRONICS.**  
11880 BORMAN DR.  
ST. LOUIS, MO 63146

**NOTES**

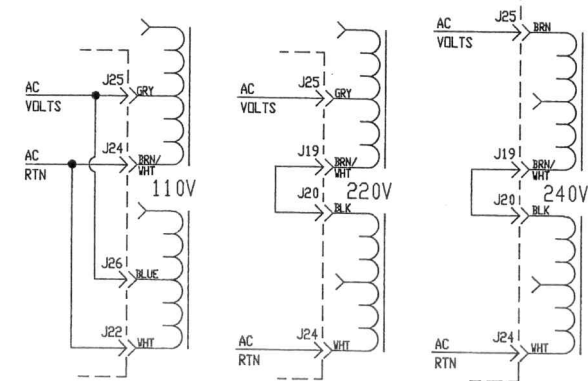
- 1) CAUTION: SHOCK HAZARD!! THIS UNIT CONTAINS HAZARDOUS VOLTAGE. DISCONNECT POWER AND BE SURE POWER SUPPLY IS DISCHARGED BEFORE TOUCHING INTERNAL PARTS.
- 2) UNLESS NOTED, RESISTOR VALUES IN OHMS, 1/4W-5% TOL. CAPACITOR VALUES IN MICROFARADS, 50V-10% TOL.
- 3) VOLTAGES ARE MEASURED WITH 1 MEGOHM OSCILLOSCOPE AND 10 MEGOHM DIGITAL VOLTMETER.
- 4) CIRCUIT GROUND  $\nabla$  CHASSIS GROUND  $\nabla$  DIRTY GROUND  $\nabla$



**CAUTION:**  
THIS SCHEMATIC IS PROVIDED FOR USE BY QUALIFIED PERSONNEL. TO AVOID RISK OF ELECTRIC SHOCK, REFER SERVICING TO QUALIFIED SERVICE PERSONNEL. DO NOT PERFORM ANY SERVICING BEYOND THAT EXPLAINED IN THE OPERATING INSTRUCTIONS.



CONDITION 1: CHANNEL B		CONDITION 2: CHANNEL A		CONDITION 1: CHANNEL B		CONDITION 2: CHANNEL A	
GAIN, LOW, MED & HIGH @ 10'		GAIN, LOW, MED & HIGH @ 10'		GAIN, LOW, MED & HIGH @ 10'		GAIN, LOW, MED & HIGH @ 10'	
LEVELS, REV. & ULTRA-MED @ 10'		LEVELS, REV. & ULTRA-MED @ 10'		LEVELS, REV. & ULTRA-MED @ 10'		LEVELS, REV. & ULTRA-MED @ 10'	
DEPTH, RATE & W/ CHASSIS, RIGHT OFF		DEPTH, RATE & W/ CHASSIS, RIGHT OFF		DEPTH, RATE & W/ CHASSIS, RIGHT OFF		DEPTH, RATE & W/ CHASSIS, RIGHT OFF	
10Hz Sine-w/p INPUT SIGNAL		10Hz Sine-w/p INPUT SIGNAL		10Hz Sine-w/p INPUT SIGNAL		10Hz Sine-w/p INPUT SIGNAL	
T.P.	WAVE	VOLTAGES	WAVE	VOLTAGES	T.P.	WAVE	VOLTAGES
1	~	700mVp-p	~	25mVp-p	16	—	+14.5VDC
2	~	500mVp-p 100mVDC	~	1Vp-p 100mVDC	17	—	-14.5VDC
3	~	1.5Vp-p	~	38Vp-p 1VDC	18	—	+10.5VDC
4	~	2.7Vp-p	~	20Vp-p	19	—	-10.5VDC
5	~	1.2Vp-p	~	6Vp-p	20	—	+10.5VDC
6	~	2Vp-p 1.5VDC	—	1.5VDC	21	—	-10.5VDC
7	—	—	~	3.2Vp-p	22	—	+240VDC
8	~	12Vp-p	~	35Vp-p (W/REV @ 10)	23	—	-7.5VDC
9	~	400mVp-p *	~	500mVp-p *	24	—	+7.5VDC
10	~	2.2Vp-p	~	850mVp-p	*VARIES WITH FREQUENCY		
11	~	6Vp-p	~	9.6 Hz w/RATE @ '10'			
12	~	15Vp-p	~	240 KHz w/DEPTH @ '10'			
13	~	1.8Vp-p	~	3.7Vp-p			
14	~	23Vp-p	~	27Vp-p 80mVDC			
15	~	23Vp-p	~	27Vp-p 40mVDC			



A	MGA 6-18-90	RC	6-18-90	RC	6-18-90
ORIG.	MGA 2-2-90				
VERS.	DRAWN BY	CHECKED BY	APPROVED BY		
PAGE #	2 OF 2	DRAWING #	16-054-01		
DESCRIPTION: AX-44C SCHEMATIC					
<b>SLM ELECTRONICS.</b> 11880 BORMAN DR. ST. LOUIS, MO 63146					