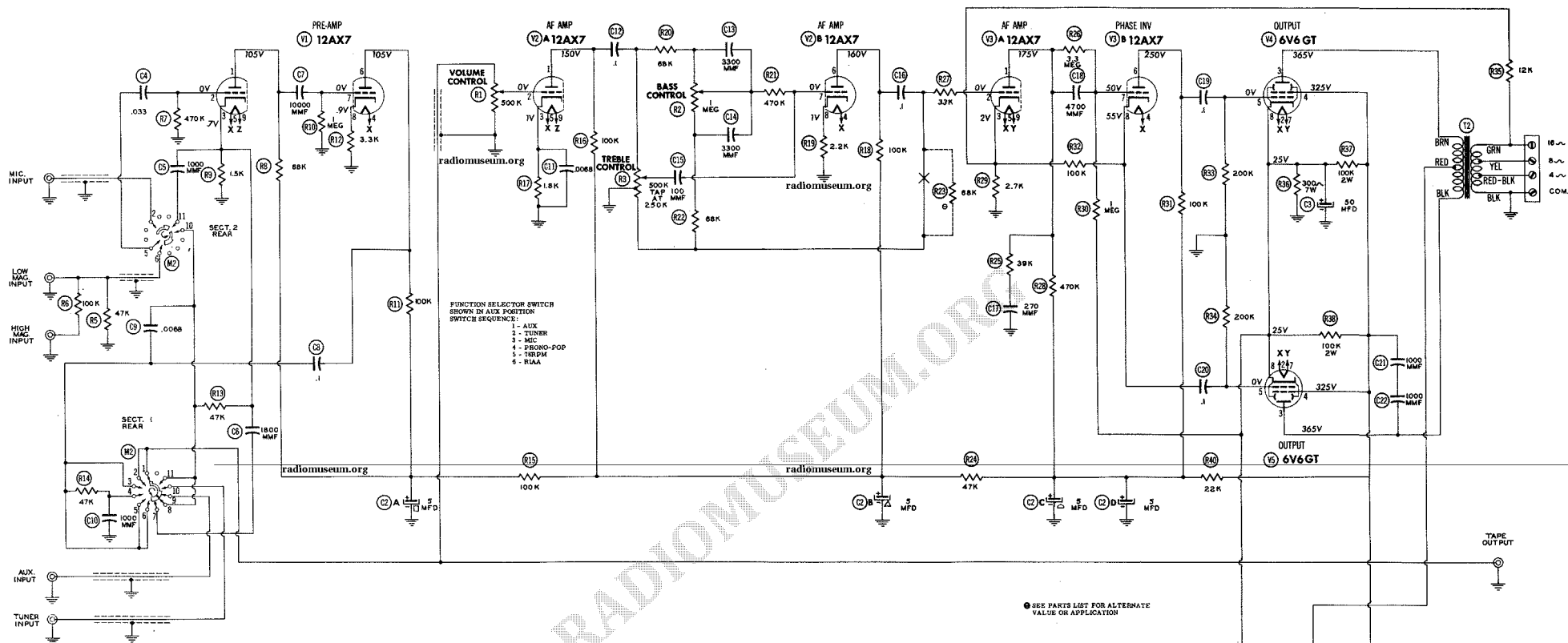


mike6001@yahoo.com



RESISTANCE READINGS

Item	Tube	Pin 1	Pin 2	Pin 3	Pin 4	Pin 5	Pin 6	Pin 7	Pin 8	Pin 9
V 1	12AX7	†237KΩ	470KΩ	1.5KΩ	325Ω	325Ω	†269KΩ	1Meg	3.3KΩ	325Ω
V 2	12AX7	†169KΩ	15Ω	1.8KΩ	325Ω	325Ω	†169KΩ	788KΩ	2.2KΩ	325Ω
V 3	12AX7	†492KΩ	300KΩ	2.7KΩ	325Ω	325Ω	†122KΩ	†800KΩ	102KΩ	325Ω
V 4	6V6GT	TP	325Ω	†350Ω	†5.6KΩ	200KΩ	TP	325Ω	300Ω	
V 5	6V6GT	TP	325Ω	†350Ω	†5.6KΩ	200KΩ	TP	325Ω	300Ω	
V 6	5Y3GT	NC	50KΩ	NC	150Ω	NC	150Ω	NC	50KΩ	

† MEASURED FROM PIN 6 OF V6.
 ‡ 6.3VAC MEASURED ACROSS FILAMENT
 TP - TIE POINT
 NC - NO CONNECTION

- DC voltage measurements taken with vacuum tube voltmeter; AC voltages measured at 1000 ohms per volt.
- Socket connections are shown as bottom views.
- Measured values are from socket pin to common negative.
- Line voltage maintained at 117 volts for voltage readings.
- Nominal tolerance on component values makes possible a variation of ± 15% in voltage and resistance readings.
- All controls at minimum, proper output load connected.

A PHOTOFAC STANDARD NOTATION SCHEMATIC
 © Howard W. Sans & Co., Inc. 1955

