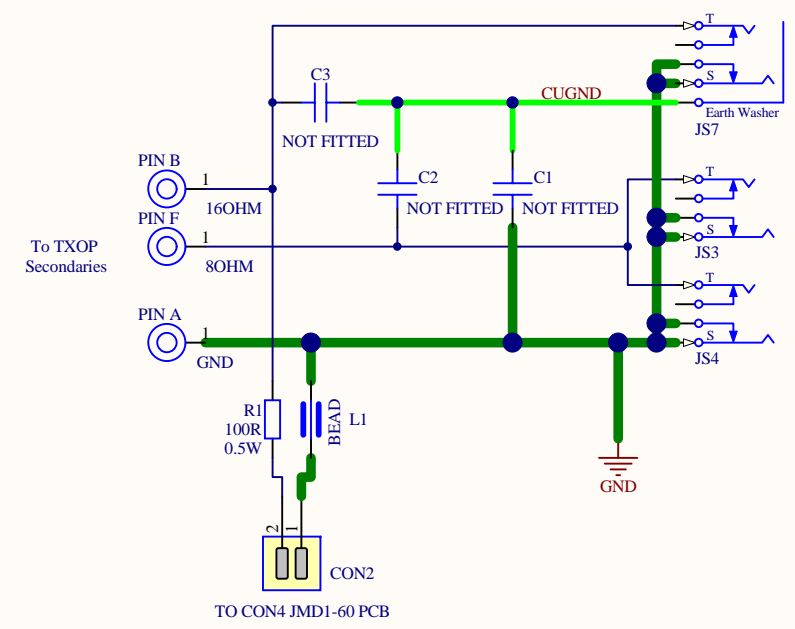


JMD1-64-02



1	RELEASE	24-07-09
B1	MODS	12-03-09
B	EMC MODS	28-10-08
A	FIRST PROTOTYPE	18-04-08
ISS	ECO NUMBER	DATE

MATERIAL		DIMENSIONS IN mm	
MATERIAL THICKNESS		TOLERANCE (UNLESS OTHERWISE STATED)	
DRAWN S.B.	DATE 07-03-08	HOLE DIA = +/- DIMENSIONAL = +/-	
CHECKED S.R.D.	DATE ?	MODEL	
APPROVED ?	DATE ?	JMD1	



© MARSHALL AMPLIFICATION PLC
DENBIGH ROAD, BLETCHLEY, MILTON KEYNES, MK1 1DQ.
TEL (01908) 375411 FAX (01908) 376118

File: J:\JMD37\SPKR_1\JMD1-64-02-1.SchDoc

TITLE		
OUTPUT PCB		
DWG. No.	ISS	Sheet
JMD1-64-02	1	1 of 1
Date: 27/07/2009		