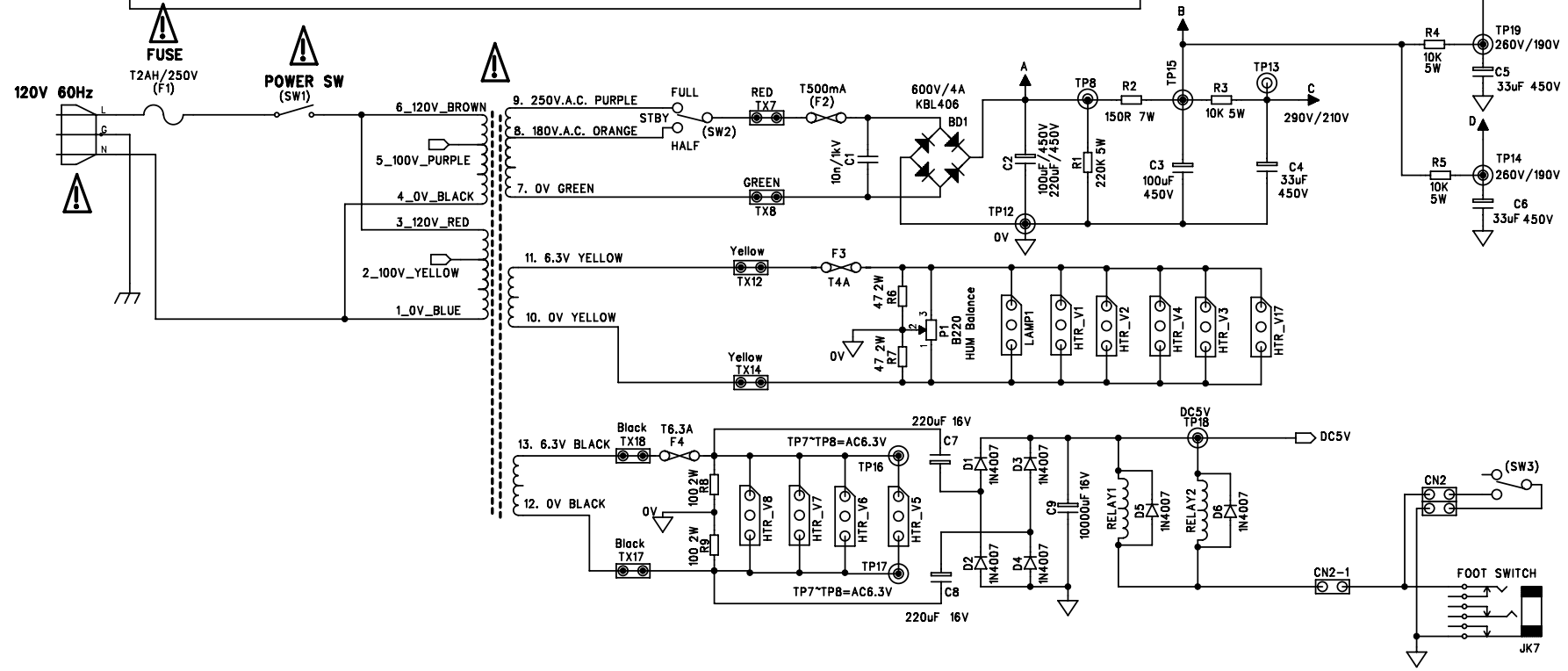
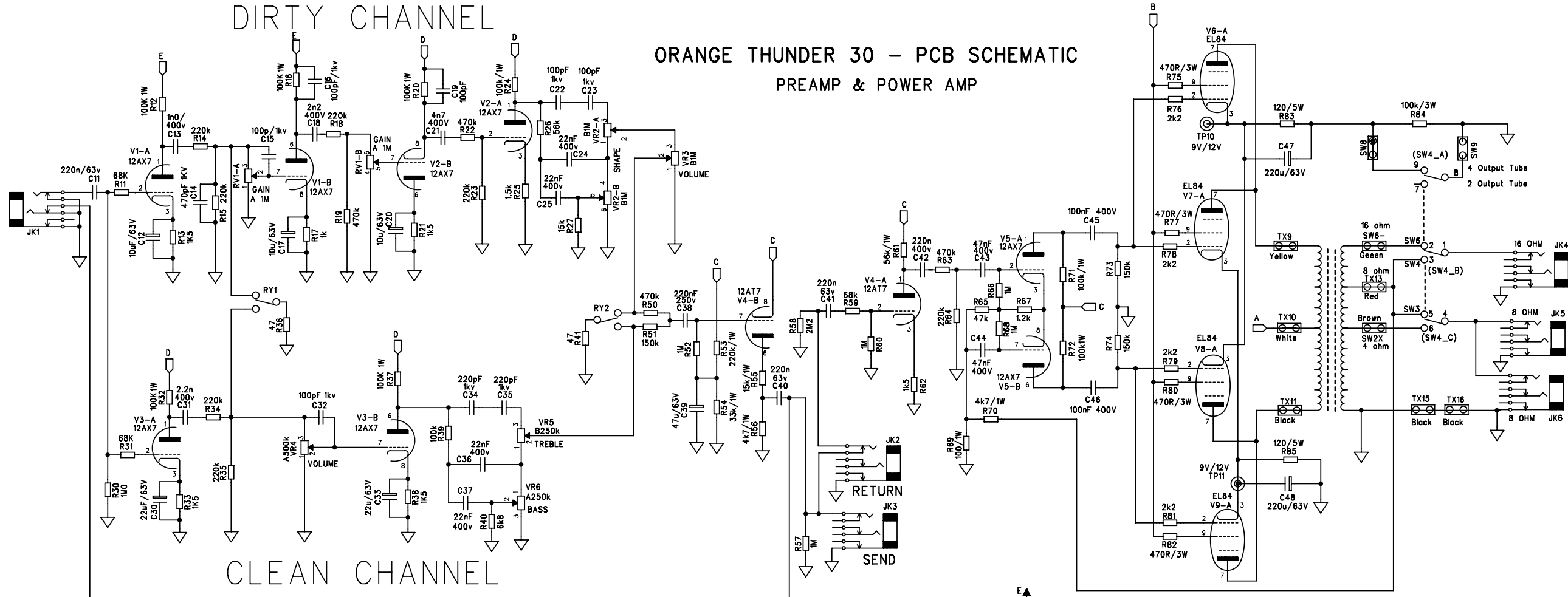


DIRTY CHANNEL

ORANGE THUNDER 30 - PCB SCHEMATIC
PREAMP & POWER AMP

CLEAN CHANNEL



COMPONENTS USED ARE OF AN APPROVED TYPE AND MUST BE REPLACED ACCORDINGLY

TITLE	PREAMP & POWER AMP PCB	ORANGE Musical Electronic Co Ltd
PROJECT	ORANGE TINY TERROR	Glenhaven Avenue
DRAWING No	ORA-CD211	Borehamwood WD6 1AY
ISSUE		Great Britain
DATE	12 June 2008	Tel: +44 (0) 20 8905 2828
SCHEMATIC/PCB DRAWN BY	Paul Stevens	Fax: +44 (0) 20 8905 2868
ORIGINAL CIRCUIT DESIGN BY	Adrian Emsley	info@orangamps.com



TH 30

