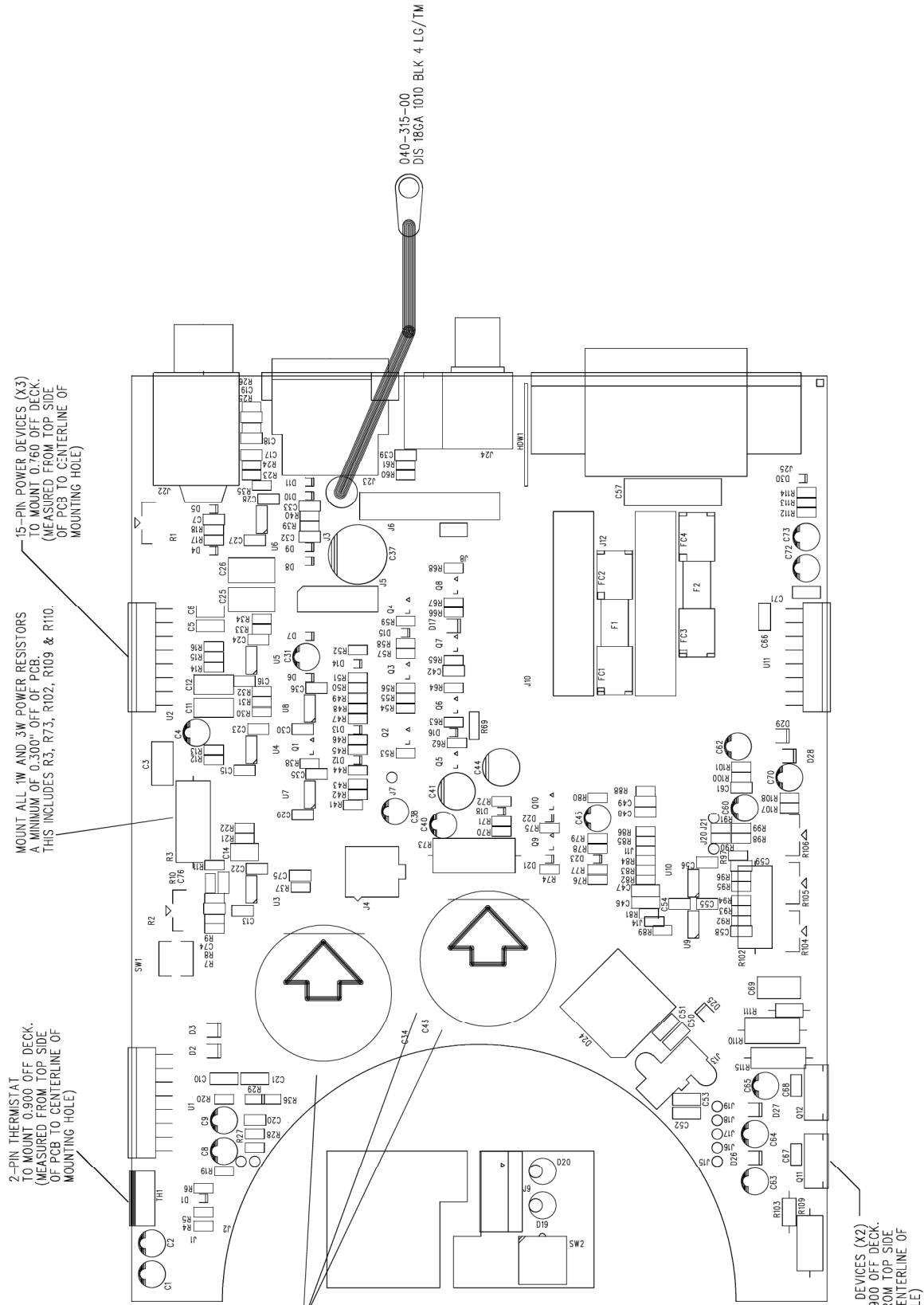


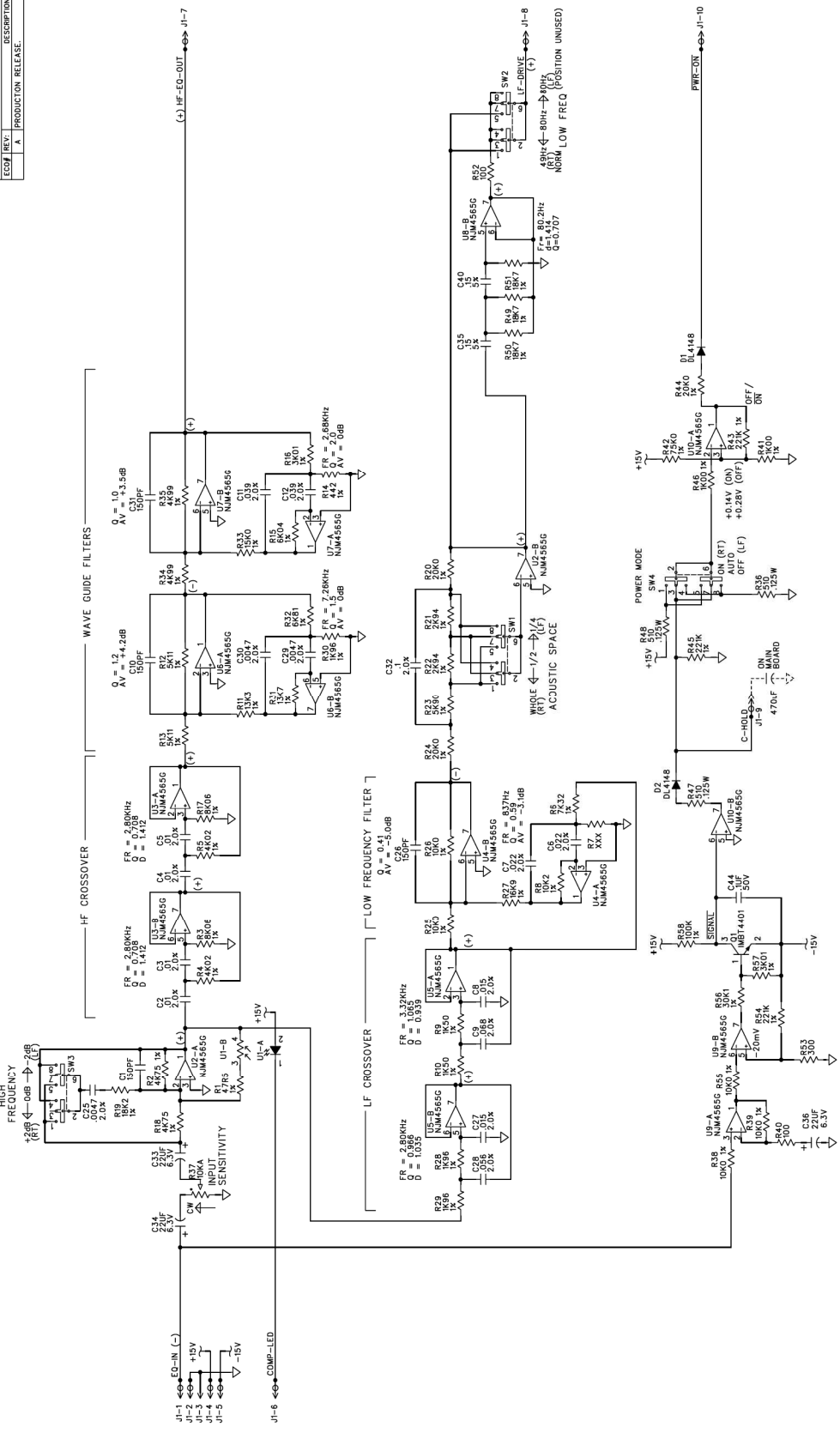
MACKIE
Mackie Designs Inc., Woodinville, Wa.

SCHEMATIC, HR624-THX
MAIN BOARD

SIZE SCALE: DWG. NO. 990-304-01
REV. C00
D NONE
DWG FILE: SHEET 2 OF 2



8 7 6 5 4 3 1



- 200F 16V50µ PVC .312 X .18
- 206F 10B-00 .312 X .18
- 210F 50V SWAGE NO.4 X .380L F
- 206F-033-11 .312 X .18
- 210F SWAGE NO.4 X .380L F
- 206F-033-11 .312 X .18
- 210F SWAGE NO.4 X .380L F
- 206F-033-11 .312 X .18
- 210F SWAGE NO.4 X .380L F
- PCB HR624 THX SWITCH

NOTE: J1 CONNECTS TO MAIN BOARD.

APPROVALS	DATE
DRAWN: Com. Jones	3-14-01
CHECKED:	
MP ENG:	
MATERIAL:	
WF:	
WF ENG:	
SIZE SCALE:	D NONE
DWG. NO.	055-370-00
ISSUED:	SHEET 1 OF 1

©2000 MACKIE DESIGNS INC.
 ALL RIGHTS RESERVED
 THE INFORMATION CONTAINED HEREIN
 IS PROPRIETARY AND CONFIDENTIAL
 PROPERTY OF MACKIE DESIGNS INC.

MACKIE
 Mackie Designs Inc. Woodville, Wv.

SCHEMATIC: HR624-THX
 SWITCH BOARD

