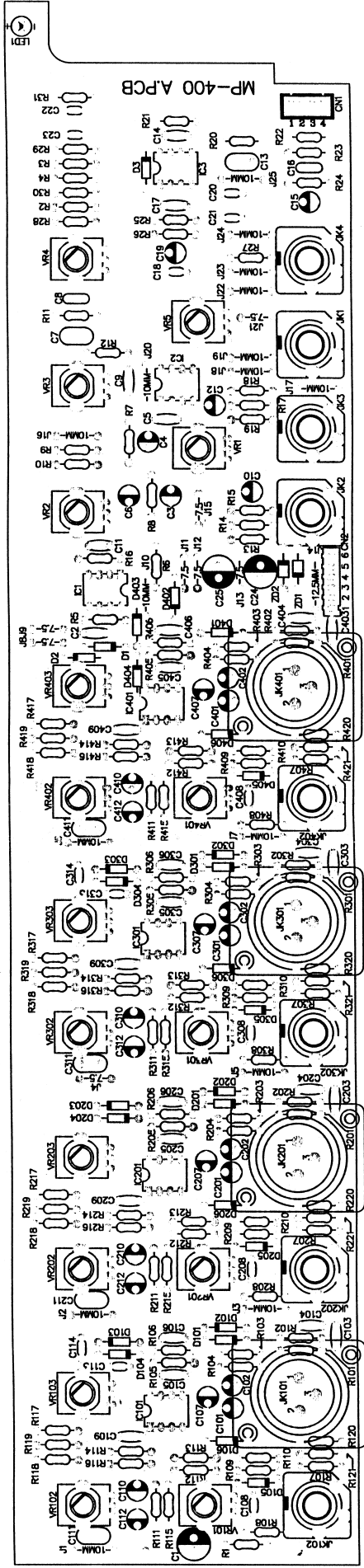


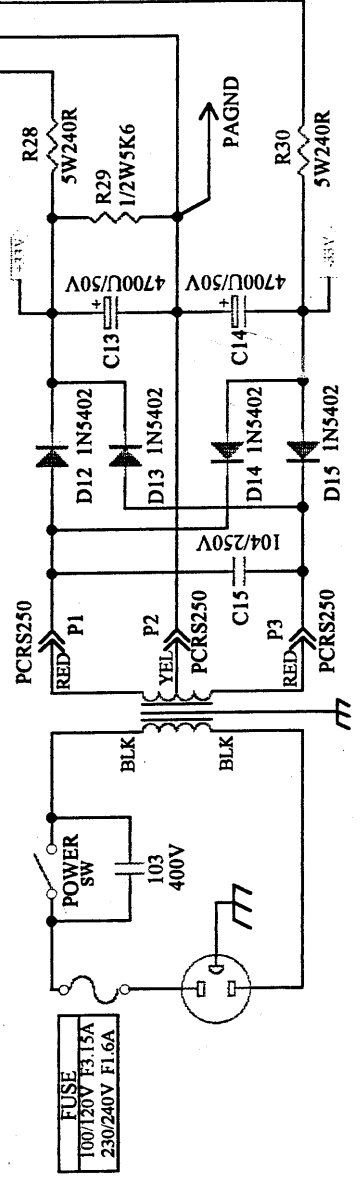
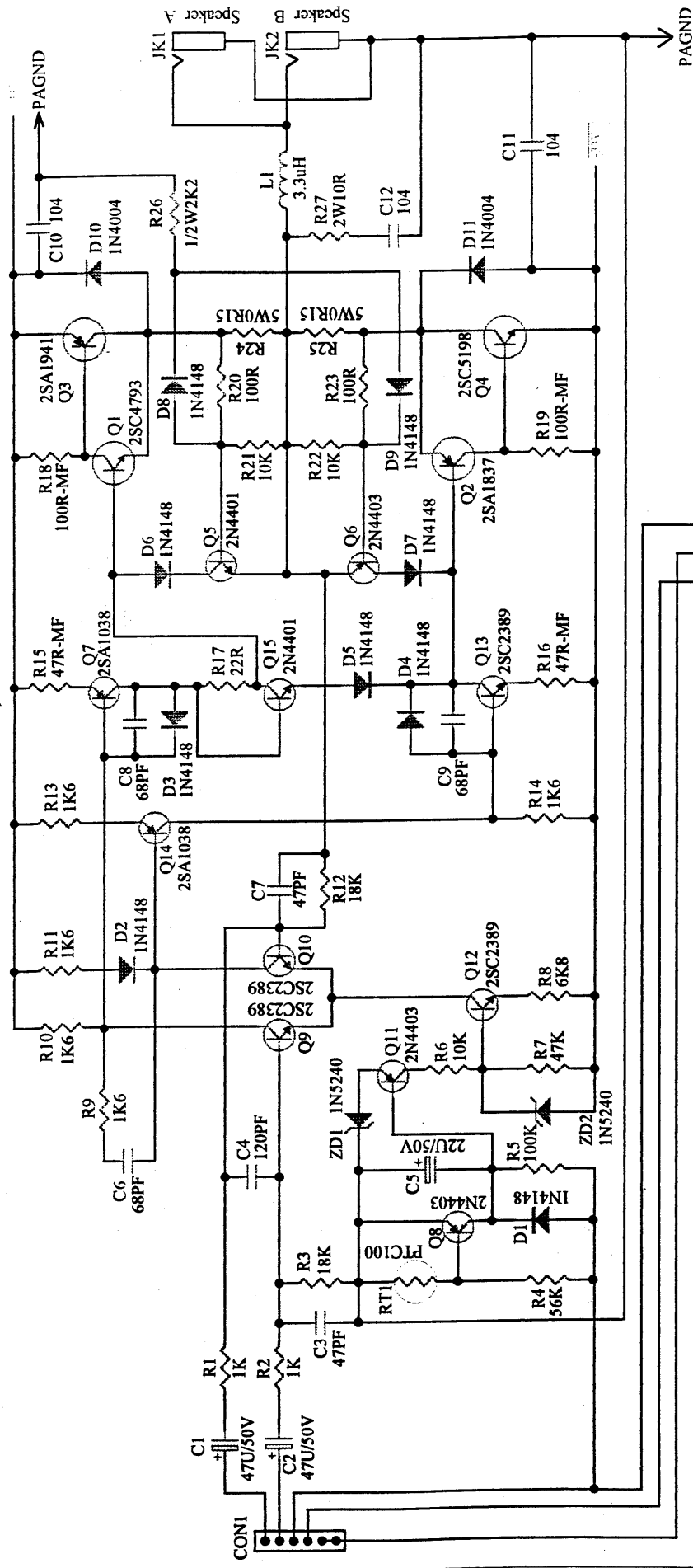
Notes: IC1,2,3,101,201,301,401: N7445600

MP-400



MP-400 A PCB





MP-400

MP-400B

