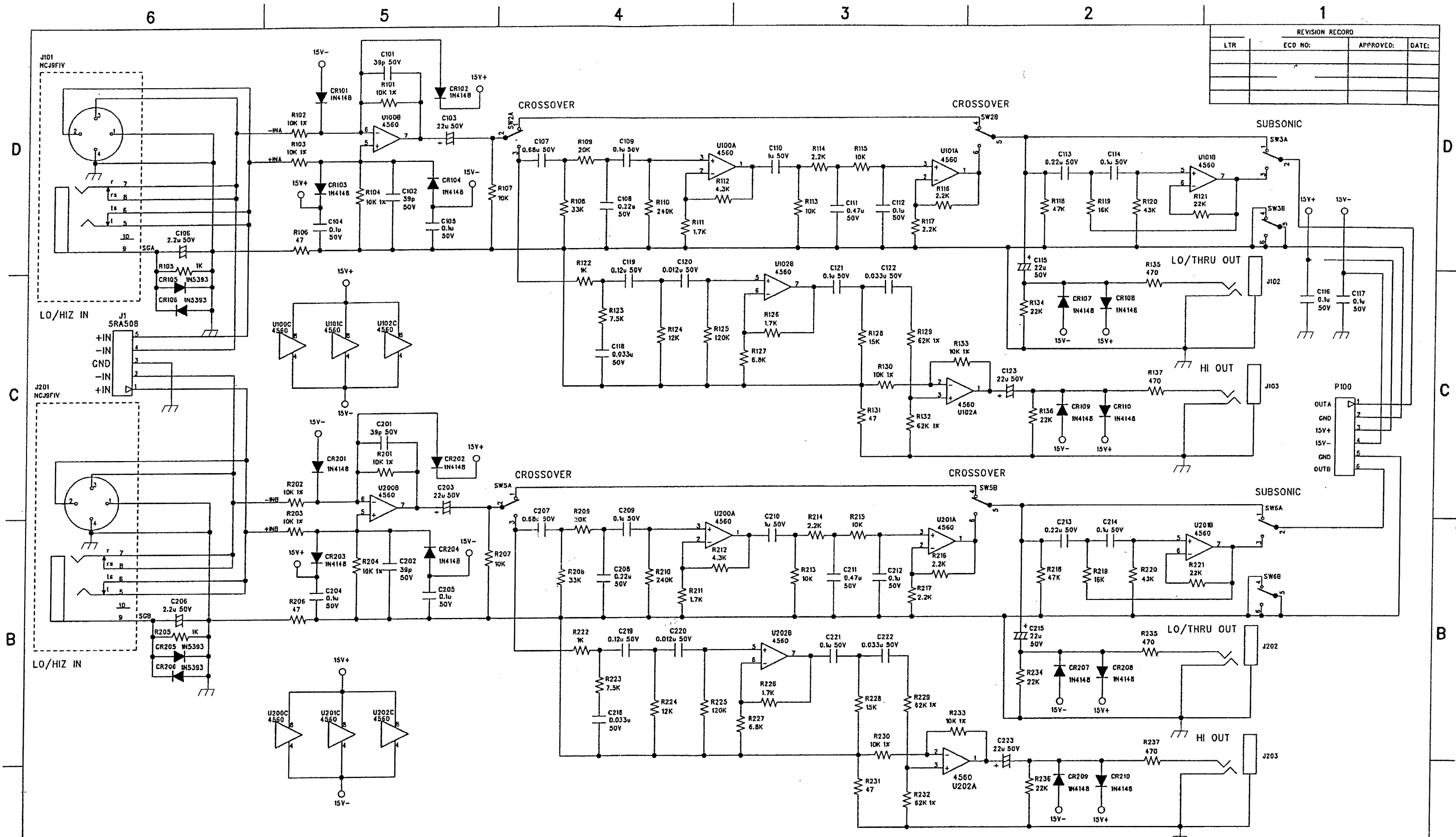
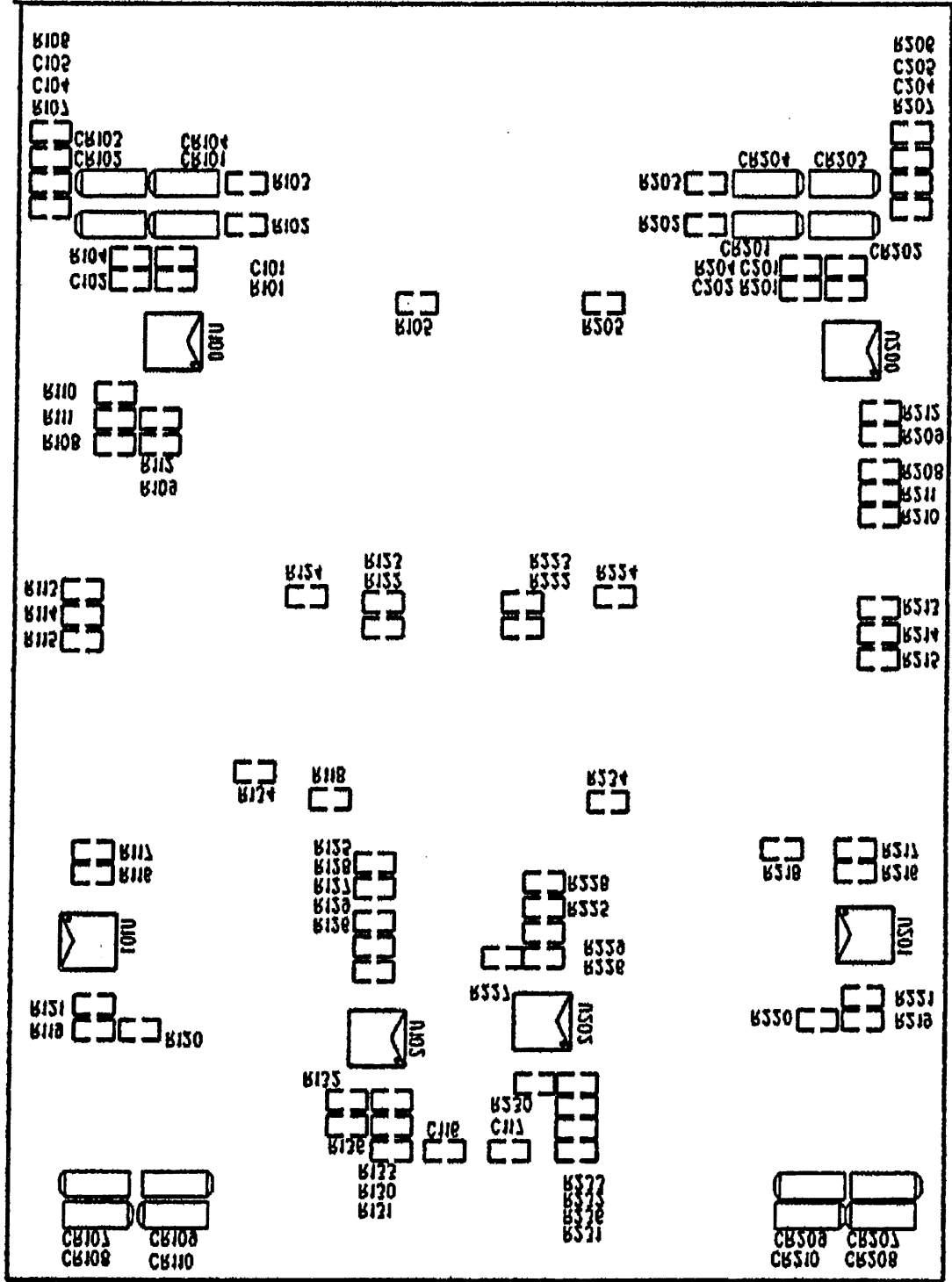


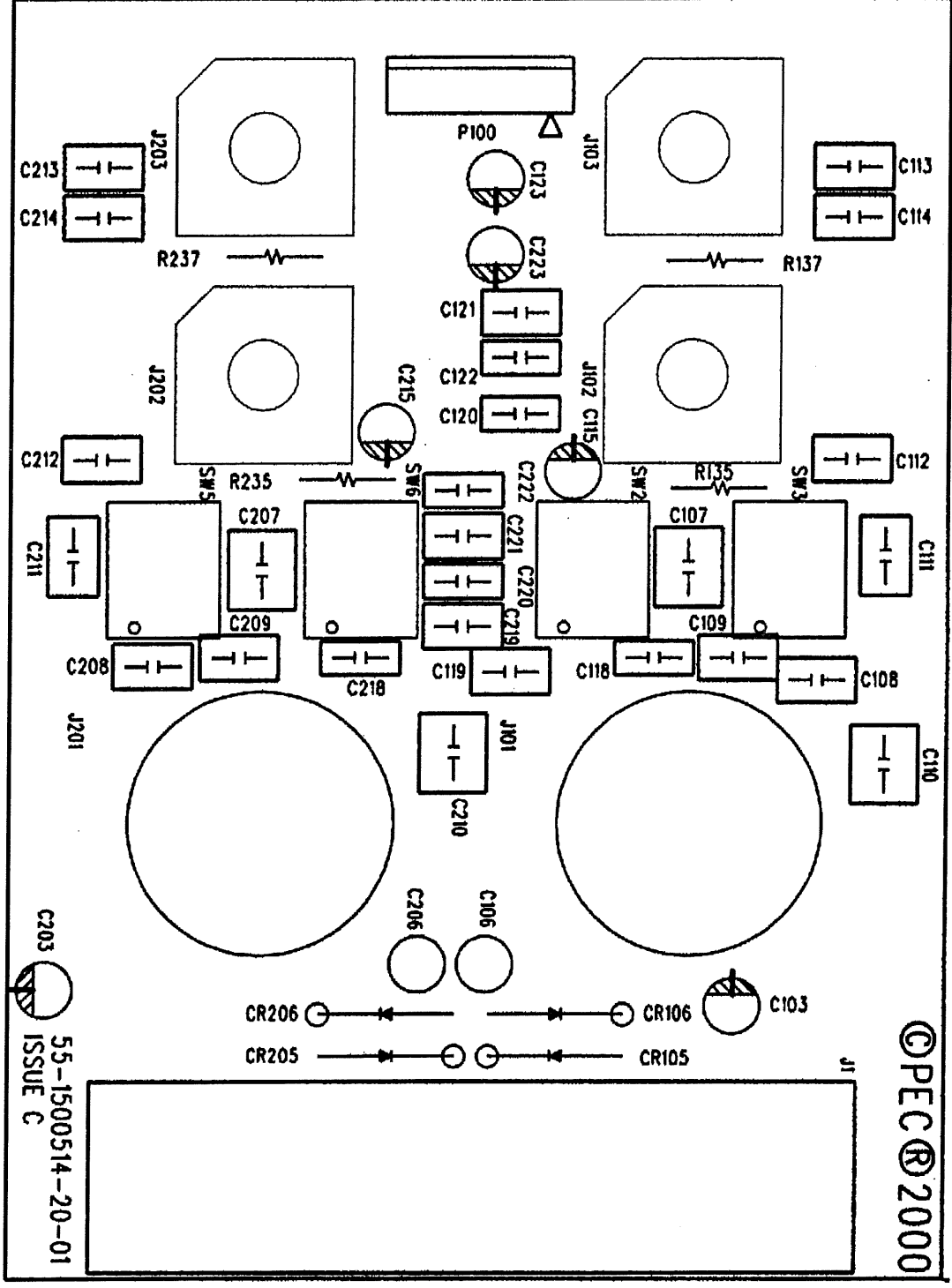
REVISION RECORD			
LTR	ECO NO:	APPROVED:	DATE:



COMPANY: Peavey Electronics Corp.			
TITLE: PV Series Crossover			
DRAWN:	DATED:	CODE:	SIZE:
CHECKED:	DATED:	PV-900	DRAWING NO:
QUALITY CONTROL:	DATED:	PV-1500	REV: A
RELEASED:	DATED:	PV-2600	SCALE:
			SHEET: 1 OF 4



21G2C2KJ2 (2012 93QJ2) M39R2KJ2

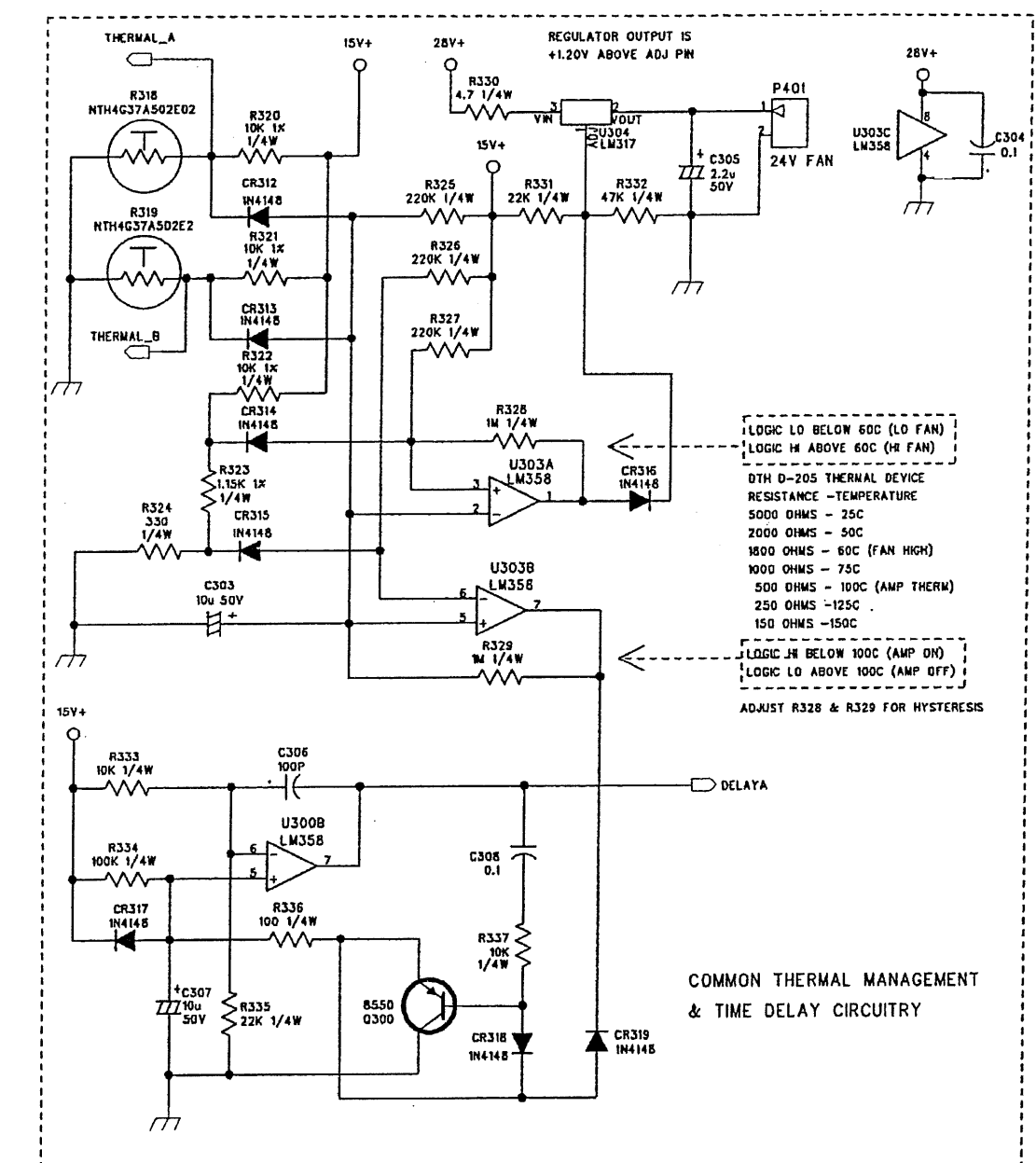
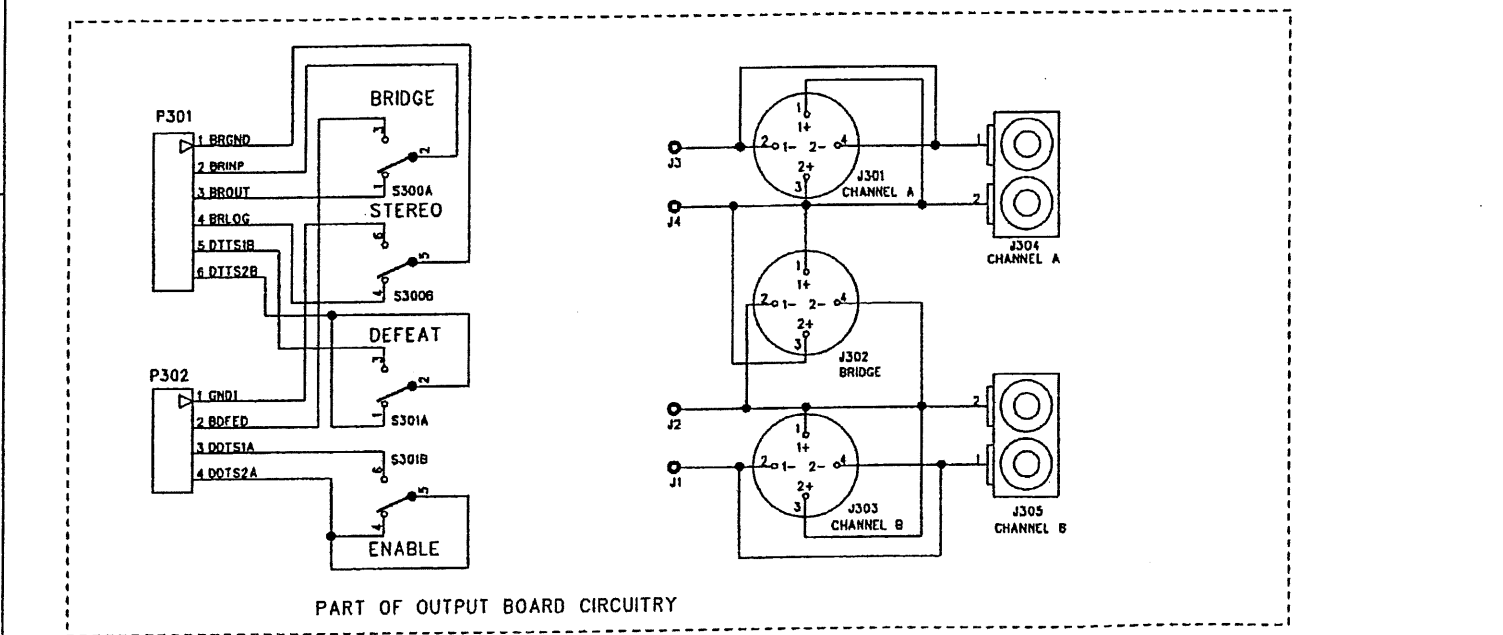
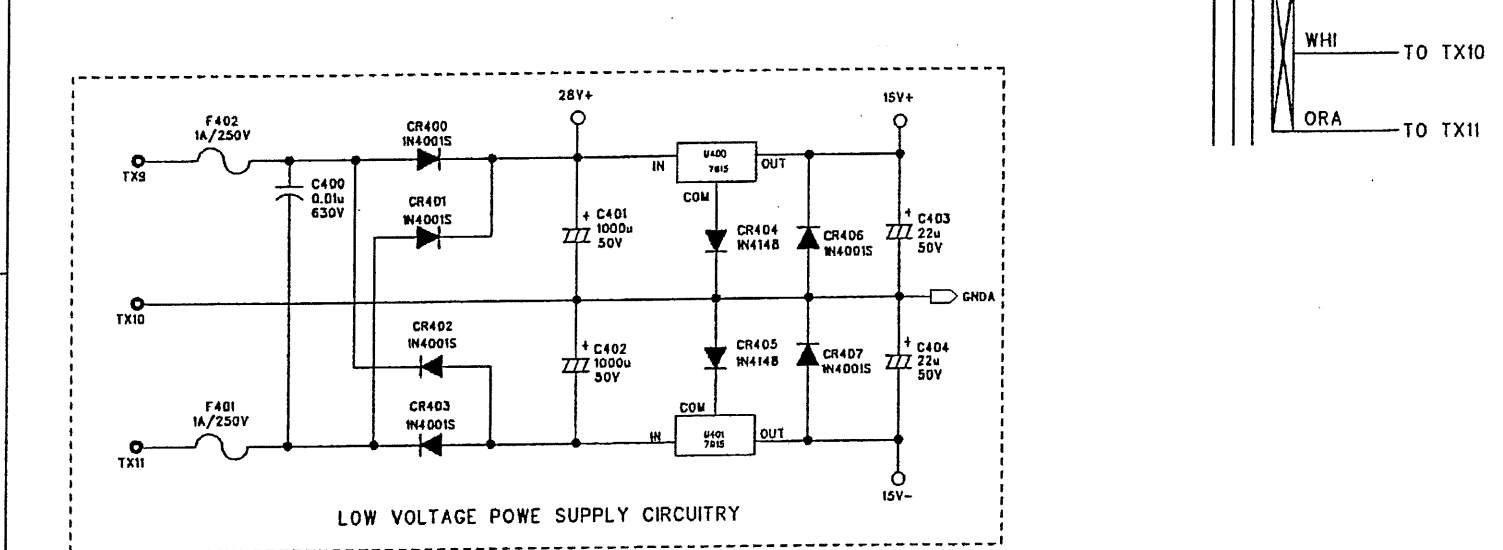
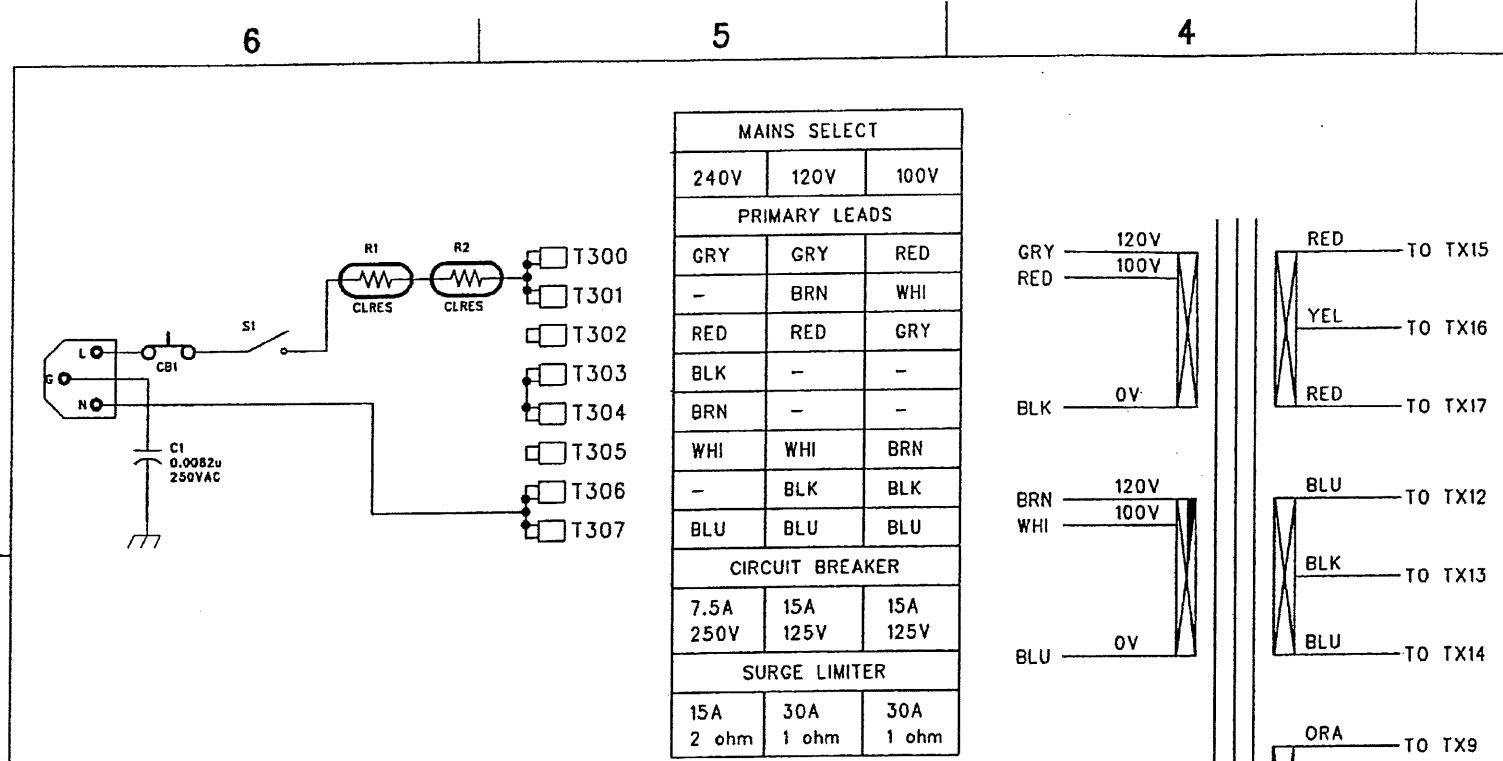


SILKSCREEN (COMPONENT SIDE)

55-1500514-20-01
ISSUE C

©PEC®2000

REVISION RECORD			
LTR	ECO NO.	APPROVED:	DATE:



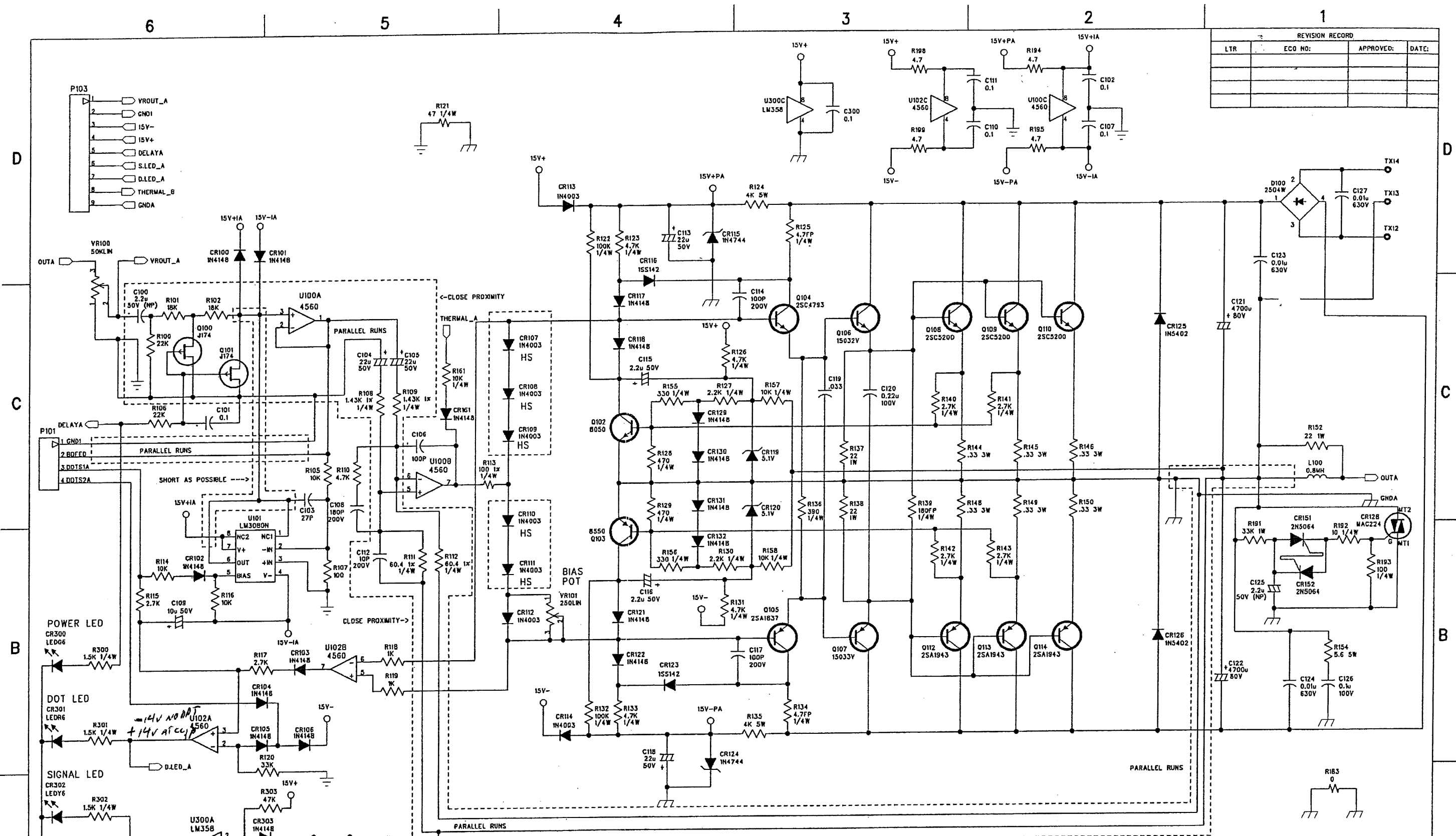
COMPANY: Peavey Electronics Corp.

TITLE: POWER AMP (OUTPUT, POWER SUPPLY, COMMON THERMAL MANAGEMENT & TIME DELAY CIRCUITRY)

DRAWN:	DATED:	CODE:	SIZE:	DRAWING NO.:	REV:
CHECKED:	DATED:				A
QUALITY CONTROL:	DATED:				
RELEASED:	DATED:				

SCALE: SHEET: 4 OF 4

REVISION RECORD			
LTR	ECO NO:	APPROVED:	DATE:



D
C
B
A

D
C
B
A

COMPANY: Peavey Electronics Corp.			
TITLE: PV900 Channel A			
DRAWN:	DATE:	CODE:	REV:
CHECKED:	DATE:	PV-900	A
QUALITY CONTROL:	DATE:	DRAWING NO:	SHEET: 2 OF 4
RELEASED:	DATE:	SCALE:	

6

5

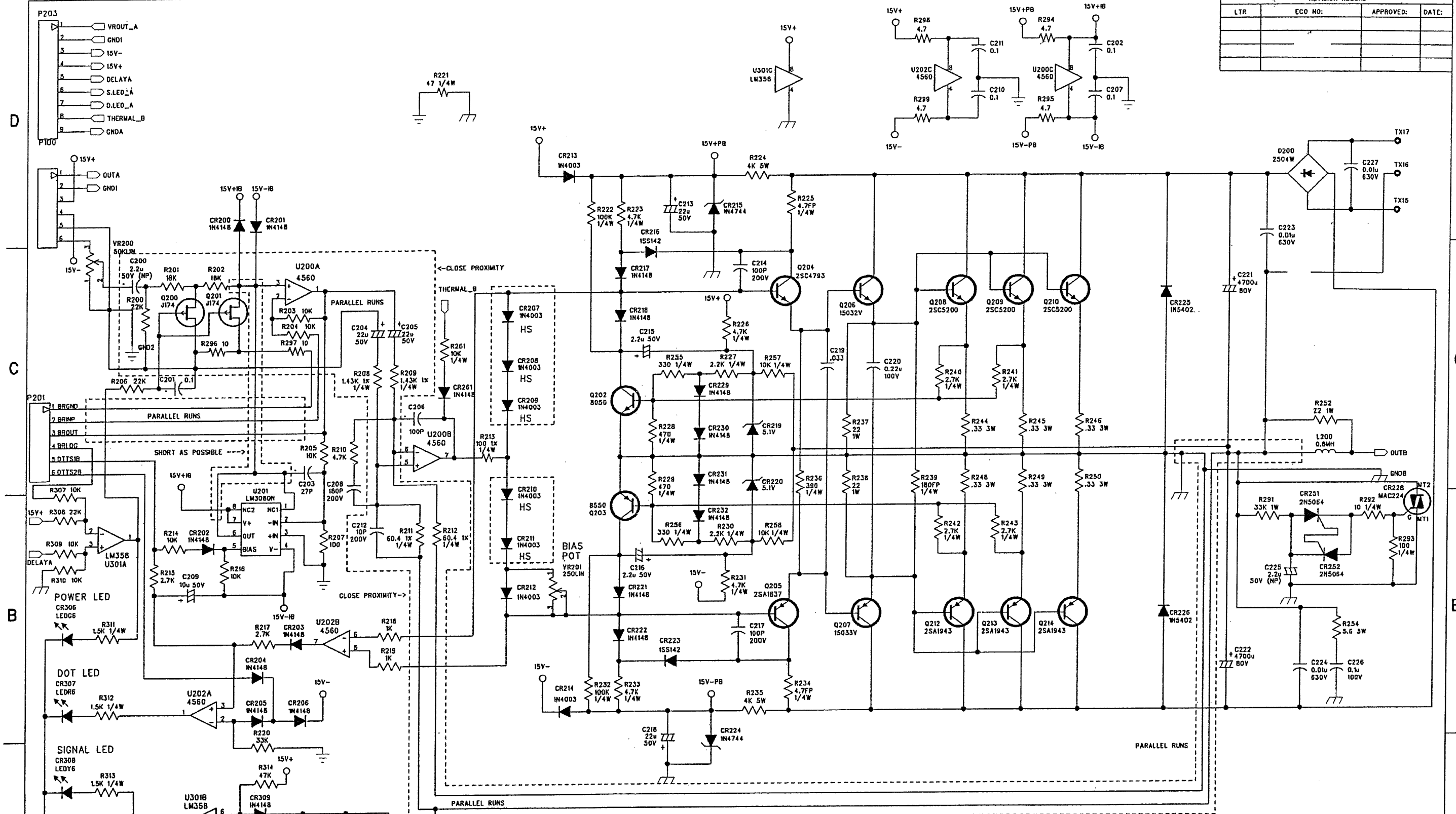
4

3

2

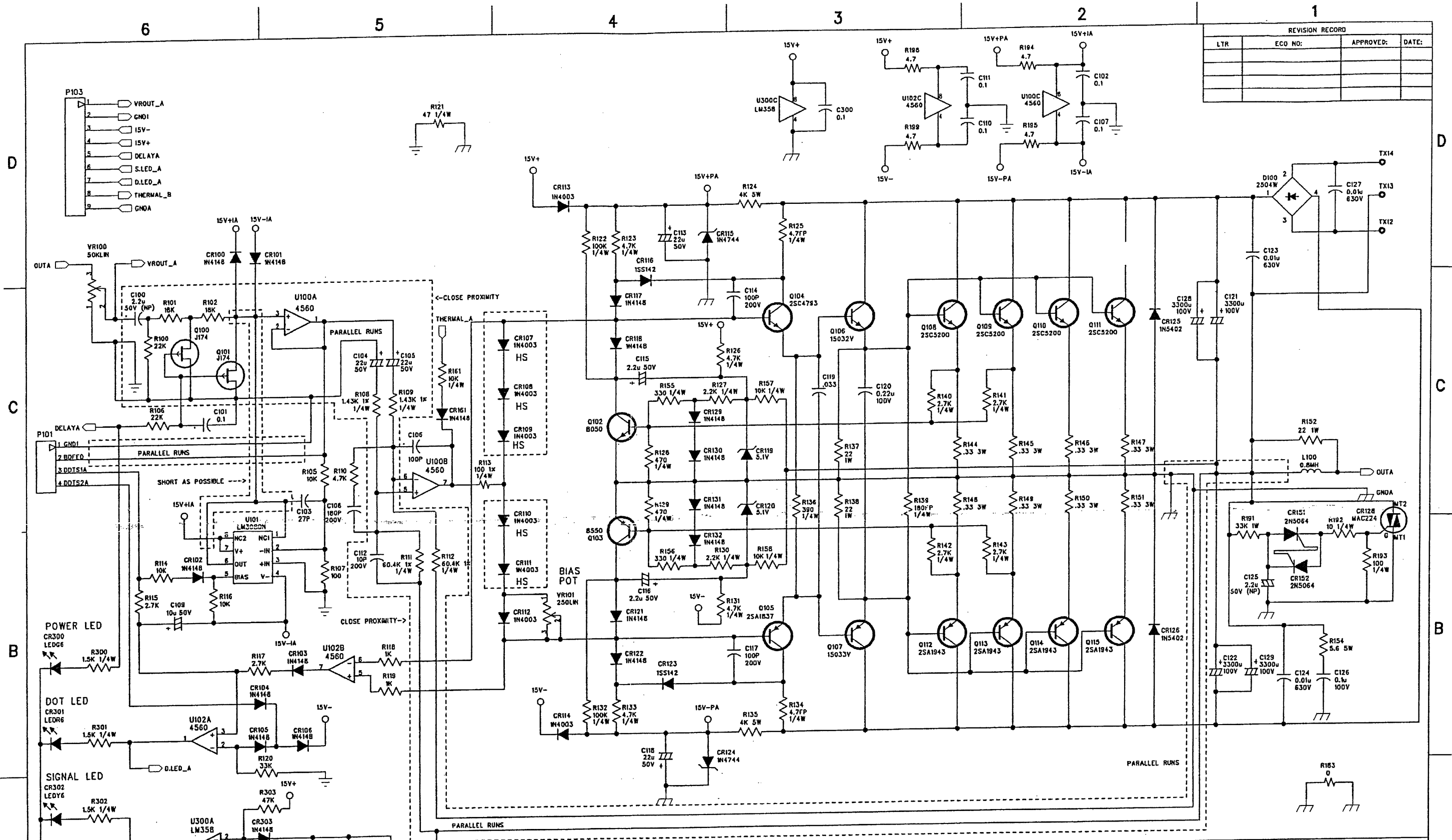
1

REVISION RECORD			
LTR	ECO NO:	APPROVED:	DATE:



COMPANY: Peavey Electronics Corp.			
TITLE: PV900 Channel B			
DRAWN:	DATED:	CODE:	SIZE:
CHECKED:	DATED:	DRAWING NO:	REV:
QUALITY CONTROL:	DATED:	PV-900	A
RELEASED:	DATED:	SCALE:	SHEET: 3 OF 4

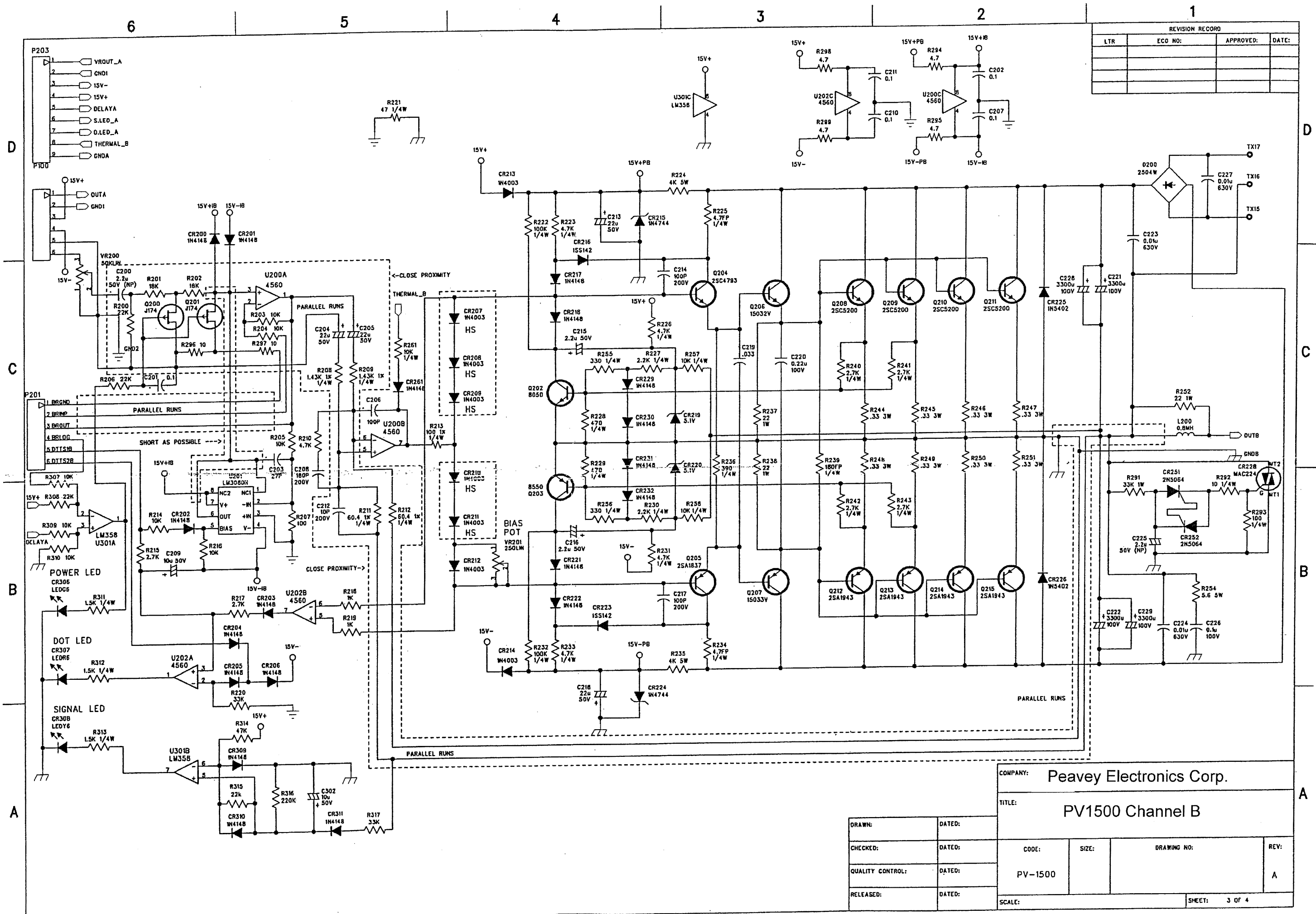
REVISION RECORD			
LTR	ECO NO:	APPROVED:	DATE:



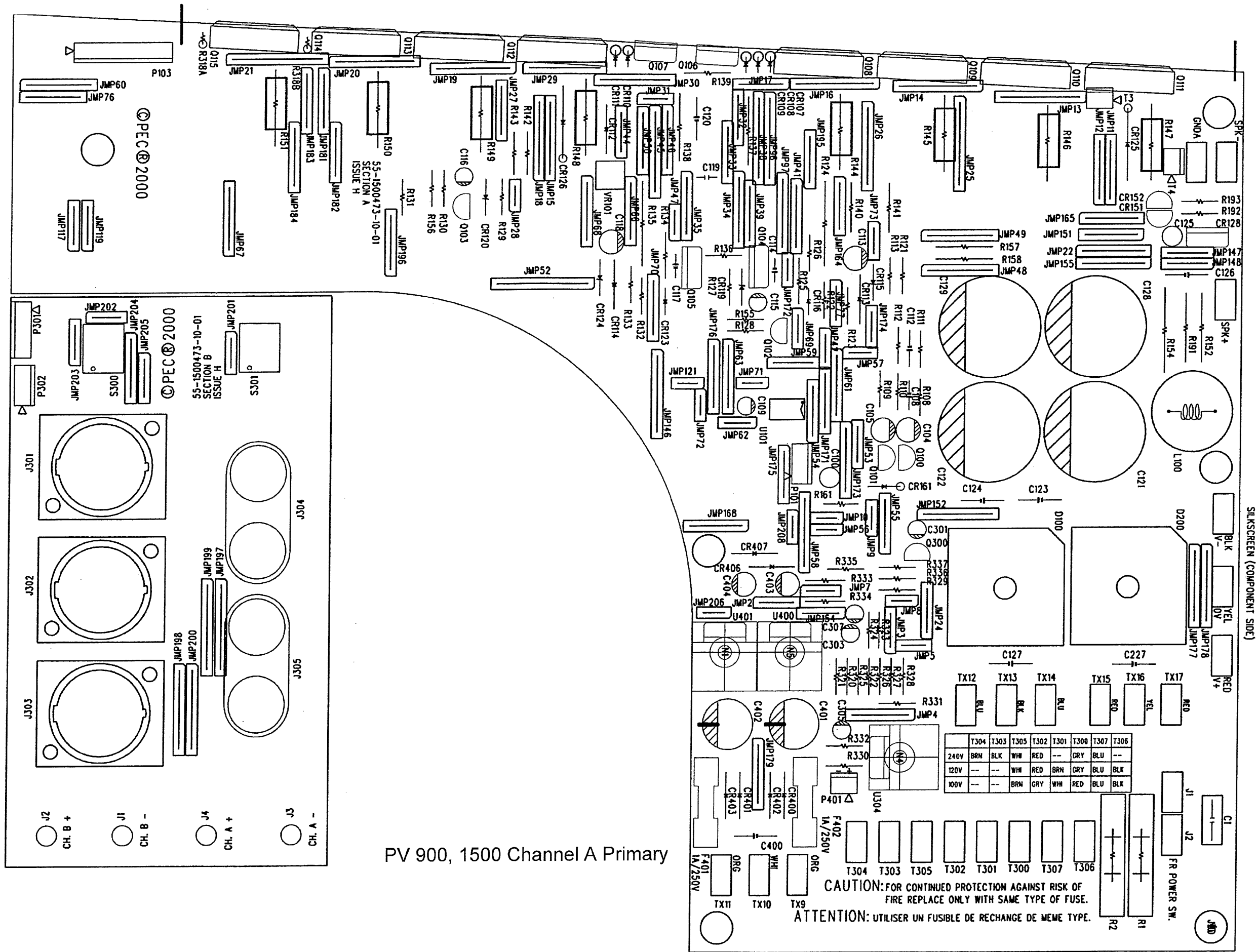
COMPANY:		Peavey Electronics Corp.		
TITLE:		PV1500 Channel A		
CODE:	SIZE:	DRAWING NO:	REV:	
PV-1500			A	
SCALE:	SHEET:		2 OF 4	

DRAWN:	DATED:
CHECKED:	DATED:
QUALITY CONTROL:	DATED:
RELEASED:	DATED:

REVISION RECORD			
LTR	ECO NO:	APPROVED:	DATE:



COMPANY: Peavey Electronics Corp.			
TITLE: PV1500 Channel B			
DRAWN:	DATED:	CODE:	SIZE:
CHECKED:	DATED:	PV-1500	DRAWING NO:
QUALITY CONTROL:	DATED:		REV: A
RELEASED:	DATED:	SCALE:	SHEET: 3 OF 4

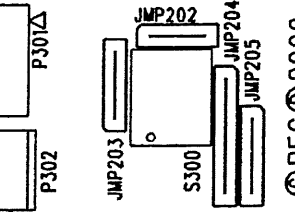


© PEC 2000

© PEC 2000

55-1500473-10-01
SECTION A
ISSUE H

55-1500473-10-01
SECTION B
ISSUE H



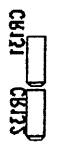
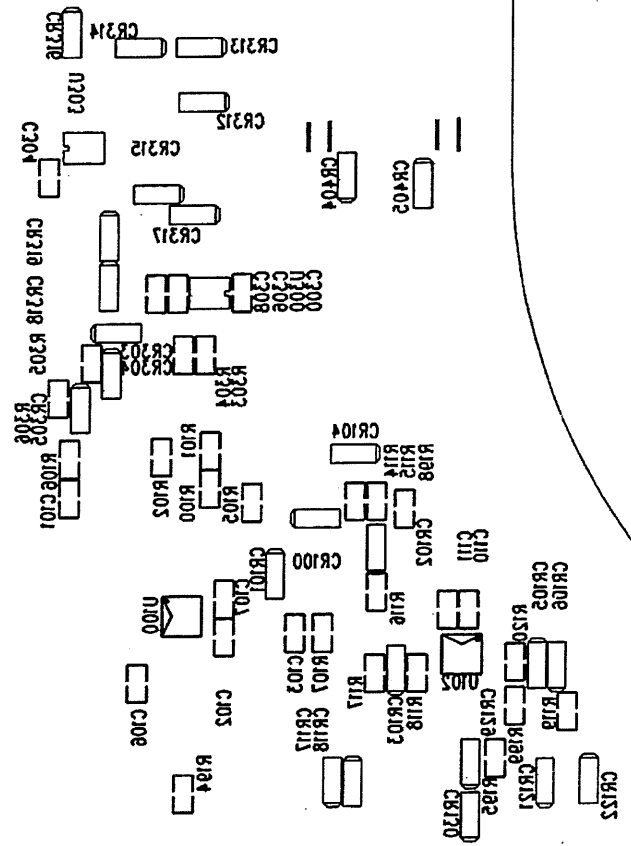
PV 900, 1500 Channel A Primary

T304	T303	T305	T302	T301	T300	T307	T306
240V	BRN	BLK	WH	RED	GRY	BLU	--
120V	--	--	WH	RED	BRN	GRY	BLU
100V	--	--	BRN	GRY	WH	RED	BLU

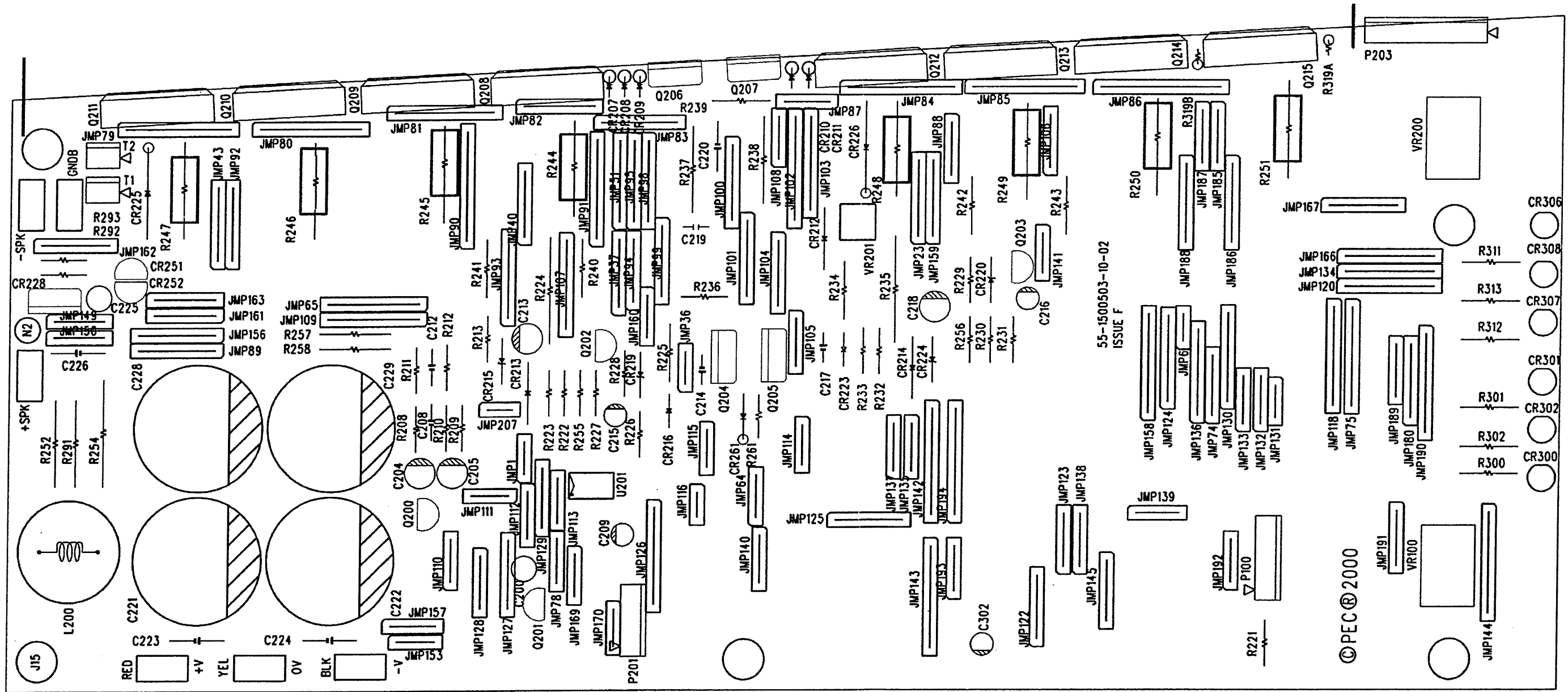
CAUTION: FOR CONTINUED PROTECTION AGAINST RISK OF FIRE REPLACE ONLY WITH SAME TYPE OF FUSE.
ATTENTION: UTILISER UN FUSIBLE DE REMPLACEMENT DE MEME TYPE.

SILKSCREEN (COMPONENT SIDE)

PV 900, 1500 Channel A Secondary

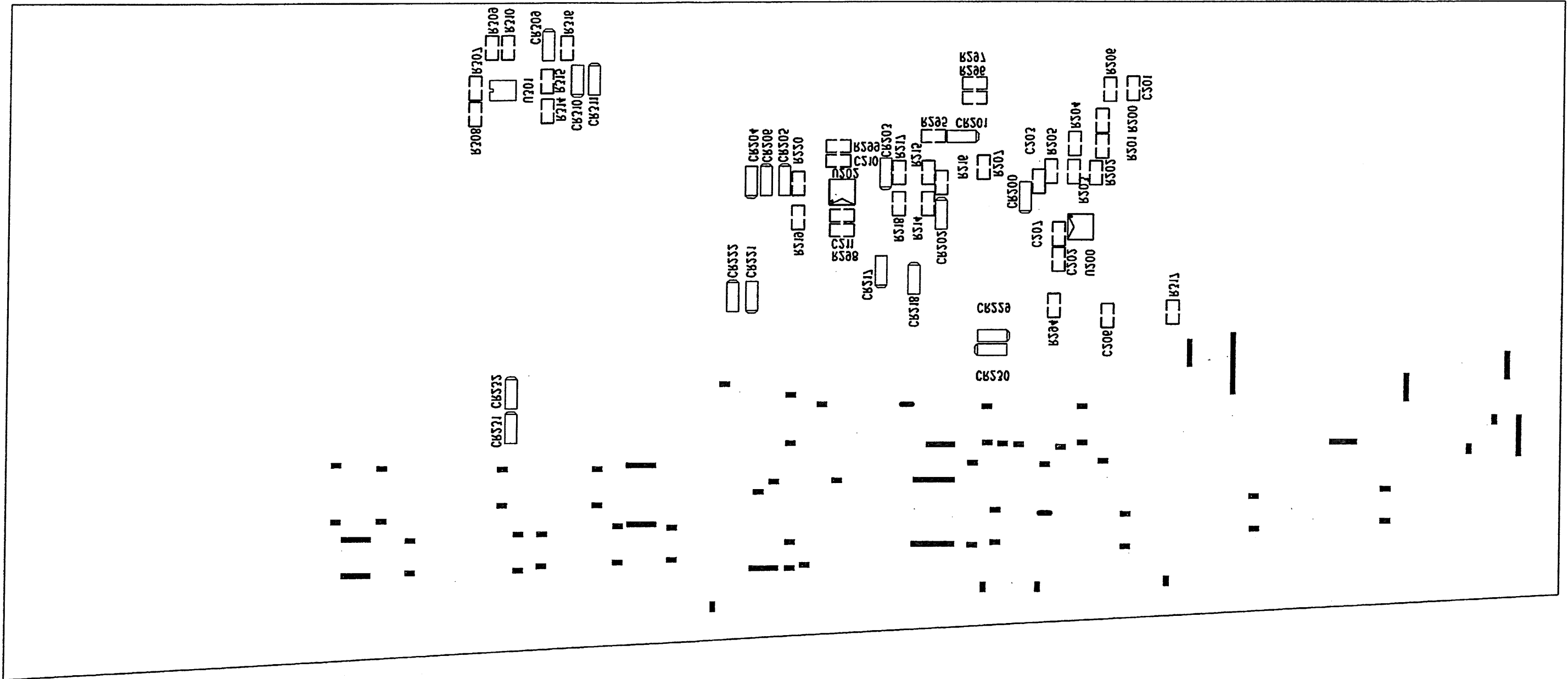


SILKSCREEN (SOLDER SIDE)



PV 900, 1500 Channel B Primary

J16 SILKSCREEN (COMPONENT SIDE) J37B



PV 900, 1500 Channel B Secondary

PV 900, 1500, 2600 Parts List

Please note: T&R means a through-hole part, SMD means a surface mount part.

Transistors, FET's

2SC5200	NPN TO-3P Output	70467230
2SA1943	PNP TO-3P Output	70457230
MJE15032	NPN TO-220 Driver	70415032
MJE15033	PNP TO-220 Driver	70415033
2SC4793	NPN TO-220 Pre-driver	70404793
2SA1837	PNP TO-220 Pre-driver	70401837
SS8050C	NPN TO-92- use MPS6531	70466531
SS8550C	PNP TO-92- use MPS6534	70466533
J174	P-Channel TO-92 FET, T&R	70400174
T3904	NPN SOT-23 SMD (PV2600)	70418135
T3906	PNP SOT-23 SMD (PV2600)	70418136
IRFZ44	TO-220 FET- use IRF1310 (PV2600, don't mix 44 and 1310)	73900381
IRF1310	TO-220 FET (PV2600, do not mix with IRFZ44)	73900381

Diodes, Bridge Rectifier

IN4003	1 amp 200v T&R	70464003
IN4001	50v 1.6a D041 SMD	70418103
IN4148	75v T&R	70464148
IN4148	75v LL34 SMD	70418026
IN4744	15v 1 watt Zener T&R	70440102
IN4745	16v 1 watt Zener- use SZP30050 T&R	70430050
BZX55	5.1v ½ watt Zener T&R	73900430
ISS244	300v T&R (PV2600)	73900429
ISS142	250v T&R	70400142
IN5402	MR502 200v 3 amp T&R	70400502
MUR1520	Fast recovery TO-220 200v, 15 amp T&R	73900374
IN5393	200v, 1.5a T&R	70465393
LED Green	Right Angle	73900433
LED Red	Right Angle	73900434
LED Yellow	Right Angle	73900435
Bridge Rectifier	25 amp 400v MP254W, BR25W	73900368

Triacs, SCR's, Regulators

LM317T	1 amp TO-220 Adjustable Regulator	70400317
7815	1.5 amp Positive 15v TO-220 Insulated Regulator	70400318
7915	1.5 amp Negative 15v TO-220 Insulated Regulator	70400319
MAC224-8	40 amp 600v TO-220 Triac (can use SAC187 70400187)	73900379
2N5064	SCR .8 amp 200v	73900437

Integrated Circuits

NJM4560M	Dual Opamp S0-8 SMD	70418053
LM311	Voltage Comparator S0-8 SMD	70418014
CA3080	Single OTA 8 pin DIP	70413080
LM358	Low Power Dual Opamp S0-8 SMD	70418276

Thermistors, Surgistors, Capacitors, Resistors

NTH4037A502	Thermistor NTC	73900378
Surgistor	1 ohm 30 amp	70250123
1200uf 63v	Radial Cap	73900369
3300uf 100v	Radial Cap	73900370
4700uf 80v	Radial Cap	73900371
22uf 50v	Radial Cap	70320181
10uf 50v	Radial Cap	70320185
2.2uf 50v	Non-Polarized Radial Cap	70320184
.33 ohm 5 watt	Resistor T&R	70250003
5.6 ohm 5 watt	Resistor T&R	70250026
4k ohm 5 watt	Resistor T&R	70250050
22 ohm 1 watt	Resistor T&R	70210001
47k 1 watt	Resistor T&R	70210004
4.7 ohm ¼ watt	Resistor T&R Flameproof	70240094

Miscellaneous

Circuit Breaker	10 amp	73900372
Circuit Breaker	15 amp	70901275
Circuit Breaker	5 amp (export)	73900440
Circuit Breaker	8 amp (export)	70902302
1 amp Fuse	Slow-Blow 5x20 mm	73900569
Fuse Clip	P.C. Mount	73900431
Fan	24v	73900375
Volume Pot	50k Linear	73900380
Knob	Low Profile, flush with front of unit (newer style)	70902298
Knob	Earlier Units, not flush with front of unit (older style)	73900432
Knob Adapter	White Pointer Adapter for 73900432 knob above	73900432
Power Switch		73900377
Push Switch	Bridge, DDT Defeat	73900376
Binding Posts	Red and Black Posts, per channel	73900438
Speakon Connector		B7050018
Neutrik Combo Input Jack		71466398