

TRACE ELLIOT

SERVICE MANUAL NO. SM00024

ISSUE 1

Date: October 28, 1996
Product Code : T3450 / T3465
Model No : Brat Reverb & Non-Reverb
Technical File No : TE00024

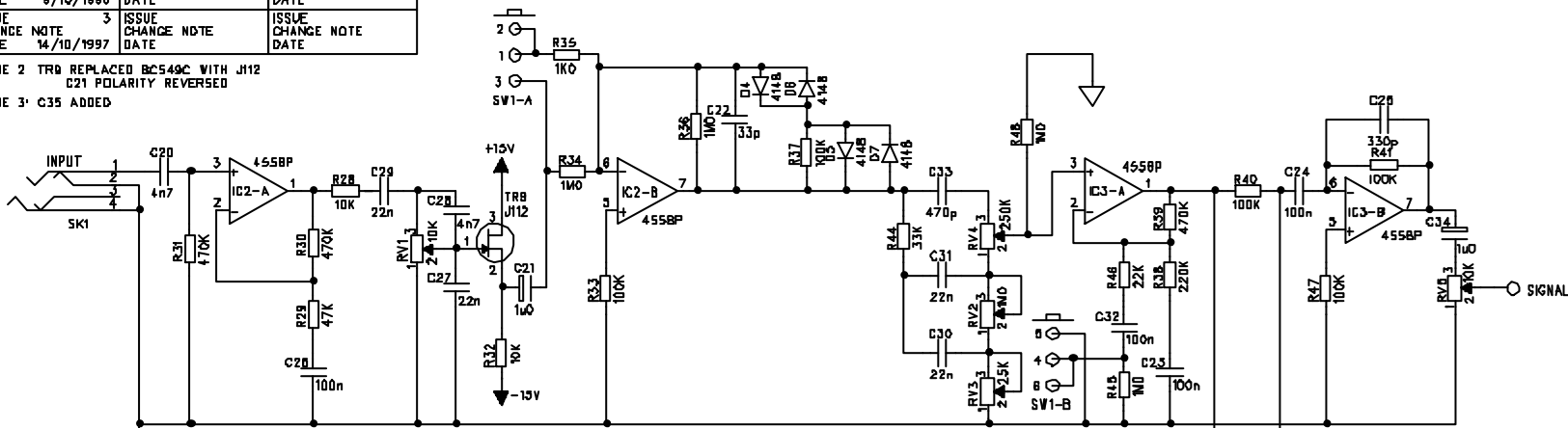
Issued by:

**Trace Elliot Limited.
Blackwater Trading Estate
The Causeway, Maldon
Essex CM4 4GG.**

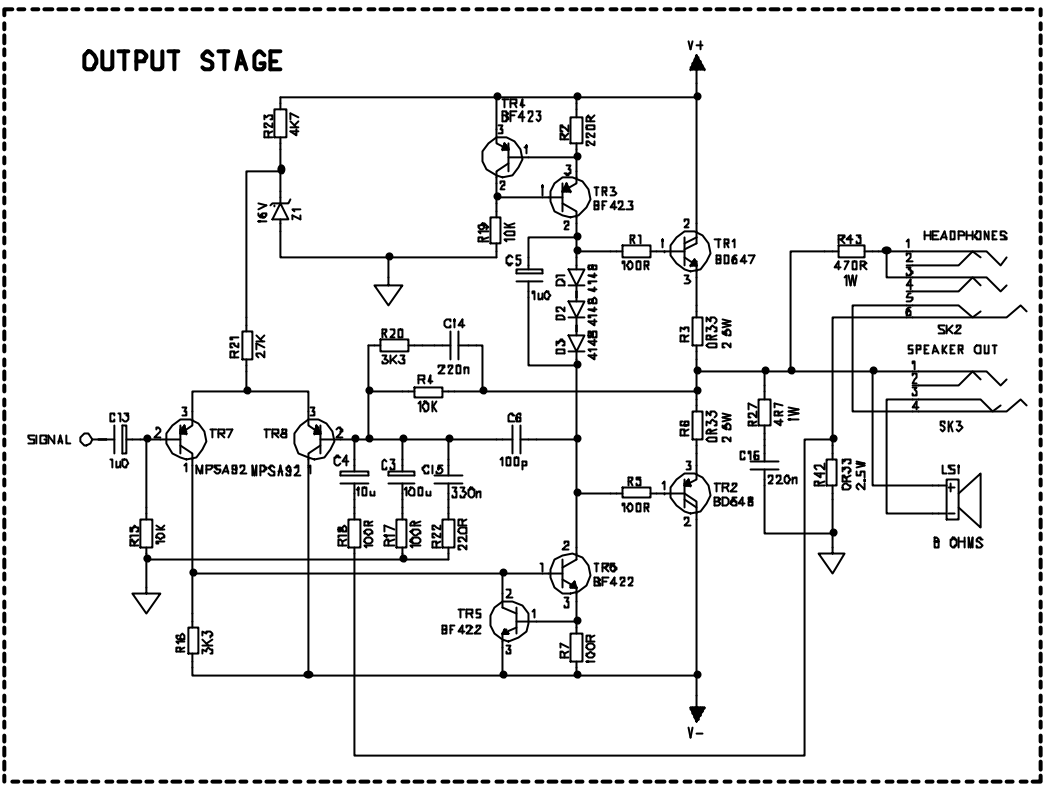
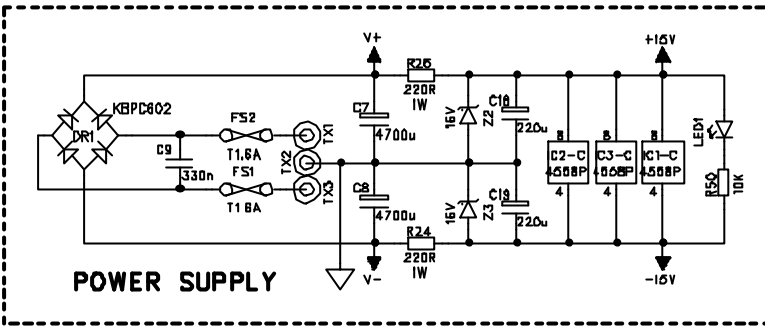
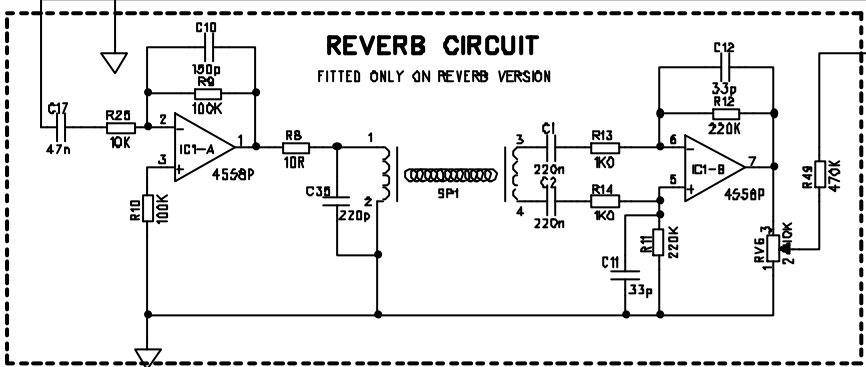
ISSUE CHANGE DATE	2 9/10/1998	ISSUE CHANGE DATE	ISSUE CHANGE DATE
ISSUE CHANGE DATE	3 14/10/1997	ISSUE CHANGE DATE	ISSUE CHANGE DATE

ISSUE 2 TR8 REPLACED BC549C WITH J12
C21 POLARITY REVERSED

ISSUE 3: C35 ADDED



!
COMPONENTS USED ARE
OF AN APPROVED TYPE AND
MUST BE REPLACED ACCORDINGLY



TITLE	CIRCUIT DIAGRAM	TRACE ELLIOT LTD BLACKWATER TRADING ESTATE NALDON ESSEX CB8 4DD GREAT BRITAIN TEL (01821) 851851 FAX (01821) 881970
PROJECT	BRAT GUITAR AMPS	
DRAWING No	C000088	
ISSUE	3	
DATE	14/10/1997	
DRAWN BY	PAUL STEVENS & J B RECKLESS	

C32-PCB-PC00069x1.

PARTS LIST FOR BRAT 15R PC00069x4

ISSUE 1 LIST ANDY EWEN 12/8/98.

Qty	Part Code	Value	Reference
Zero ohm links			
41	72-RCZERO		as indicated on PCB
Axial capacitors			
4	72-C100N-100VCA	100n	C23-24 C26 C32
1	72-C100P-100VCA	100p	C6
1	72-C150P-100VCA	150p	C10
4	72-C220N-50VCA	220n	C1-2 C14 C16
1	72-C220P-100VCA	220p	C35
4	72-C22N-100VCA	22n	C27 C29-31
2	72-C330N-50VCA	330n	C15 C9
1	72-C330P-100VCA	330p	C25
3	72-C33P-100VCA	33p	C11-12 C22
1	72-C470P-100VCA	470p	C33
1	72-C47N-100VCA	47n	C17
2	72-C4N7-100VCA	4n7	C20 C28
Axial diodes			
7	72-D-1N4148	4148	D1-7
3	72-D-BZX55C16V	16V	Z1-3
Axial resistors			
7	72-RM100K	100K	R9-10 R33 R37 R40-41 R47
5	72-RM100R	100R	R1 R5 R7 R17-18
7	72-RM10K	10K	R15 R4 R19 R25 R28 R32 R50
1	72-RM10R	10R	R8
3	72-RM1K	1K0	R35 R14 R13
4	72-RM1M	1M0	R34 R36 R45 R48
3	72-RM220K	220K	R12 R11 R38
2	72-RM220R	220R	R2 R22
2	72-RM220R-1WATT	220R	R24 R26
1	72-RM22K	22K	R46
1	72-RM27K	27K	R21
1	72-RM33K	33K	R44
2	72-RM3K3	3K3	R16 R20
4	72-RM470K	470K	R30-31 R39 R49
1	72-RM470R-1WATT	470R	R43
1	72-RM47K	47K	R29
1	72-RM4K7	4K7	R23
1	72-RM4R7-1WATT	4R7	R27

3	72-RWW0R33-2.5W	0R33	R3 R6 R42
Non axial components			
1	72-C100-16VER	100u	C3
1	72-C10-63VER	10u	C4
4	72-C1-35VT	1u0	C5 C13 C21 C34 NB: C21 HAS POLARITY REVERSED ON ISSUE 1 PCBs ONLY
2	72-C220-25VER	220u	C18-19
3	72-IC-RC4558P	4558P	IC1-3
1	72-FET-J-112P	J112 PINK	TR9 NB: SWAP PINS 1 AND 2 ON ISSUE 1 PCBs ONLY
2	72-TBF422	BF422	TR5-6
2	72-TBF423	BF423	TR3-4
2	72-TMPSA92	MPSA92	TR7-8
1	72-BRIDGE-2	KBPC602	DR1
2	72-CAP-470035V	4700u	C7-8
2	72-CRIMP-PCB-TAB		LS1
3	72-CRIMP-PCB-TAB		TX1-3
1	72-CRIMP-PCB-TAB		GND1
2	72-FUS-1.6AT-2	T1.6A	FS1-2
2	72-FUS-HLD-PCB-2	T1.6A	FS1-2
2	72-HEAD-2W		SP1
1	72-LED-RED		LED1
3	73-POT-A10K	10K	RV1 RV5-6
1	73-POT-A1M	1M0	RV2
1	73-POT-A250K	250K	RV4
1	73-POT-A25K	25K	RV3
1	73-SKT-JCKBBBS	stereo silver	SK2
2	73-SKT-JCKBNBS	mono silver	SK1 SK3
1	73-SWT-F2UEE	F2UEE	SW1
1	71-KNOB-PUSH-ON3	IVORY CAP	SW1
1	72-TBD647	BD647	TR1
1	72-TBD648	BD648	TR2
2	72-MOS-PAD-TO220		TR1 TR2
1	F13-HS-BRAT		
2	71-SCR-M3X12PPB		TR1 TR2
2	71-WAS-M3NYL		TR1 TR2
2	71-WAS-M3ABLK		TR1 TR2
2	71-NUT-M3ZINC		TR1 TR2
1	73-PCB-PC00069		ISSUE 4