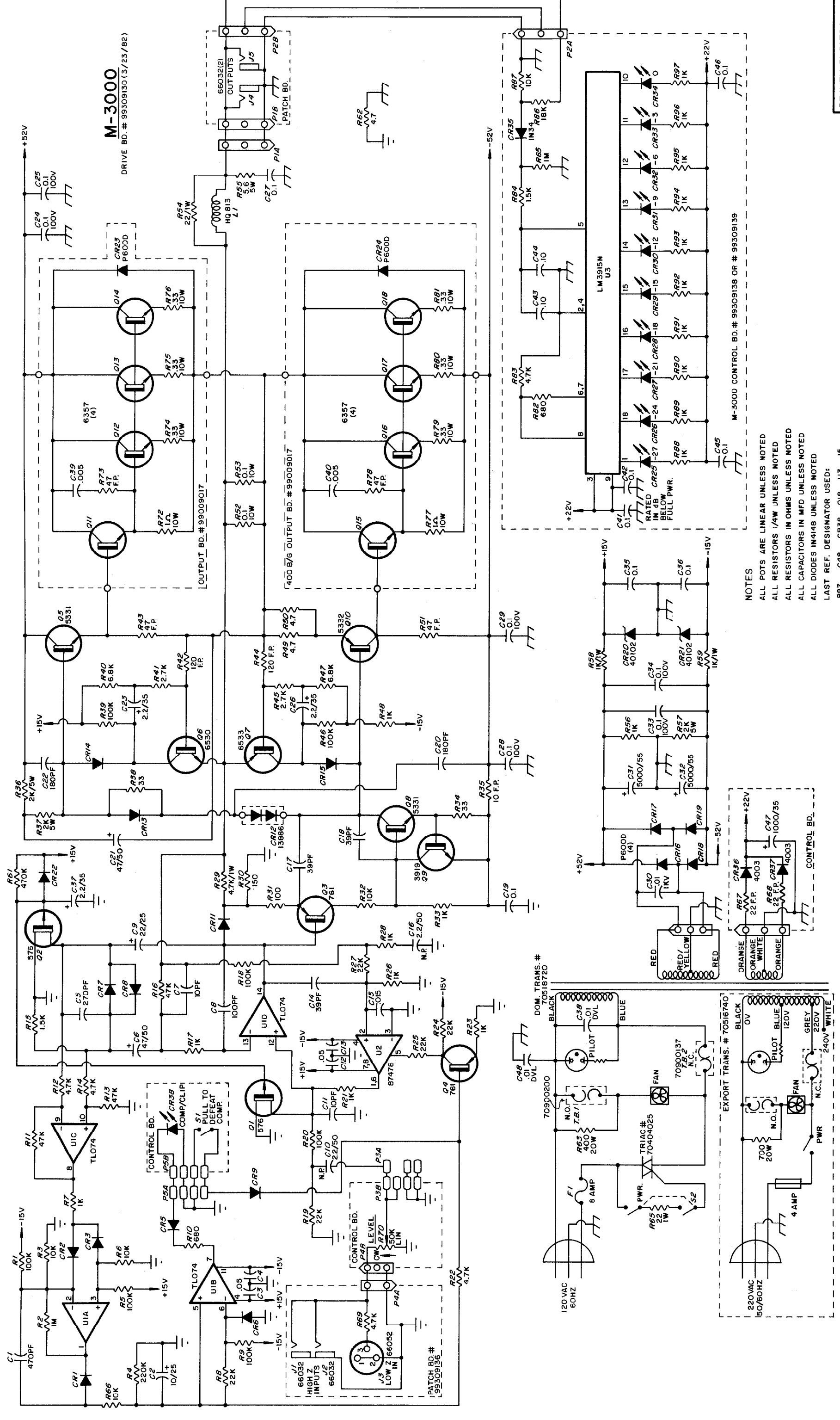
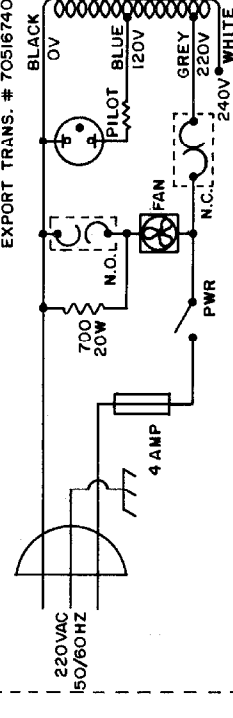
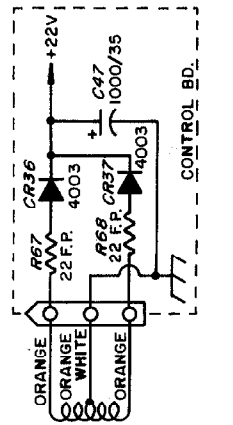


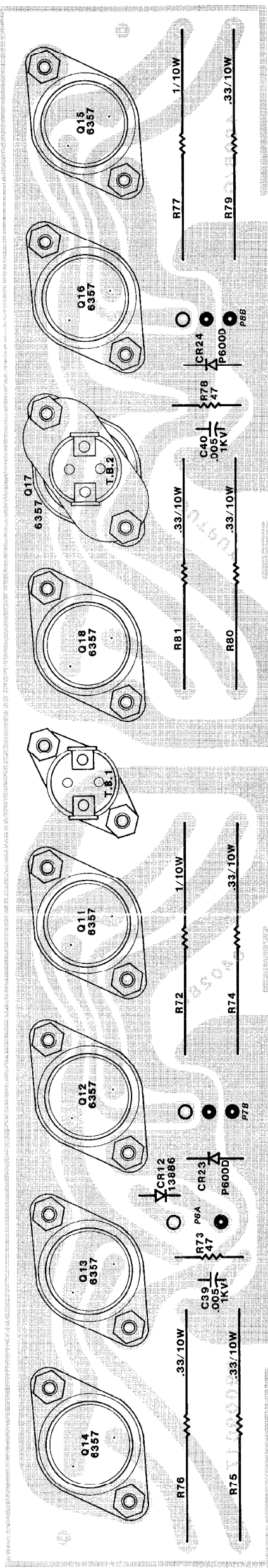
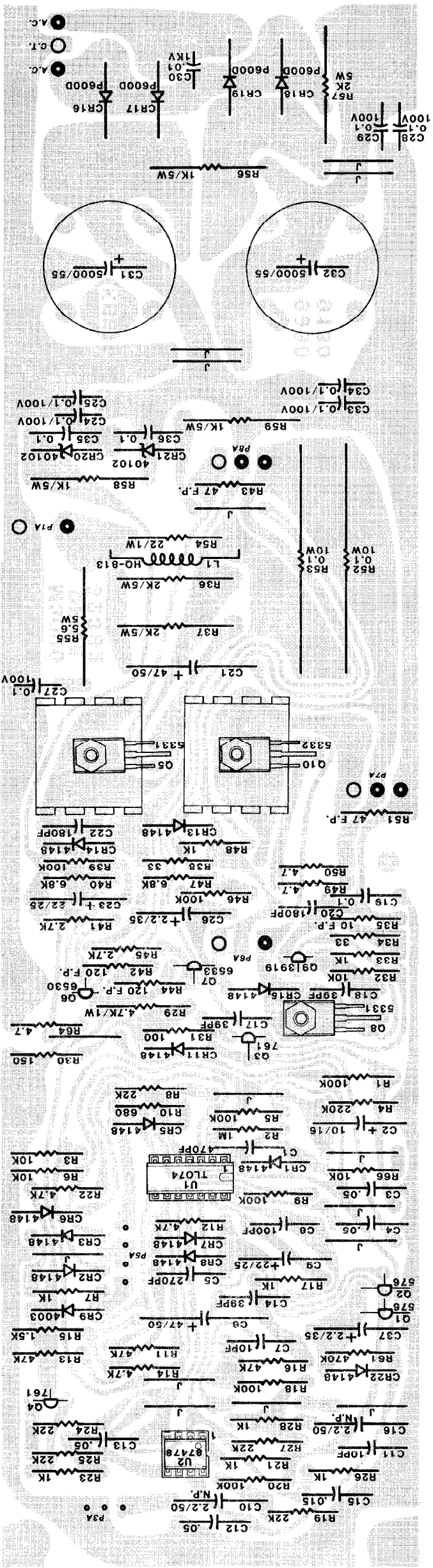
M-3000
 DRIVE BD. # 99309130 (3/23/82)



NOTES
 ALL POTS ARE LINEAR UNLESS NOTED
 ALL RESISTORS 1/4W UNLESS NOTED
 ALL RESISTORS IN OHMS UNLESS NOTED
 ALL CAPACITORS IN MFD UNLESS NOTED
 LAST REF. DESIGNATOR USED:
 R97 C48 CR38 Q18 U3 J5
 CIRCUITRY PATENTS APPLIED FOR AND PENDING

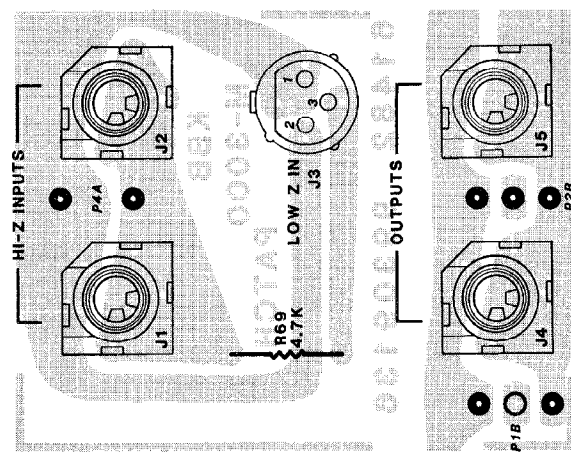
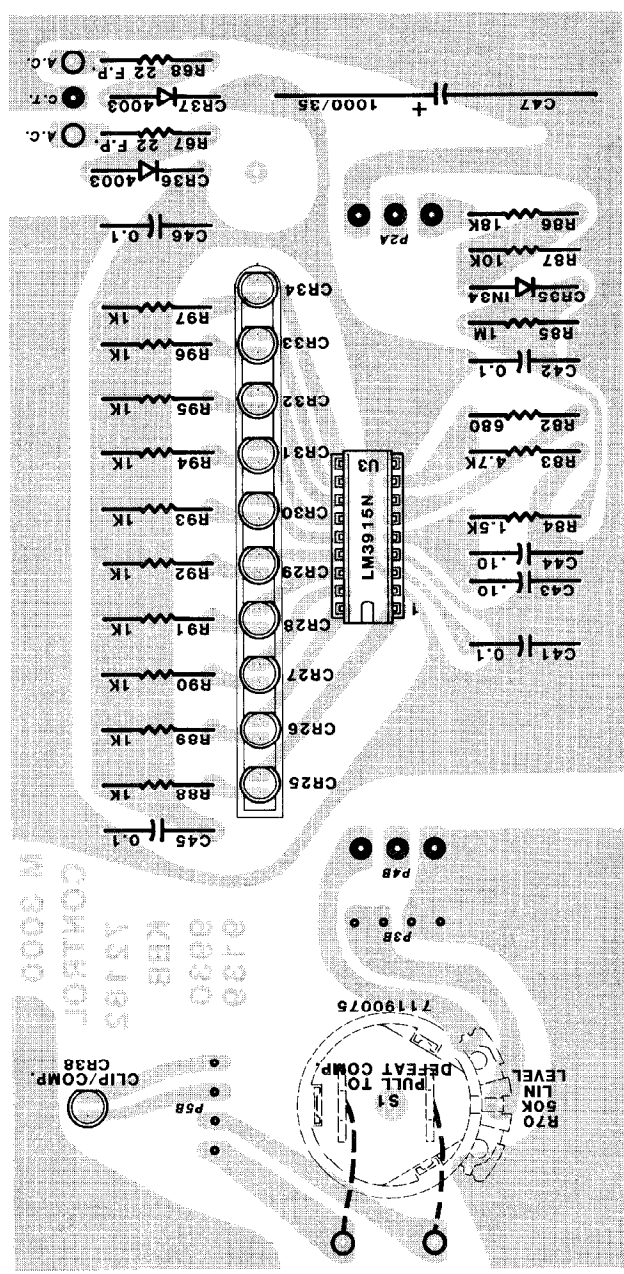


M-3000 DRIVE BD.



M-3000 OUTPUT BD.

M-3000 CONTROL BD.



M-3000 PATCH BD.