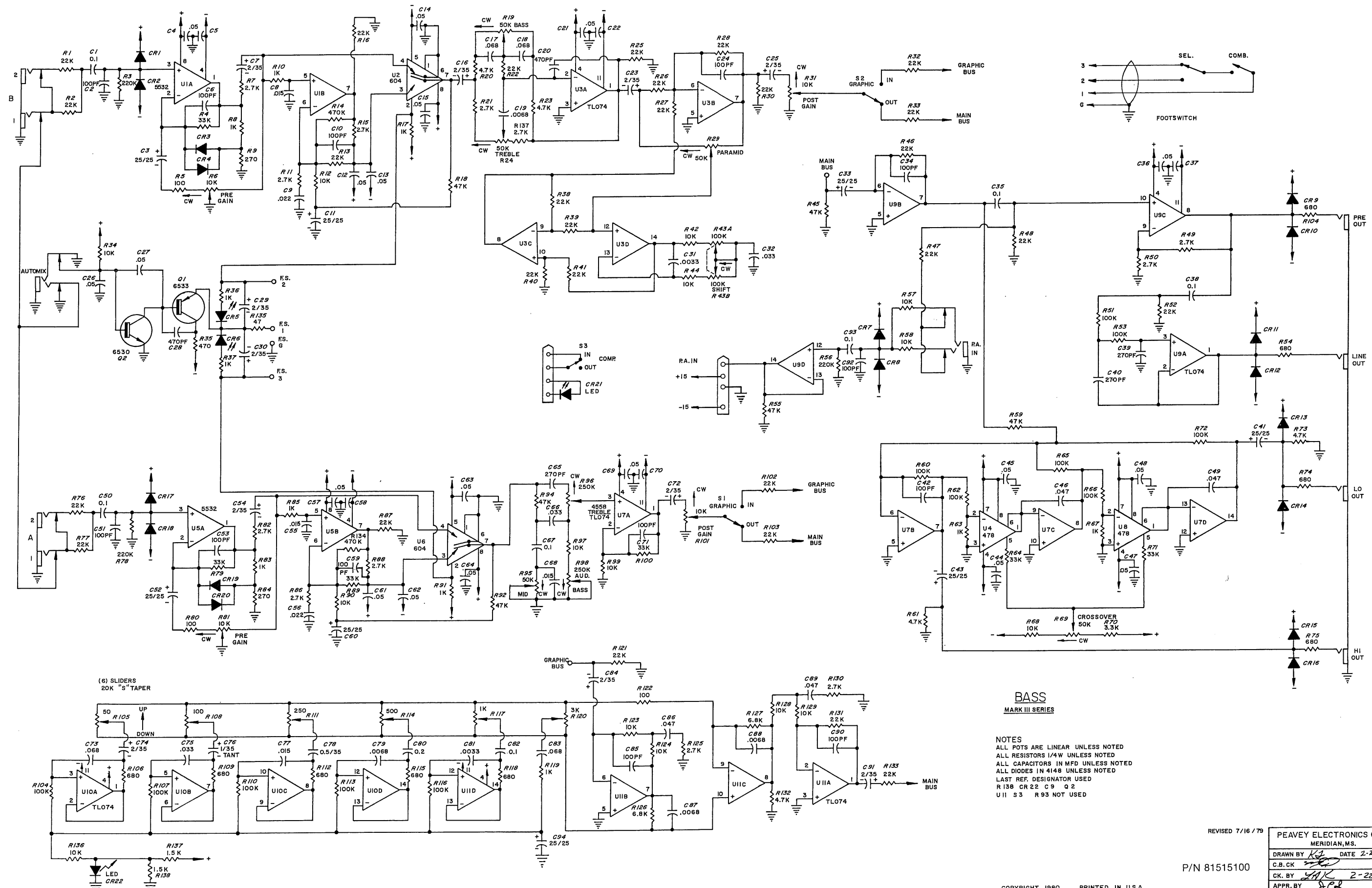


BASS



BASS
MARK III SERIES

NOTES
 ALL POTS ARE LINEAR UNLESS NOTED
 ALL RESISTORS 1/4W UNLESS NOTED
 ALL CAPACITORS IN MFD UNLESS NOTED
 ALL DIODES IN 4148 UNLESS NOTED
 LAST REF. DESIGNATOR USED
 R138 CR22 C9 Q2
 U11 S3 R93 NOT USED

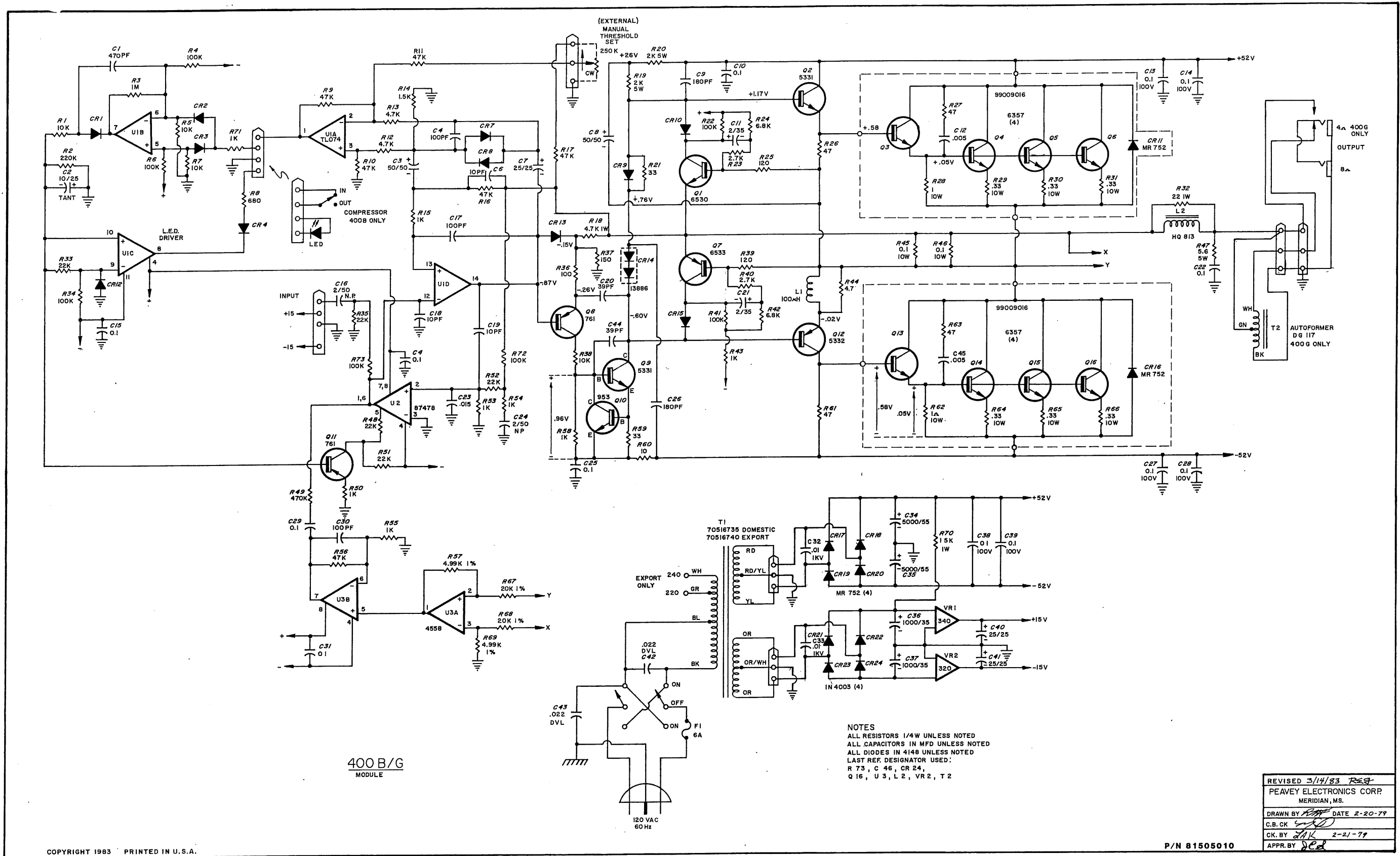
(6) SLIDERS
 20K "S" TAPER

REVISED 7/16 /79

| | |
|--|--------------|
| PEAVEY ELECTRONICS CORP MERIDIAN, MS. | |
| DRAWN BY <i>KJ</i> | DATE 2-22-79 |
| C.B. CK | |
| CK. BY <i>SNK</i> | 2-22-79 |
| APPR. BY <i>J.C.P.</i> | |

P/N 81515100

COPYRIGHT 1980 PRINTED IN U.S.A.



400 B/G
MODULE

NOTES
ALL RESISTORS 1/4W UNLESS NOTED
ALL CAPACITORS IN MFD UNLESS NOTED
ALL DIODES IN 4148 UNLESS NOTED
LAST REF. DESIGNATOR USED:
R 73, C 46, CR 24,
Q 16, U 3, L 2, VR 2, T 2

| | | |
|---|---------|---------|
| REVISED | 3/14/83 | REG |
| PEAVEY ELECTRONICS CORP. MERIDIAN, MS. | | |
| DRAWN BY | DATE | 2-20-79 |
| C.B. CK | | |
| CK. BY | DATE | 2-21-79 |
| APPR. BY | | |

