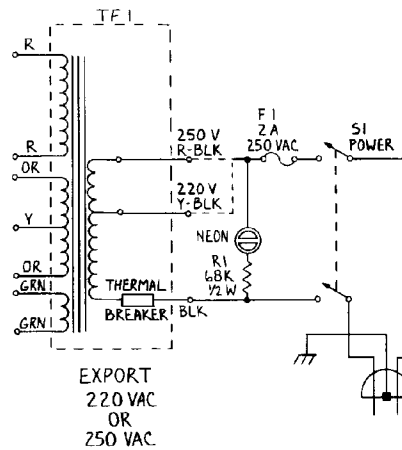
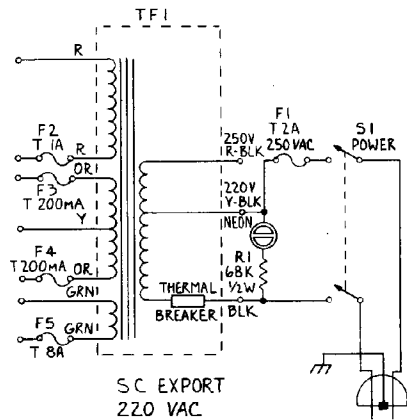
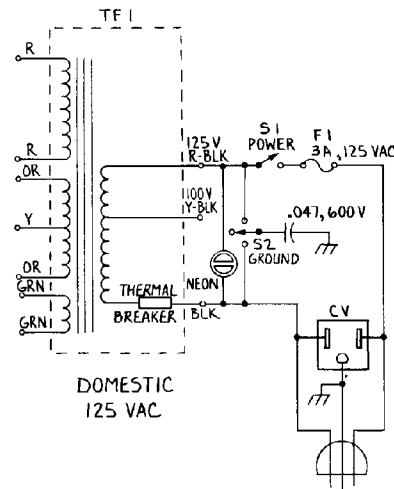
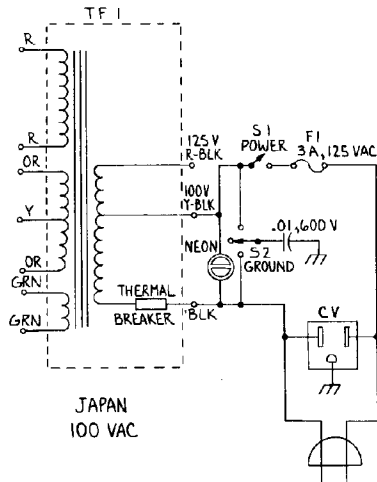




Amplifier Schematics

Chassis Number: 1650-RD

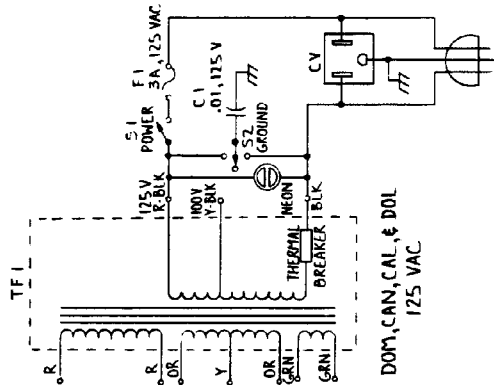


TF 1 PART NUMBERS
 7-50-120 ——— 100-120 VAC
 7-50-250 ——— 220-250 VAC

POWER TRANSFORMER DIAGRAM, RD-50		
SCALE:	DESIGNED BY:	DRAWN BY: JMLC
DATE: 8-25-80	<i>H. Johnson</i>	REVISION: 12-23-80
MUSIC MAN INC.		ANAHEIM, CA.
DRAWING NUMBER:		5003

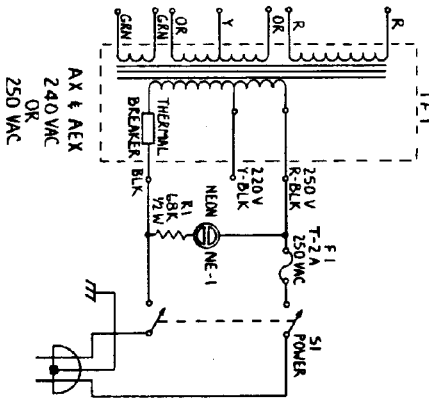
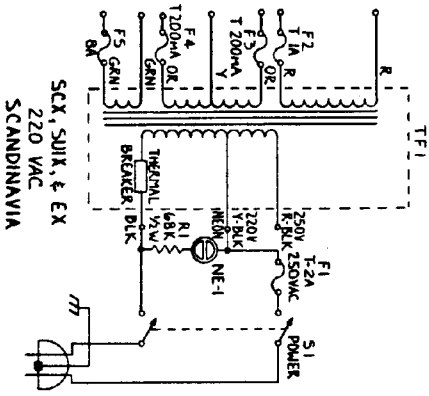
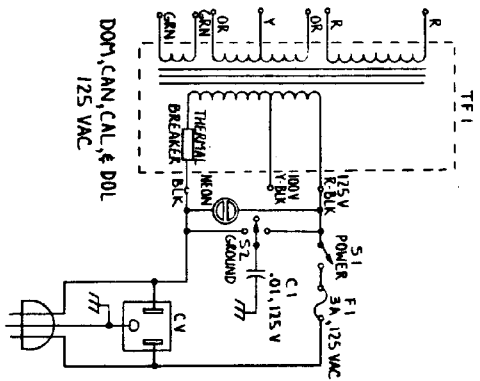
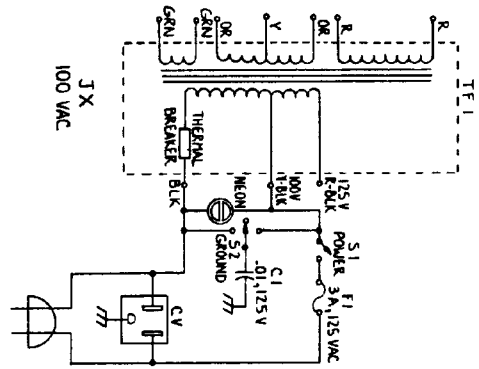
PARTS-PRICE LIST - RD 50 SERIES

- Output Transformer
- Power Transformer
- Tubes 12AX7 (7025)
- Tubes 6L6
- Tube socket, 8 pin
- Tube socket, 9 pin
- Pilot light assembly
- Control knobs - black- 0-10
- Fuse 3A 125V Slo-bio
- Fuse cap (push type)
- Fuseholder (screw-in type)
- Switch, rocker SPST (ground)
- Switch, toggle SPST (power)
- Control, 1 Meg Audio (volume)
- Diode IN 914
- Diode IN 4003
- Diode IN 4007
- Diode IN 4751A
- Diode IN 5353
- Transistor ZTS109 (2N3391)
- Transistor JE1693 (2N6292)
- IC TL072 (LF-353)
- IC MC 4016B
- Tolex covering-black
- Grill cloth
- Reverb pan (3 spring)
- Reverb input transducer
- Reverb output transducer
- Reverb spring (30")
- Speaker 10" G/HD
- Speaker 12" C12G
- Speaker 10" Electro-Voice
- Speaker 12" Electro-Voice



REVISION	DATE	APP
A	10/25/81	(6)
A. AC FUSE RATING CHART C.B.		

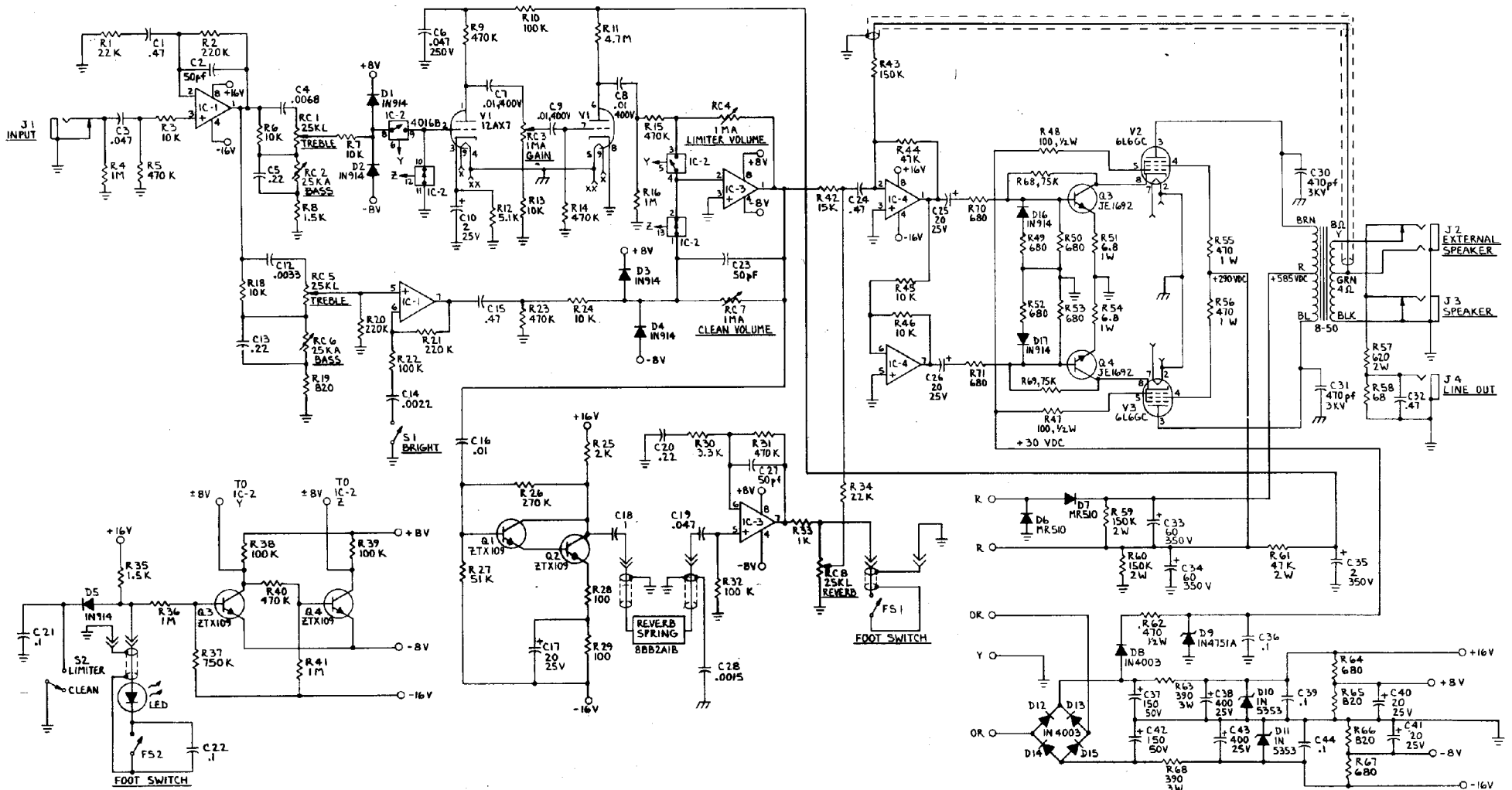
POWER TRANSFORMER DIAGRAM, RD-50	
DESIGNED BY	U(L)
DATE	8-25-80
REVISED BY	U(L)
DATE	12-23-80
MUSIC MAN INC. ANAHEIM, CA.	
REV. A	5003



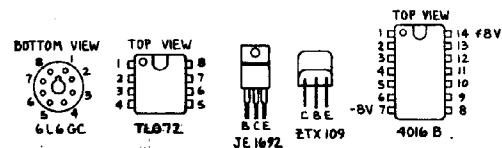
TF 1 PART NUMBERS
 T-50-120 100-120 VAC
 T-50-250 220-250 VAC

POWER TRANSFORMER DIMCANT, RD-50	
Part No. 8-75-B01	440
MUSIC MAN INC., ANNEHURST, ILL., U.S.A.	
REV B	5003

REVISION	DATE
A ADD FUSE RATING CHART	10/25/81
B CHANGE TO Y TYPE FUSE	11/20/81 JLV



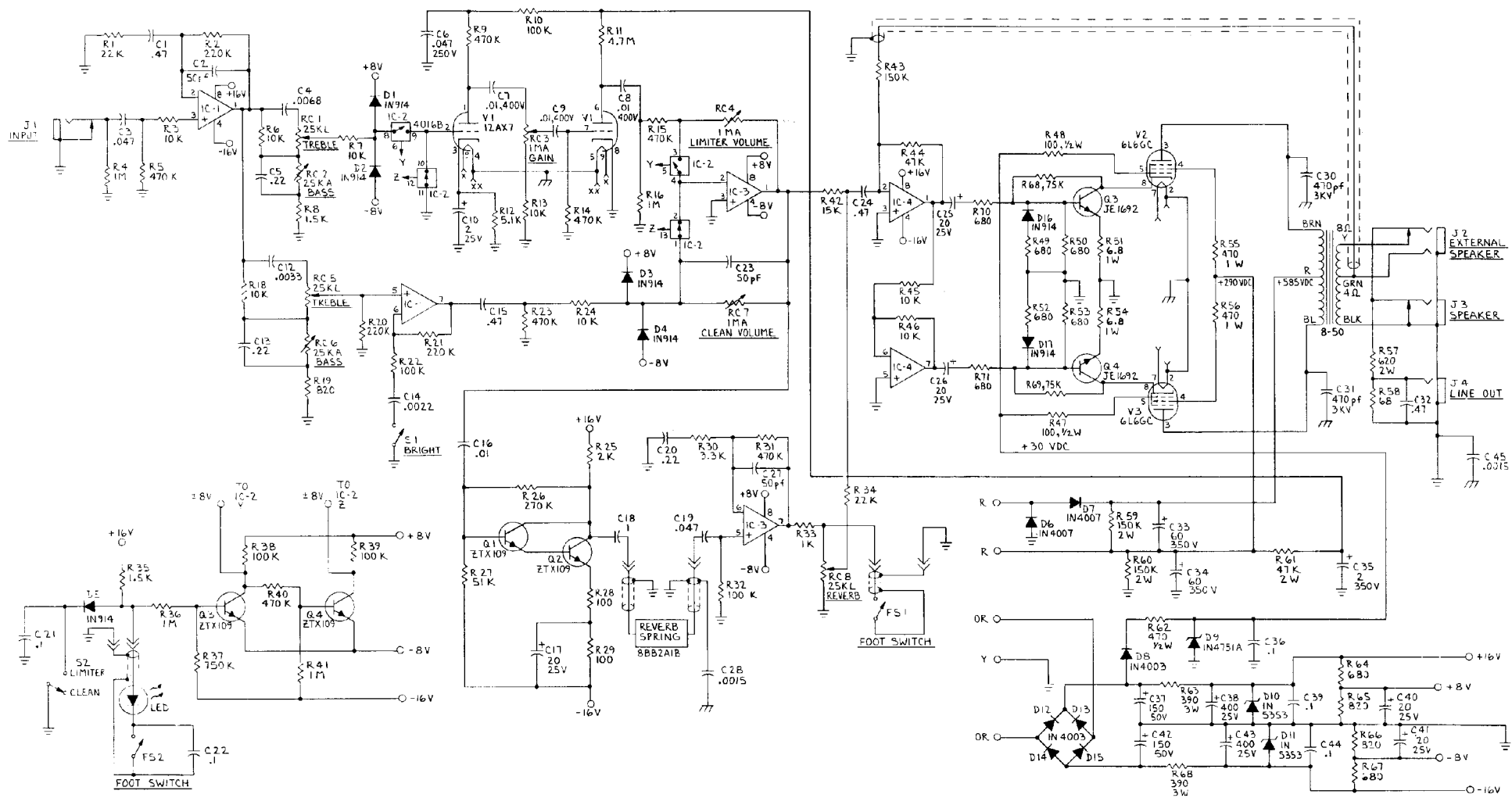
GRN → X
GRN → XX



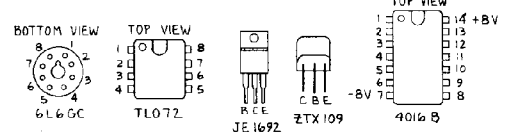
5. +8V & -8V ARE NOMINAL; ACTUAL VOLTAGE MAY VARY ±1 VOLT.
 4. IC-2 IS 4016B.
 3. IC'S 1,3, & 4 ARE TL072.
 2. ALL CAPACITANCE VALUES ARE IN MICROFARADS (μF) EXCEPT WHERE NOTED.
- NOTE: 1. ALL RESISTANCE VALUES ARE IN OHMS (Ω), ¼ WATT, EXCEPT WHERE NOTED.

DRAWN J. McCarty 9-3-80	MUSIC MAN INC. ANAHEIM, CA.
CHECKED T. WALKER 9-3-80	SCHEMATIC DIAGRAM RD-50 AMPLIFIER
DESIGNED T. WALKER	
APPROVED J. McCarty	SCALE
APPROVED J. McCarty	DWG. NO. S004
	SHEET 1 OF 1

REVISION	DATE
A. REVISE LIMITER TONE CIRCUIT PACKAGE SELECTION FOR 200A'S CONDITION SEE 5004A-2	11-17-80 JAW
B. ADD C 45, D4, D7 HERE AND 50	1-30-81 JAW



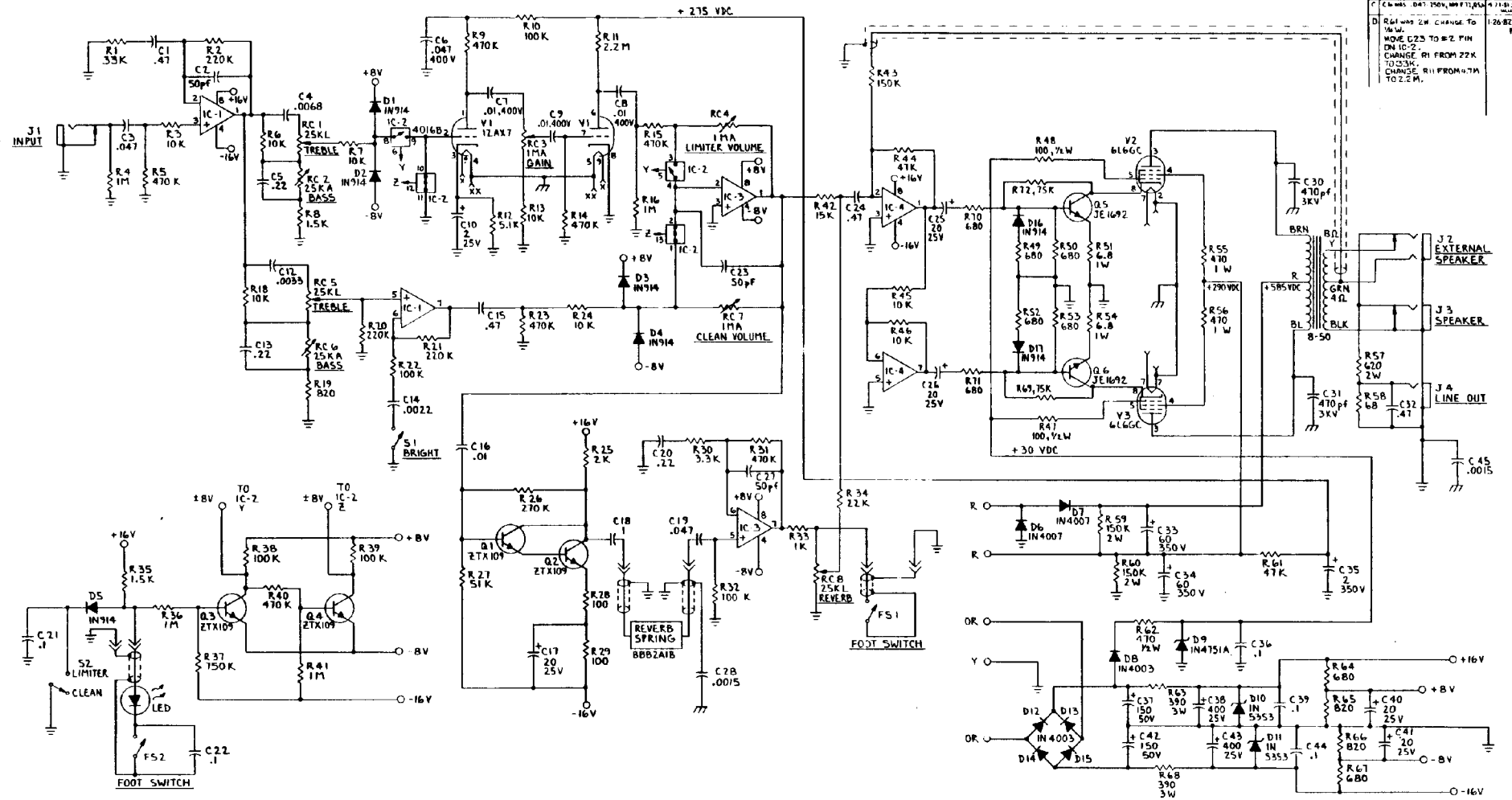
5. +8V & -8V ARE NOMINAL; ACTUAL VOLTAGE MAY VARY ±1 VOLT.
 4. IC-2 IS 4016B.
 3. IC'S 1,3,4 ARE TL072.
 2. ALL CAPACITANCE VALUES ARE IN MICROPARADS (μF) EXCEPT WHERE NOTED.
 NOTE: 1. ALL RESISTANCE VALUES ARE IN OHMS (Ω), 1/4 WATT, EXCEPT WHERE NOTED.



GRN ○ → x
 GRN ○ → xx

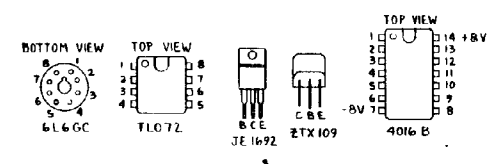
DRAWN J. McCarty 9-3-80	MUSIC MAN INC. ANAHEIM, CA.	
CHECKED T. WALKER 9-3-80	SCHEMATIC DIAGRAM - RD-50 AMPLIFIER	
DESIGNED T. WALKER		
APPROVED		
APPROVED JAW		
SCALE	DWG. NO. 5004	REV. B
SHEET 1 OF 1		

REVISION	DATE
A	11-11-80
B	1-30-81
C	4-21-81
D	1-26-82



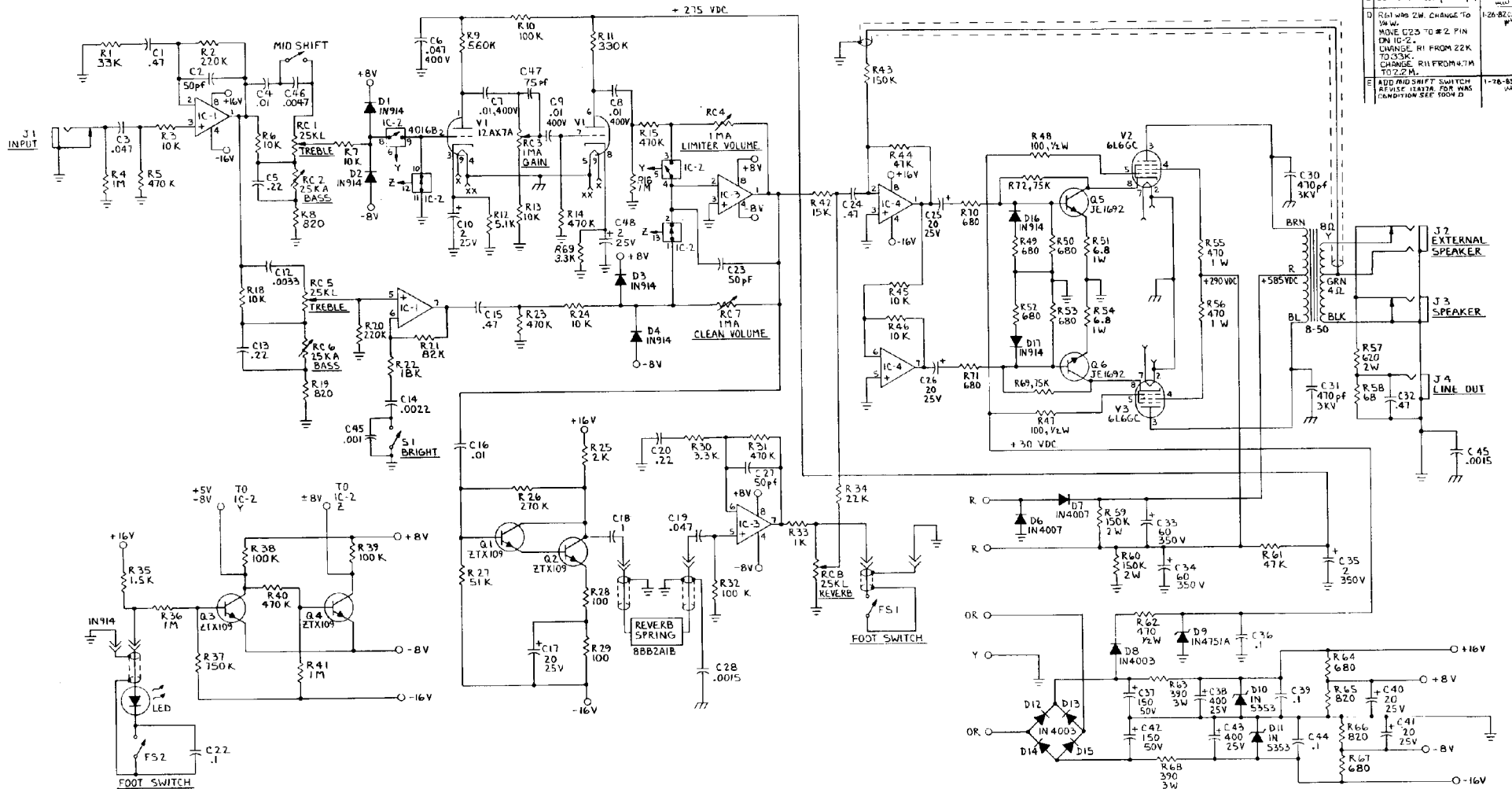
REVISION	DATE
A	11-11-80
B	1-30-81
C	4-21-81
D	1-26-82

5. +8V & -8V ARE NOMINAL; ACTUAL VOLTAGE MAY VARY ±1.5 VOLTS.
 4. IC-2 IS 4016B.
 3. IC'S 1,3,&4 ARE TL072.
 2. ALL CAPACITANCE VALUES ARE IN MICROFARADS (μF) EXCEPT WHERE NOTED.
 NOTE: 1. ALL RESISTANCE VALUES ARE IN OHMS (Ω), ¼ WATT, EXCEPT WHERE NOTED.

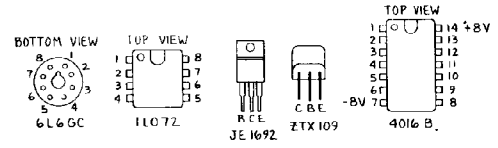


DRAWN C. BROS	3-1-82	MUSIC MAN INC. WAUWATON, WI.
CHECKED T. WALKER	1-26-81	RD-50 AMPLIFIER SCHEMATIC DIAGRAM RD-50B BOARD
DESIGNED T. WALKER		
APPROVED M. J.	1-10-81	SCALE
APPROVED D.W.		DWG. NO. 5004
		SHEET 1 OF 1

REVISION	DATE
A. PARTS LISTER NAME (LNU) (REVISED SECTION FOR WMS) (CONVERTER SEE 5004 MC)	11-11-80
B. ADD C.45, 54337 WIRE PER SW	1-30-81
C. C6 WAS .041 250V, NOW R17, R18	4-11-81
D. R11 WAS 2W. CHANGE TO 1/4 W. MOVE C25 TO #2 PIN ON IC-2. CHANGE R1 FROM 22K TO 33K. CHANGE R11 FROM 4.7M TO 2.2M.	1-28-82
E. ADD MID SWIFT SWITCH REFUSE 15478 FOR WMS CONDITION SEE FOOD D	1-28-83



GRN ○ → x
GRN ○ → xx



5. +BV & -BV ARE NOMINAL; ACTUAL VOLTAGE MAY VARY ±1.5 VOLTS.
4. IC-2 IS 4016B.
3. IC'S 1,3,&4 ARE 1207Z.
2. ALL CAPACITANCE VALUES ARE IN MICROFARADS (μF) EXCEPT WHERE NOTED.
- NOTE: 1. ALL RESISTANCE VALUES ARE IN OHMS (Ω), 1/4 WATT, EXCEPT WHERE NOTED.

DRAWN T. WALKER	3-1-82	MUSIC MAN INC. ANAHEIM, CA.
CHECKED T. WALKER	1-2-82	RD-50 AMPLIFIER SCHEMATIC DIAGRAM RD-50B BOARD
APPROVED W	1-2-82	SCALE: DWG. NO. 5004 SHEET 1 OF 1