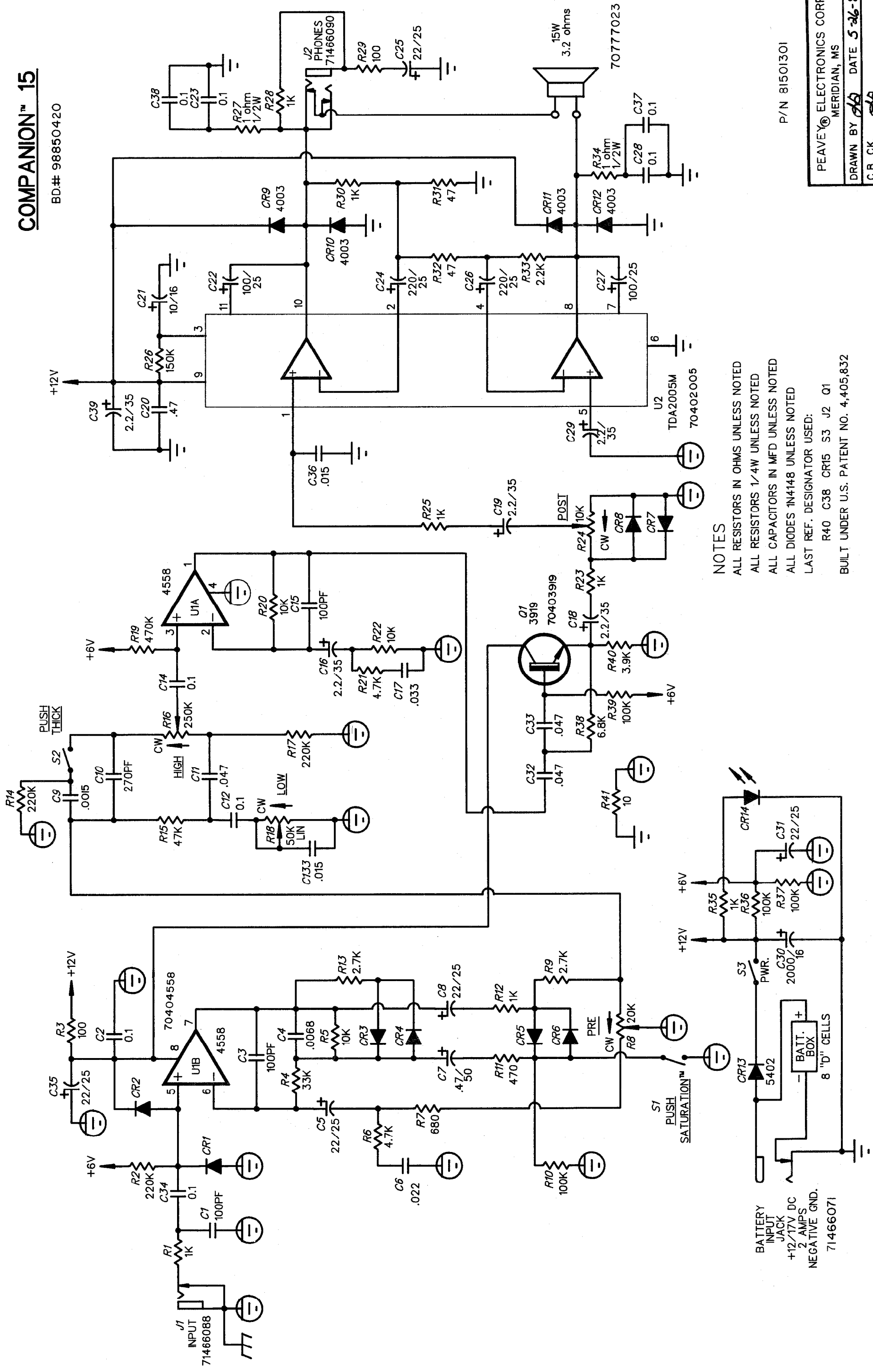


COMPANION™ 15

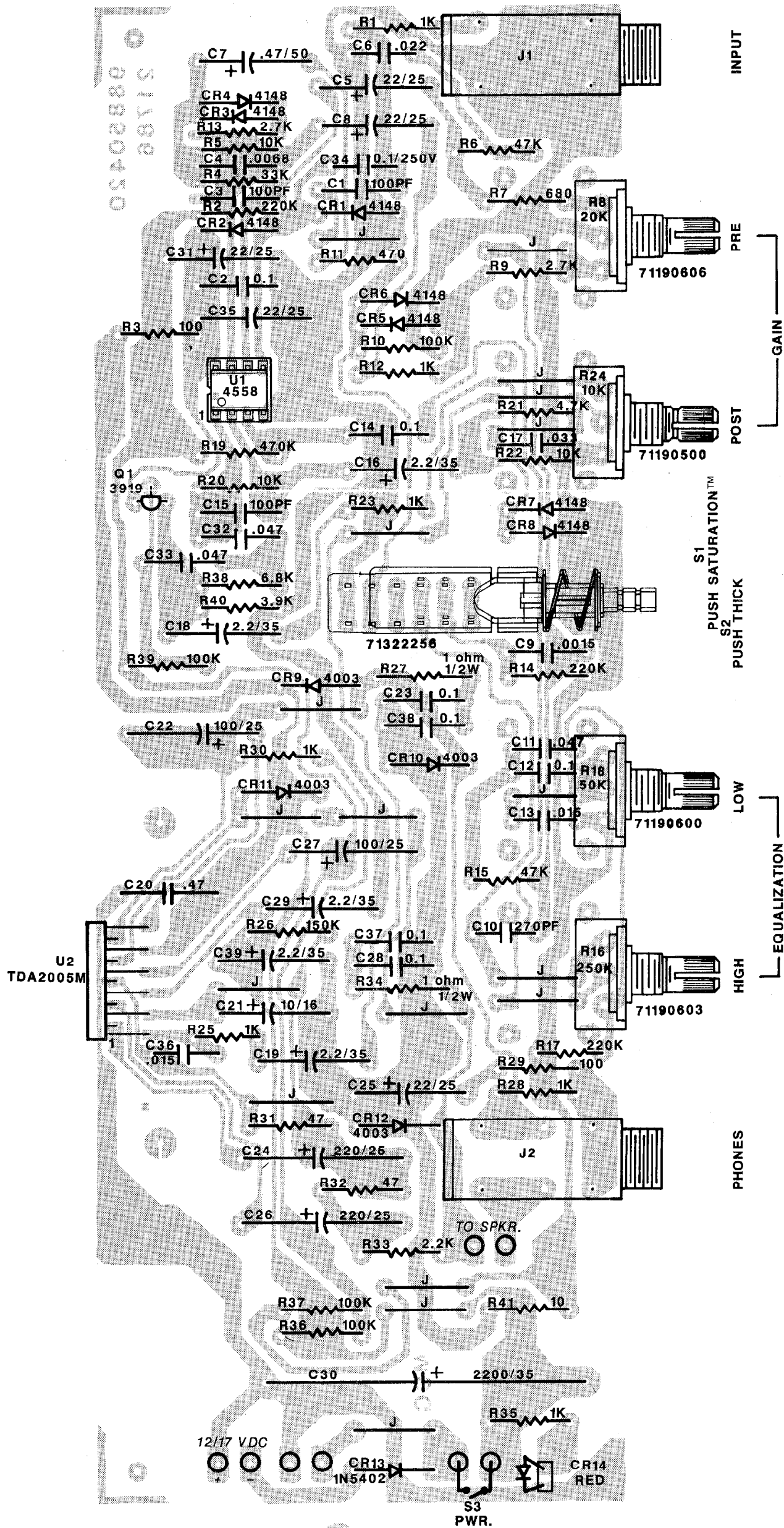
BD.# 98850420



NOTES
 ALL RESISTORS IN OHMS UNLESS NOTED
 ALL RESISTORS 1/4W UNLESS NOTED
 ALL CAPACITORS IN MFD UNLESS NOTED
 ALL DIODES 1N4148 UNLESS NOTED
 LAST REF. DESIGNATOR USED:
 R40 C38 CR15 S3 J2 Q1
 BUILT UNDER U.S. PATENT NO. 4,405,832

P/N 81501301

PEAVEY® ELECTRONICS CORP. MERIDIAN, MS
DRAWN BY <i>AB</i> DATE <i>5-26-86</i>
C.B. CK. <i>AB</i>
CK. BY <i>R Gross</i>
APPR. BY <i>JCB</i>



COMPANION™ 15