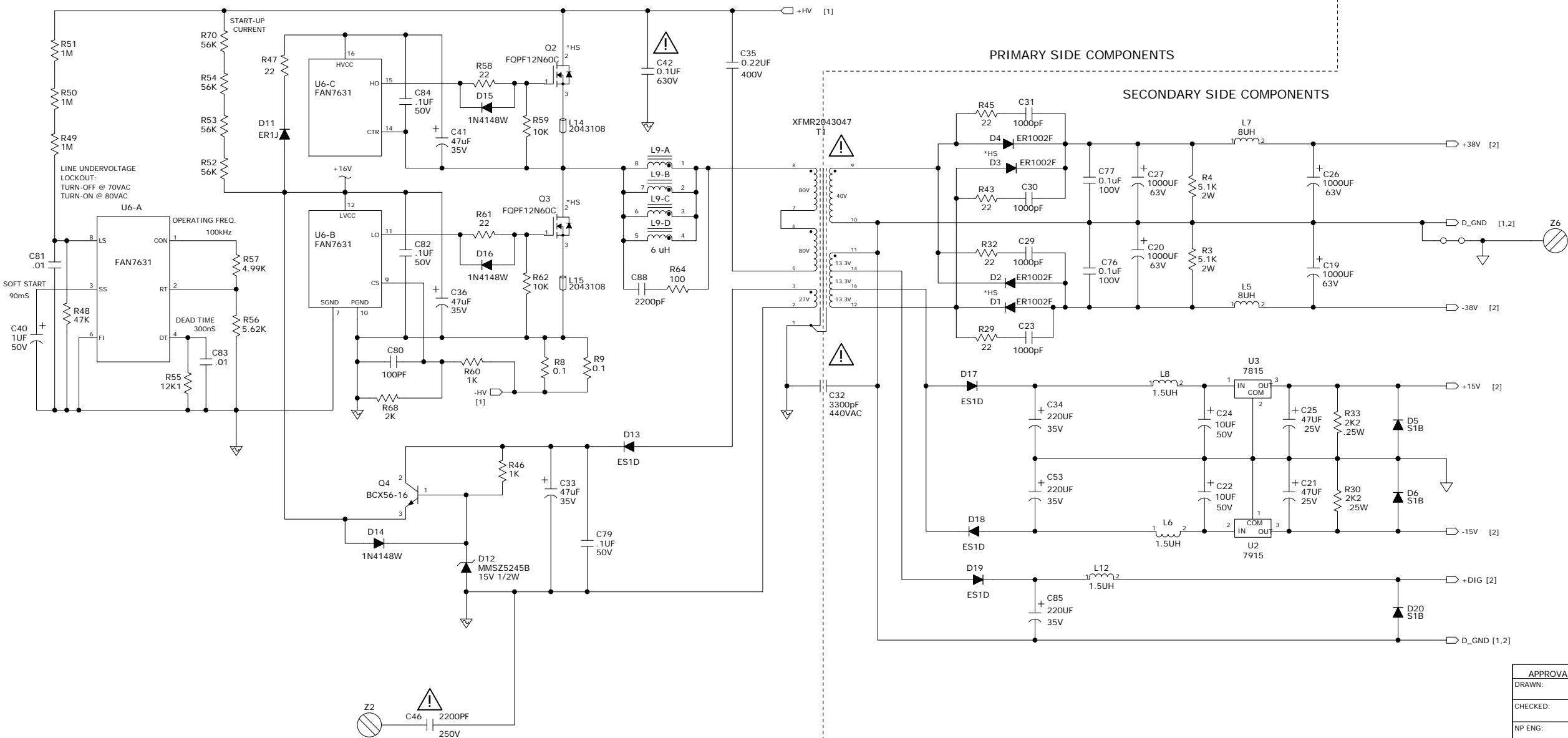
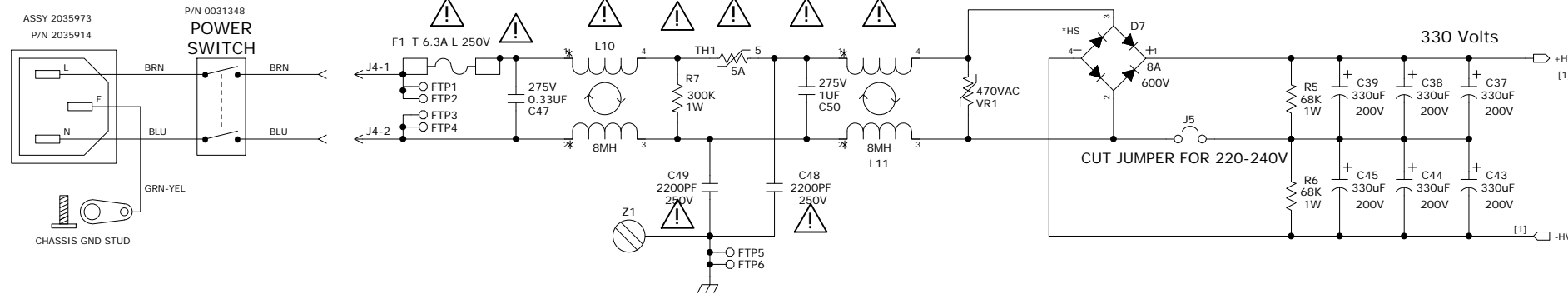



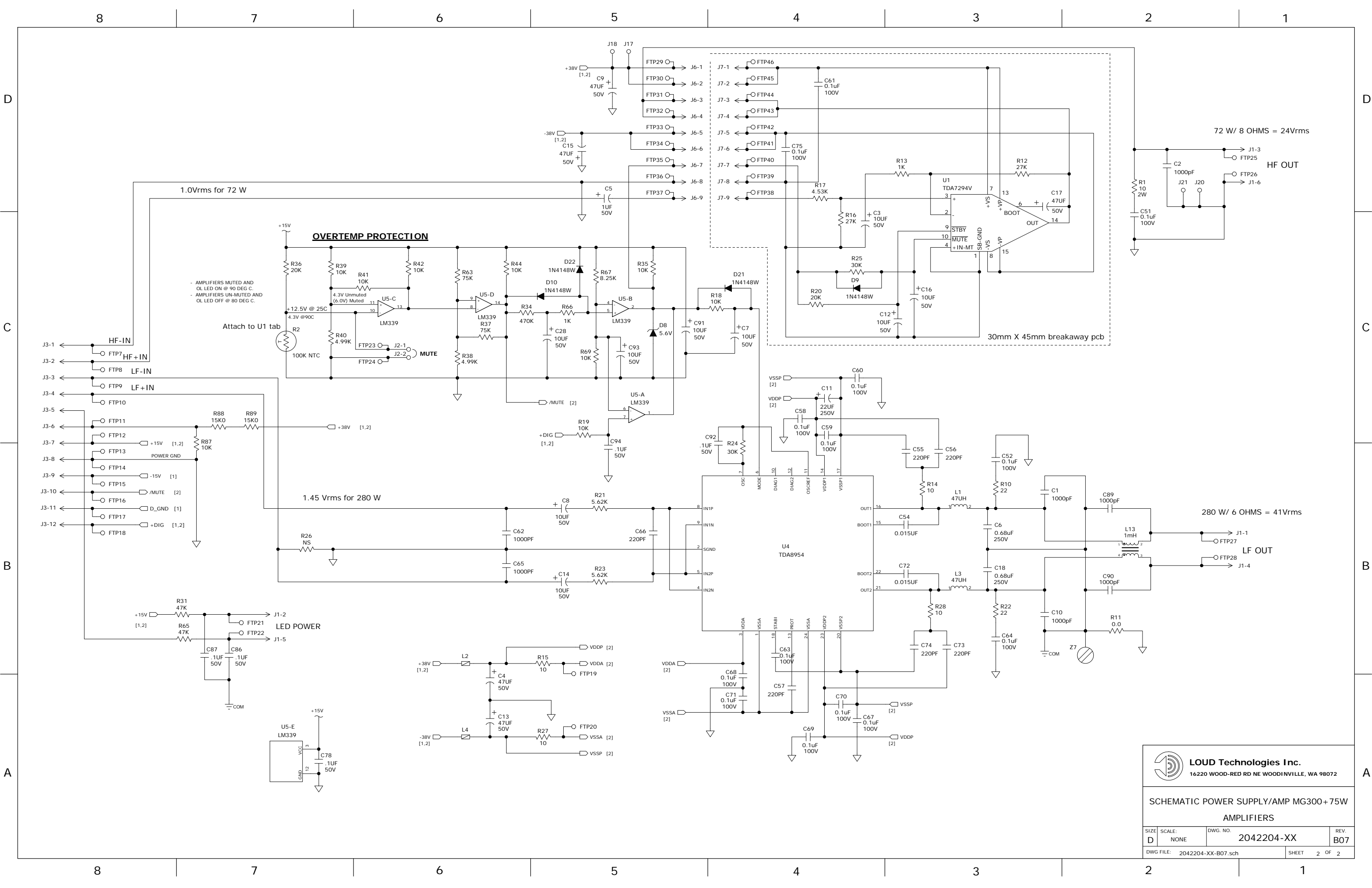
100-120VAC or 220-240VAC INPUT



- HDW1 (2043010) CLAMP IC TH-12A TH-15A v3
- MISC1 0005458-180 HEATSHRINK TUBE 2:1 VW-1 (18.0mm)
- LBL1 0017668-13 LBL IEC POWER RATING 100-120V~/ 220-240V~ 50-60Hz 150W
- LBL2 0032856 LBL SERIAL NUMBER GENERIC 35mm X 9.5mm UL
- SCH1 2042204-XX SCHEMATIC POWER SUPPLY/AMP MG300+75W
- PCB1 2042203-01 PCB FAB POWER SUPPLY/AMP MG300+75W
- FC2 400-060-00 FUSE CLIP PCMT 5MM DIA
- FC1 400-060-00 FUSE CLIP PCMT 5MM DIA
- RTV1 2040887 SILICONE RTV NON-FLOWABLE PASTE HI-TEMP ADD PER ASSY DWG
- RTV2 2034504 SILICONE RTV NON-FLOWABLE PASTE

APPROVALS	DATE	 LOUD Technologies Inc. 16220 WOOD-RED RD NE WOODINVILLE, WA 98072
DRAWN: RJ	3/11/2013	
CHECKED:		
NP ENG:		
MATERIAL:		
MFG:		
MFG ENG:		SIZE: D SCALE: NONE DWG. NO. 2042204-XX REV. B07
ISSUED:		DWG FILE: 2042204-XX-B07.sch SHEET 1 OF 2

© 2013 LOUD TECHNOLOGIES INC.
 ALL RIGHTS RESERVED
 THE INFORMATION CONTAINED HEREIN
 IS PROPRIETARY AND CONFIDENTIAL
 PROPERTY OF LOUD TECHNOLOGIES INC.



LOUD Technologies Inc.
 16220 WOOD-RED RD NE WOODINVILLE, WA 98072

SCHEMATIC POWER SUPPLY/AMP MG300+75W AMPLIFIERS

SIZE: D	SCALE: NONE	DWG. NO.: 2042204-XX	REV. B07
DWG FILE: 2042204-XX-B07.sch		SHEET 2 OF 2	