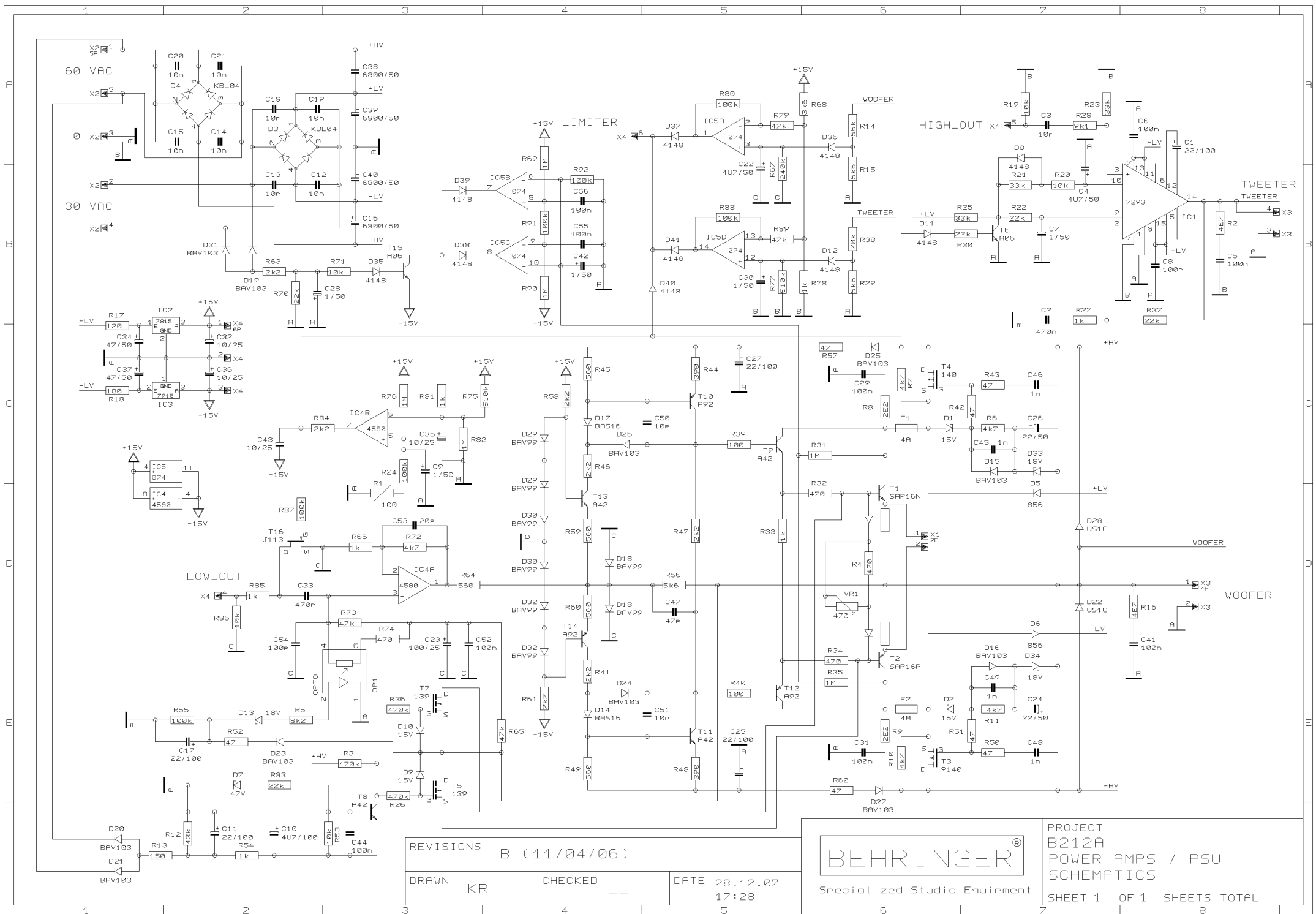


REVISIONS C (13/06/07)

DRAWN KR CHECKED DATE 28.12. 7 17:27

BEHRINGER
Specialized Studio Equipment

PROJECT B212AIN
EUROLIVE
INPUT/EO/LIMITER
SHEET 1 OF 1 SHEETS TOTAL



REVISIONS B (11/04/06)

DRAWN KR

CHECKED --

DATE 28.12.07
17:28



PROJECT B212A
POWER AMPS / PSU
SCHEMATICS
SHEET 1 OF 1 SHEETS TOTAL