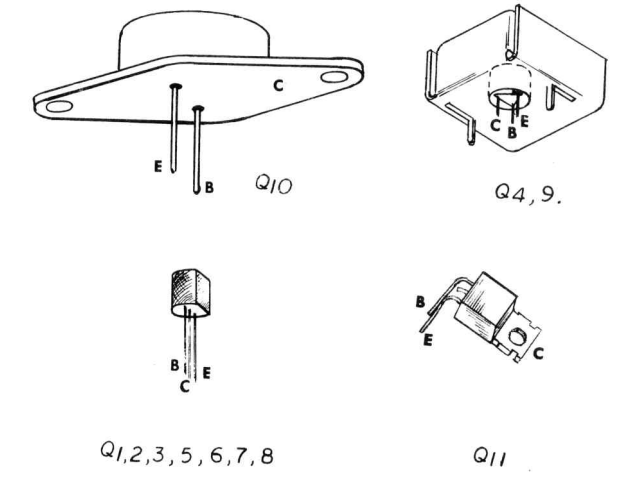


NOTES - ALL RESISTORS IN OHMS 1/2W ±10% UNLESS OTHERWISE SPECIFIED.
 - ALL CAPACITORS IN MFD. & 250V ±10% " " " "
 - D.C. VOLTAGE READINGS WITH NO SIGNAL APPLIED USING A 20 000 Ω PER-VOLT, VOLTMETER
 - NUMBERS IN PARENTHESIS REFER TO AMPEG'S PART NO.
 * - 8930081 & 3/8A. IN 240VOLT MODEL ONLY.
 - CIRCUIT OF CHASSIS MAY VARY SLIGHTLY FROM THAT SHOWN HERE DUE TO NORMAL PRODUCTION CHANGES.



MODEL GT-10
U.S. PATENT PENDING

DRN. BY	DATE	PART NO.	DWG. NO.	REV.
S.C.	5-6-71	4010264	06600	A

591711-1