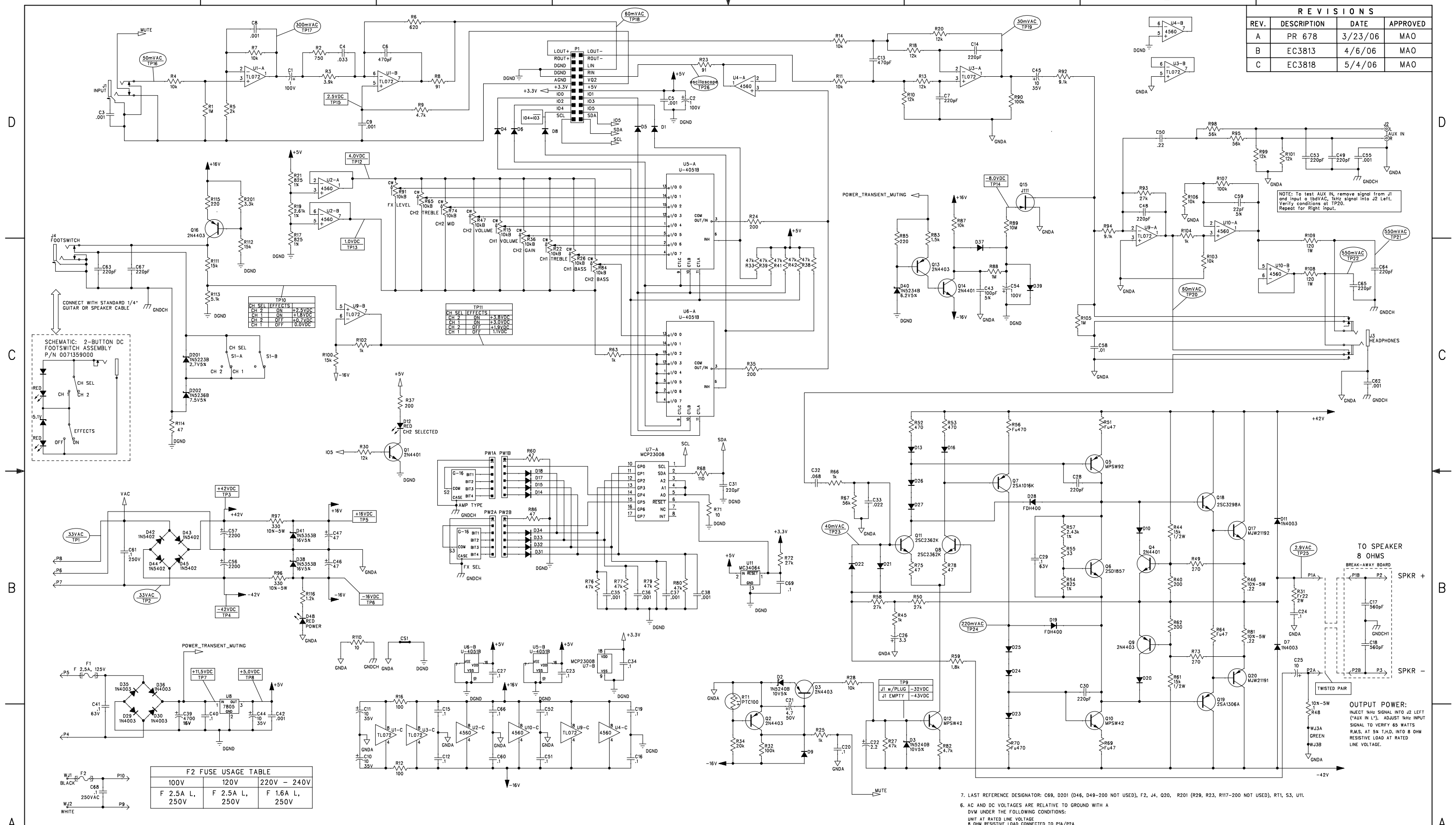
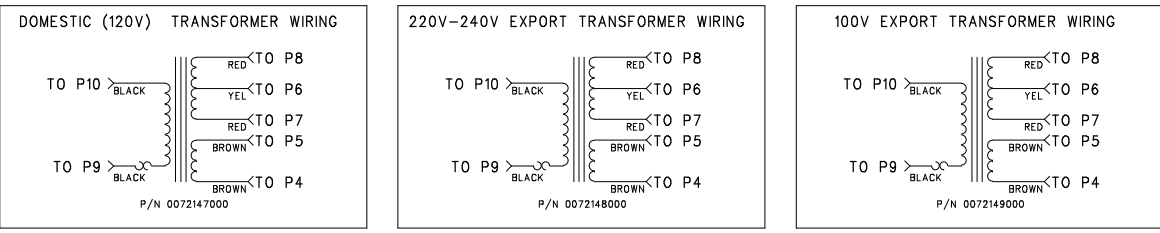
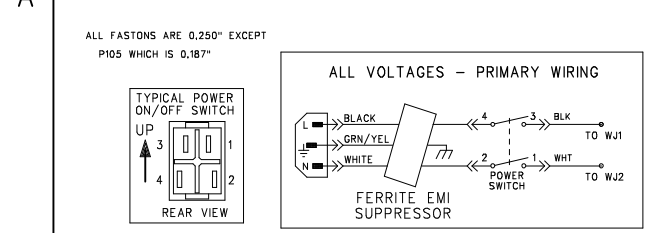


REVISIONS			
REV.	DESCRIPTION	DATE	APPROVED
A	PR 678	3/23/06	MAO
B	EC3813	4/6/06	MAO
C	EC3818	5/4/06	MAO



FUSE VALUE	VOLTAGE	REMARKS
F 2.5A L	120V	250V
F 2.5A L	220V - 240V	250V
F 1.6A L	250V	250V



7. LAST REFERENCE DESIGNATOR: C69, D201 (D46, D49-200 NOT USED), F2, J4, Q20, R201 (R29, R23, R17-200 NOT USED), R11, S3, U11.

6. AC AND DC VOLTAGES ARE RELATIVE TO GROUND WITH A DVM UNDER THE FOLLOWING CONDITIONS:
 UNIT AT RATED LINE VOLTAGE
 8 OHM RESISTIVE LOAD CONNECTED TO P14/P24
 FOOTSWITCH CONNECTED
 CH SEL SWITCH OUT (RED LED OFF)
 FX LEVEL CONTROL AT FULL CCW, VOLUME CONTROL AT "3"
 ALL OTHER CONTROLS AT "5 1/2"
 JACK INSERTED AT J1

5. THIS SCHEMATIC IS FOR PCB FABRICATION P/N 0069451000 AND PCB ASSEMBLY P/N 0069452000.
 4. ALL DIODES ARE 1N4448.
 3. ALL POLARIZED CAPACITORS IN uF, 20% 50V MINIMUM.
 2. ALL UNPOLARIZED CAPACITORS IN uF, 10% OR BETTER; 50V MINIMUM. (POWER SUPPLY BYPASS CAPACITORS ARE 20%).
 1. ALL RESISTORS IN OHMS, 5% 1/4W.

NOTES: (UNLESS OTHERWISE NOTED)

THIS DOCUMENT CONTAINS INFORMATION OF A PROPRIETARY NATURE TO FENDER MUSICAL INSTRUMENTS AND IS SUBMITTED TO YOU IN CONFIDENCE AND SHALL NOT BE DISCLOSED OR TRANSMITTED TO OTHERS WITHOUT AUTHORIZATION FROM FENDER MUSICAL INSTRUMENTS.

Fender MUSICAL INSTRUMENTS
Corona, CA USA

TITLE: SERVICE DIAGRAM, COMBINED (schematic)
FM65 DSP

CHECKED BY: _____ DATE: _____
 APPROVED BY: _____ DATE: _____
 DRAWN: M. ONEY ENGR: M. ONEY
 DATABASE FILE: Z678S.SCH

SIZE **D** DRAWING NUMBER **0069453000** REV. **C**

RELEASE DATE: 3/23/06 SHEET: 1 OF 2

OUTPUT POWER:
 INJECT 1kHz SIGNAL INTO J2 LEFT ("AUX IN"). ADJUST INH INPUT SIGNAL TO VERIFY 65 WATTS R.M.S. AT 5% T.H.D. INTO 8 OHM RESISTIVE LOAD AT RATED LINE VOLTAGE.

NOTE: To test AUX IN, remove signal from J1 and input a 1kHz sine wave into J2 Left. Verify conditions at TP20. Repeat for Right input.