

# FENDER MODEL

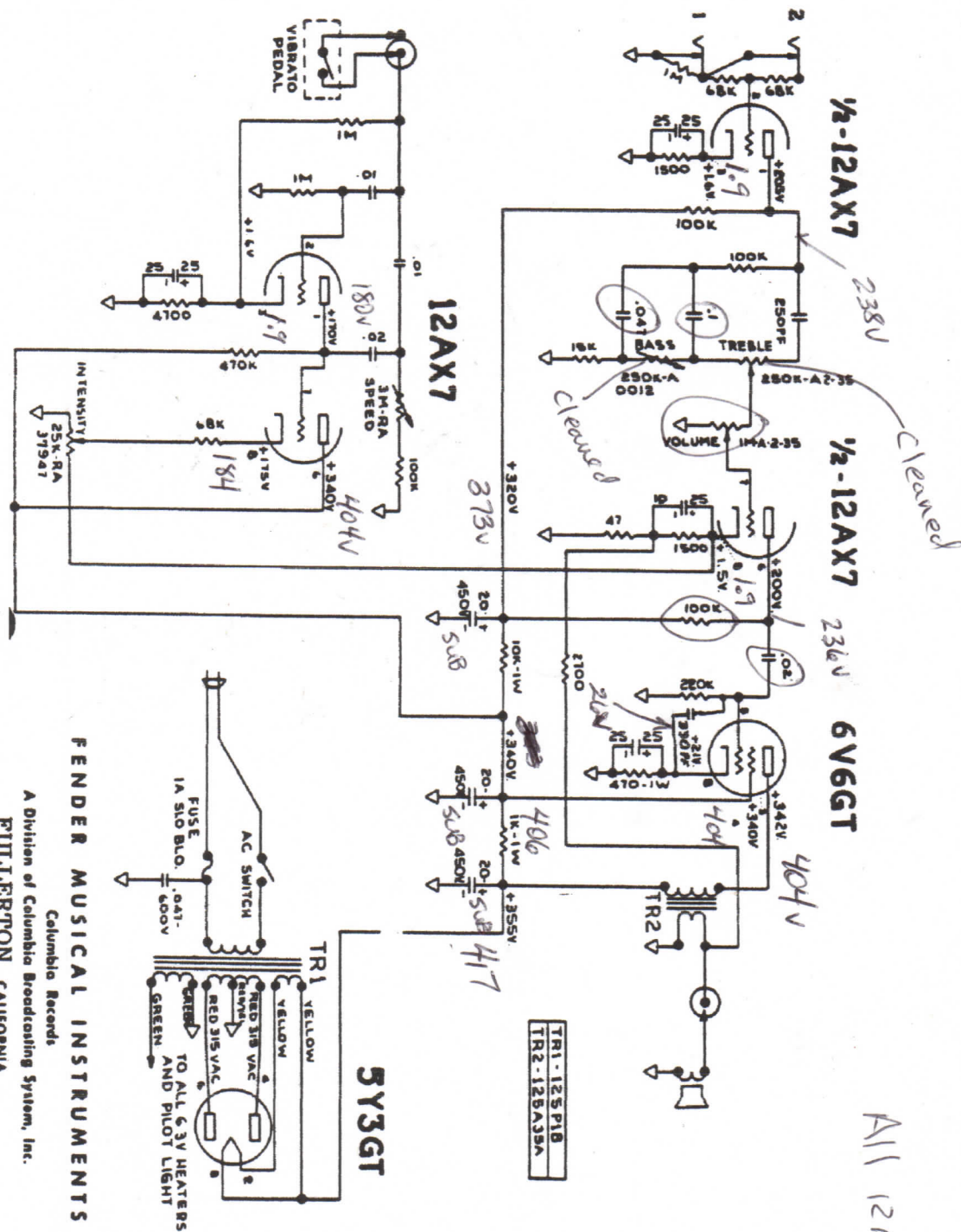
## "VIBRO-CHAMP AMP AA764" SCHEMATIC NOTICE

THIS PRODUCT IS MANUFACTURED UNDER THE FOLLOWING U.S. PATENT: DES. 192859

1-FD

- 1- VOLTAGES READ TO GROUND WITH ELECTRONIC VOLTMETER.
- 2- ALL RESISTORS 1/2 WATT 10% TOLERANCE IF NOT SPECIFIED.
- 3- ALL CAPACITORS AT LEAST 400 VOLT RATING IF NOT SPECIFIED.

### INSTRUMENTS



*All 12AX7's Replaced*

### FENDER MUSICAL INSTRUMENTS

Columbia Records  
A Division of Columbia Broadcasting System, Inc.  
FULLERTON CALIFORNIA  
U.S.A.