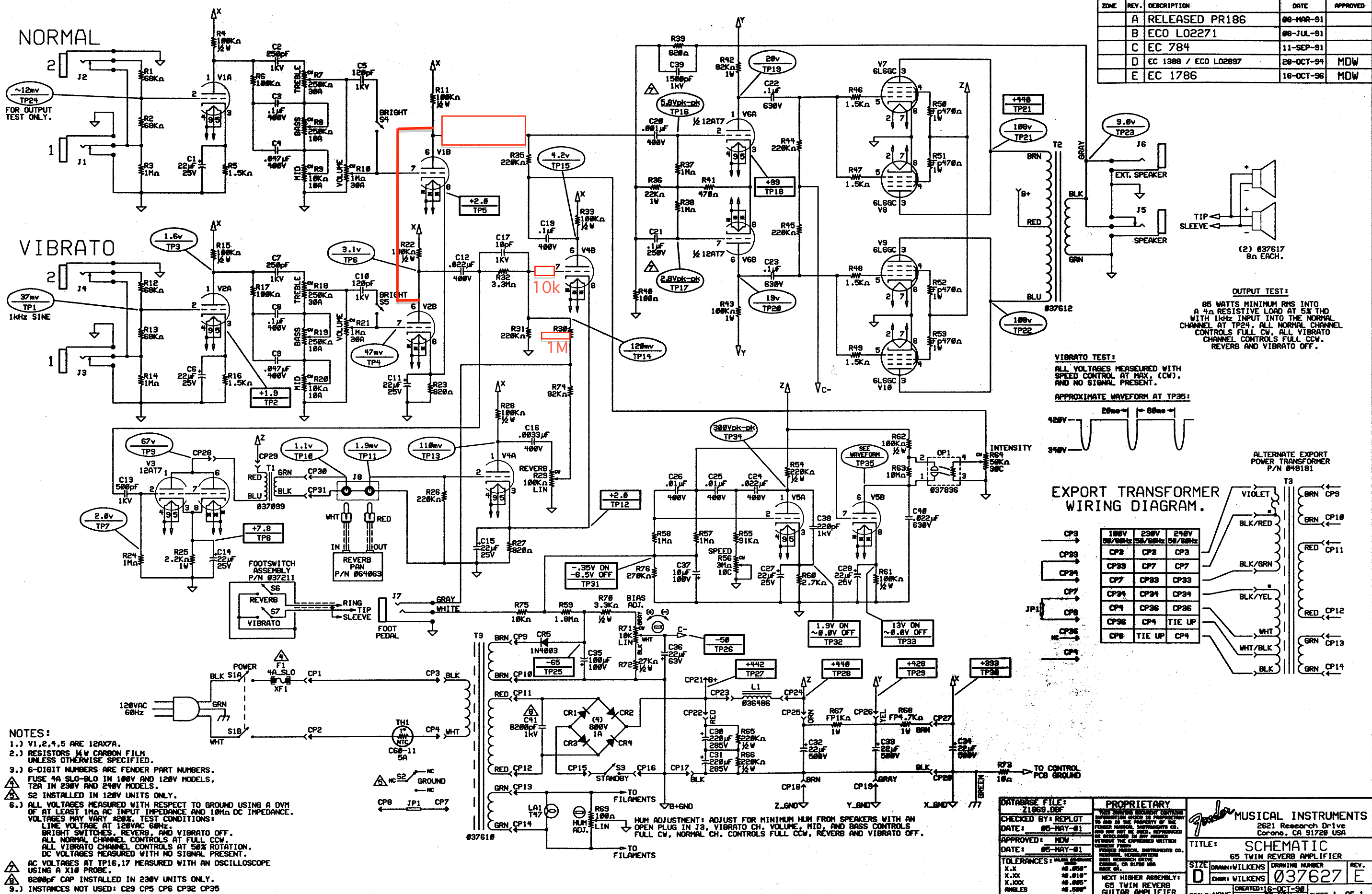
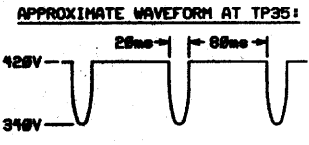


REVISIONS				
ZONE	REV.	DESCRIPTION	DATE	APPROVED
	A	RELEASED PR186	08-MAR-91	
	B	ECO L02271	08-JUL-91	
	C	EC 784	11-SEP-91	
	D	EC 1388 / ECO L02897	28-OCT-94	MDW
	E	EC 1786	16-OCT-96	MDW

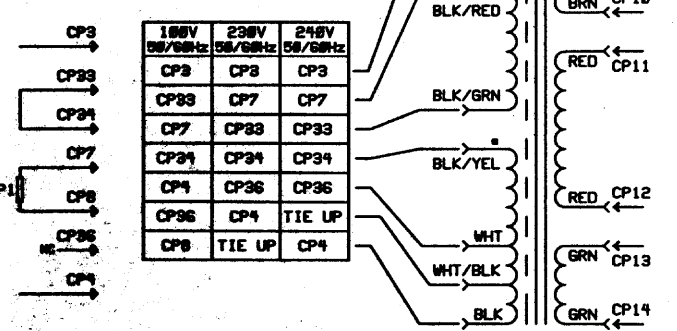


OUTPUT TEST:
 85 WATTS MINIMUM RMS INTO A 4Ω RESISTIVE LOAD AT 5% THD WITH 1kHz INPUT INTO THE NORMAL CHANNEL AT TP24. ALL NORMAL CHANNEL CONTROLS FULL CW, ALL VIBRATO CHANNEL CONTROLS FULL CCW. REVERB AND VIBRATO OFF.

VIBRATO TEST:
 ALL VOLTAGES MEASURED WITH SPEED CONTROL AT MAX. (CW), AND NO SIGNAL PRESENT.



EXPORT TRANSFORMER WIRING DIAGRAM.



- NOTES:**
- V1,2,4,5 ARE 12AX7A.
 - RESISTORS 1/4W CARBON FILM UNLESS OTHERWISE SPECIFIED.
 - 6-DIGIT NUMBERS ARE FENDER PART NUMBERS. FUSE 4A SLO-BLO IN 100V AND 120V MODELS, T2A IN 230V AND 240V MODELS. S2 INSTALLED IN 120V UNITS ONLY.
 - ALL VOLTAGES MEASURED WITH RESPECT TO GROUND USING A DVM OF AT LEAST 1MΩ AC INPUT IMPEDANCE AND 10MΩ DC IMPEDANCE. VOLTAGES MAY VARY ±2%. TEST CONDITIONS: LINE VOLTAGE AT 120VAC 60Hz. BRIGHT SWITCHES, REVERB, AND VIBRATO OFF. ALL NORMAL CHANNEL CONTROLS AT FULL CCW. ALL VIBRATO CHANNEL CONTROLS AT 50% ROTATION. DC VOLTAGES MEASURED WITH NO SIGNAL PRESENT.
 - AC VOLTAGES AT TP16,17 MEASURED WITH AN OSCILLOSCOPE USING A X10 PROBE.
 - 8200pF CAP INSTALLED IN 230V UNITS ONLY.
 - INSTANCES NOT USED: C29 CP5 CP6 CP32 CP35

DATABASE FILE: Z1869.DBF
 CHECKED BY: REPLIT
 DATE: 05-MAY-01
 APPROVED: MDW
 DATE: 05-MAY-01
 TOLERANCES: UNLESS OTHERWISE SPECIFIED
 X.X .50%
 X.XX .10%
 X.XXX .05%
 ANGLES 45°

PROPRIETARY
 THIS DOCUMENT CONTAINS INFORMATION WHICH IS PROPRIETARY TO AND IS THE PROPERTY OF THE FENDER MUSICAL INSTRUMENTS CO. AND MAY NOT BE USED, REPRODUCED OR DISCLOSED IN ANY MANNER WITHOUT THE WRITTEN CONSENT FROM FENDER MUSICAL INSTRUMENTS CO., 2621 RESEARCH DRIVE, CORONA, CA 91720 USA.

MUSICAL INSTRUMENTS
 2621 Research Drive
 Corona, CA 91720 USA

TITLE: SCHEMATIC
 65 TWIN REVERB AMPLIFIER

SIZE: D
 DRAWN: WILKENS
 CHECKED: WILKENS
 NEXT HIGHER ASSEMBLY: 65 TWIN REVERB GUITAR AMPLIFIER

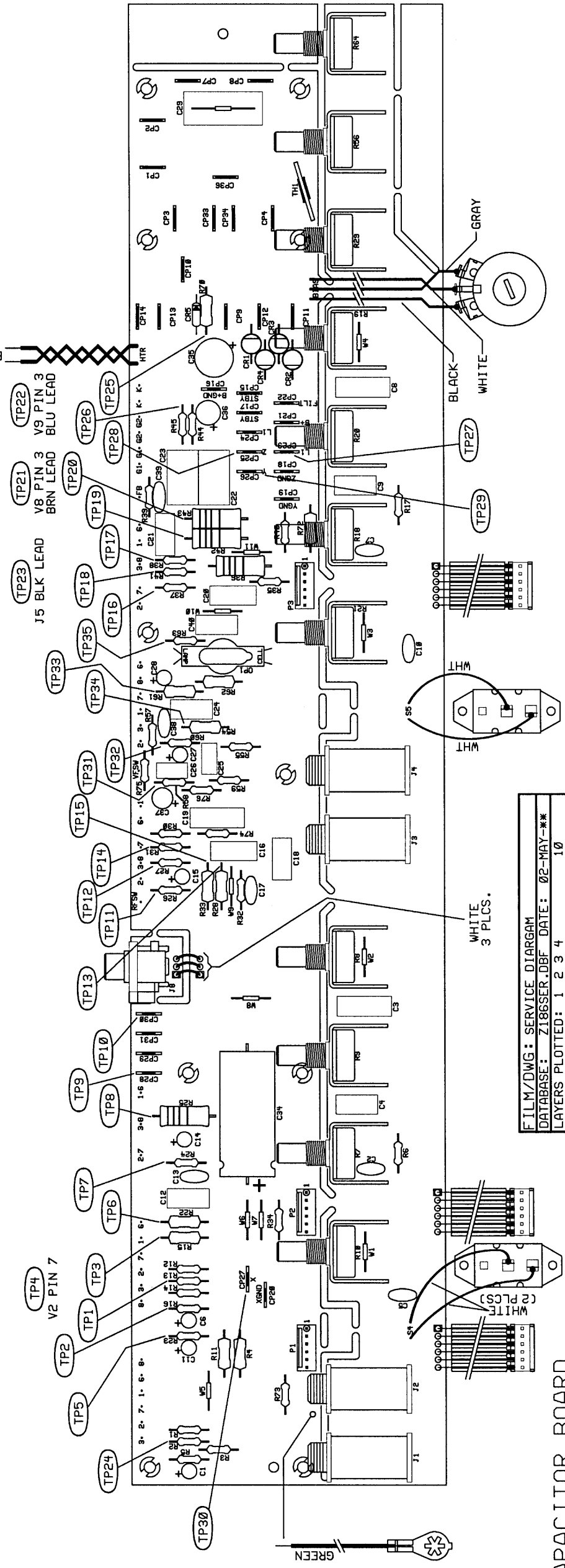
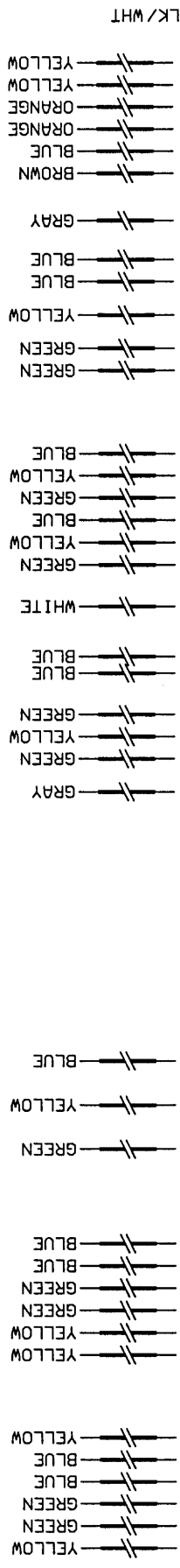
SCALE: NONE
 CREATED: 16-OCT-90
 PLOTTED: 02-MAY-91
 SHEET 1 OF 1

PART NO. 0037633000 1 OF 1 SHEET

1 2 3 4 5 6

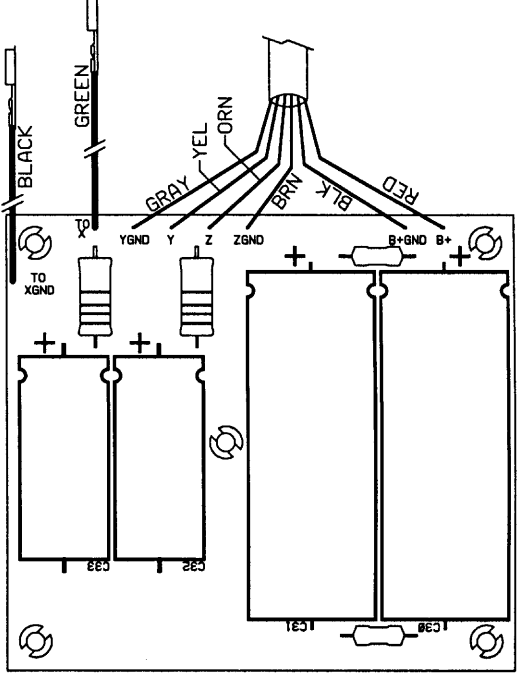
REVISIONS

ZONE	REV.	DESCRIPTION	DATE	APPROVED
	A	RELEASED PR 186	3/8/91	
	B	ECO L02271	09-JUL-91	
	C	EC 784	11-SEP-91	
△	D	EC 1388 / ECO L02839	24-JAN-95	<i>WLN</i>



FILM/DWG: SERVICE DIAGRAM
 DATABASE: Z186SER.DBF DATE: 02-MAY-95
 LAYERS PLOTTED: 1 2 3 4 10 15 18

CAPACITOR BOARD



NOTES:
 1.) PCB SHOWN AS FABRICATED, EXCEPT WITH CAPACITOR BREAK-AWAY BOARD SEPARATED. REV. D REFLECTS THE REMOVAL OF SECONDARY FUSING IN EXPORT UNITS THAT USE POWER TRANSFORMER P/N 049181, AND THE REMOVAL OF THE LINE BYPASS CAPACITOR IN DOMESTIC UNITS.

DATABASE FILE: Z186SER.DBF	PROPRIETARY THIS DRAWING DOCUMENT CONTAINS INFORMATION WHICH IS PROPRIETARY TO FENDER MUSICAL INSTRUMENTS CO. AND MAY NOT BE USED, REPRODUCED OR DISCLOSED IN ANY MANNER WITHOUT THE EXPRESSED WRITTEN CONSENT OF FENDER MUSICAL INSTRUMENTS CO.
CHECKED BY: REPLST	FENDER MUSICAL INSTRUMENTS CO. REGIONAL HEADQUARTERS 2621 RESEARCH DRIVE CORONA, CA 91728 USA STILL BELONGING...
DATE: 02-MAY-01	REV. D
APPROVED: <i>WLN</i>	SIZE: B
DATE: 02-MAY-01	DRAWN: WILKENS
TOLERANCES: UNLESS OTHERWISE SPECIFIED	ENGR: WILKENS
X.XX	DRAWING NUMBER: 037632
X.XXX	REV. D
ANGLES	SCALE: NONE
	CREATED: 01-NOV-90
	PLOTTED: 02-MAY-95
	SHEET 1 OF 1

C B A

C B A