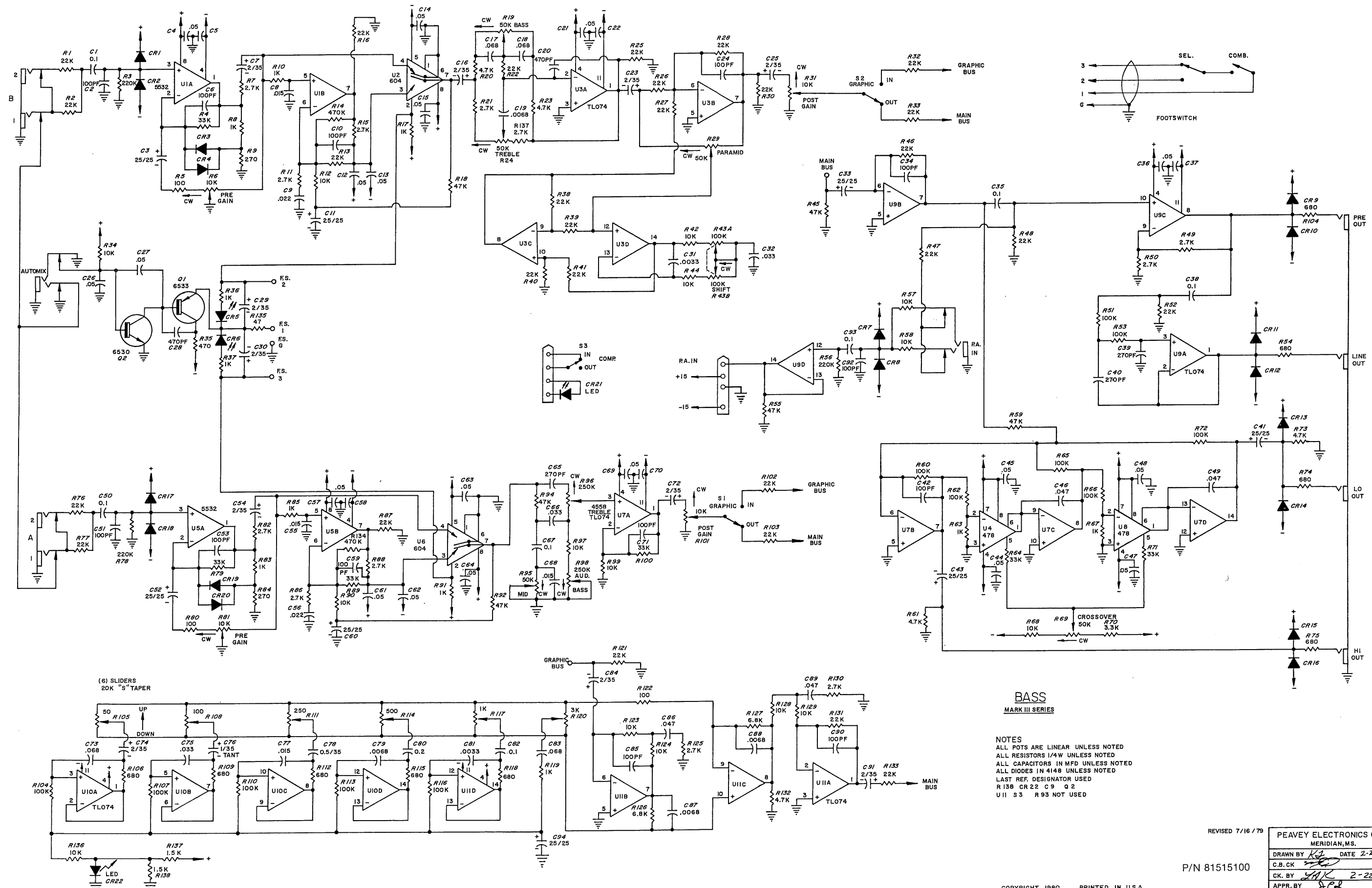


BASS



(6) SLIDERS
20K "S" TAPER

BASS
MARK III SERIES

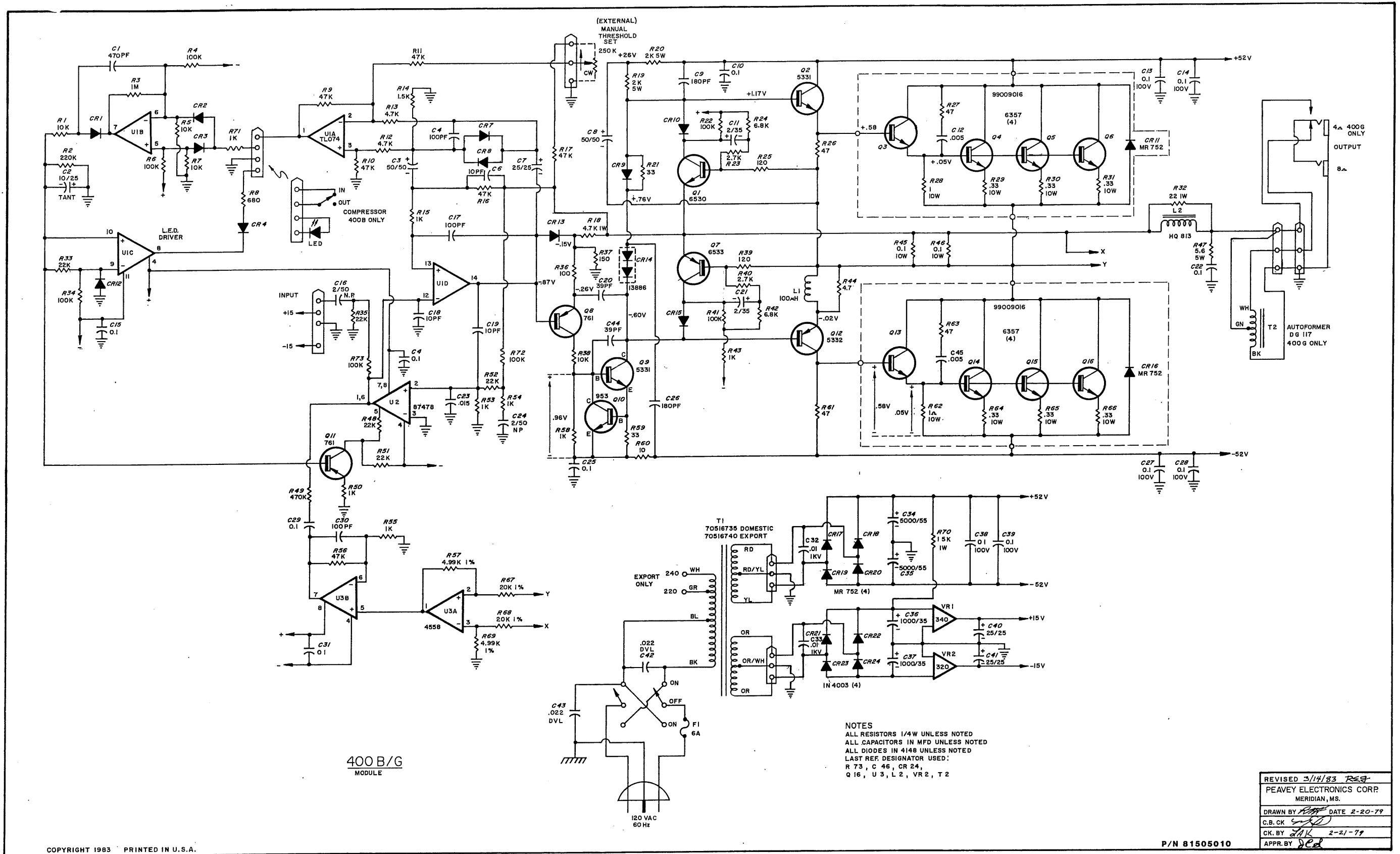
NOTES
ALL POTS ARE LINEAR UNLESS NOTED
ALL RESISTORS 1/4W UNLESS NOTED
ALL CAPACITORS IN MFD UNLESS NOTED
ALL DIODES IN 4148 UNLESS NOTED
LAST REF. DESIGNATOR USED
R138 CR22 C9 Q2
U11 S3 R93 NOT USED

REVISED 7/16/79

PEAVEY ELECTRONICS CORP MERIDIAN, MS.	
DRAWN BY <i>KJ</i>	DATE 2-22-79
C.B. CK	
CK. BY <i>SNK</i>	2-22-79
APPR. BY <i>JCB</i>	

P/N 81515100

COPYRIGHT 1980 PRINTED IN U.S.A.



REVISED	3/14/83	REG
PEAVEY ELECTRONICS CORP.		
MERIDIAN, MS.		
DRAWN BY	DATE	2-20-79
C.B. CK		
CK. BY	DATE	2-21-79
APPR. BY		

