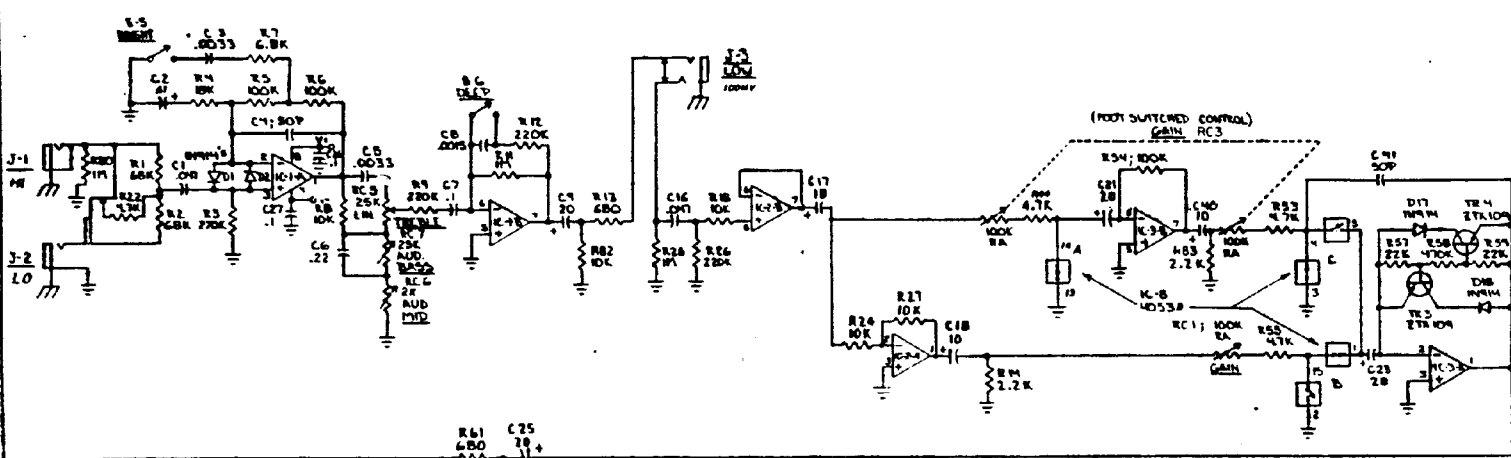
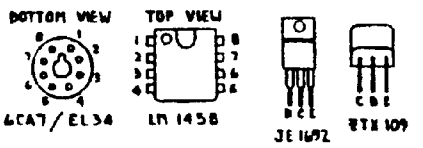
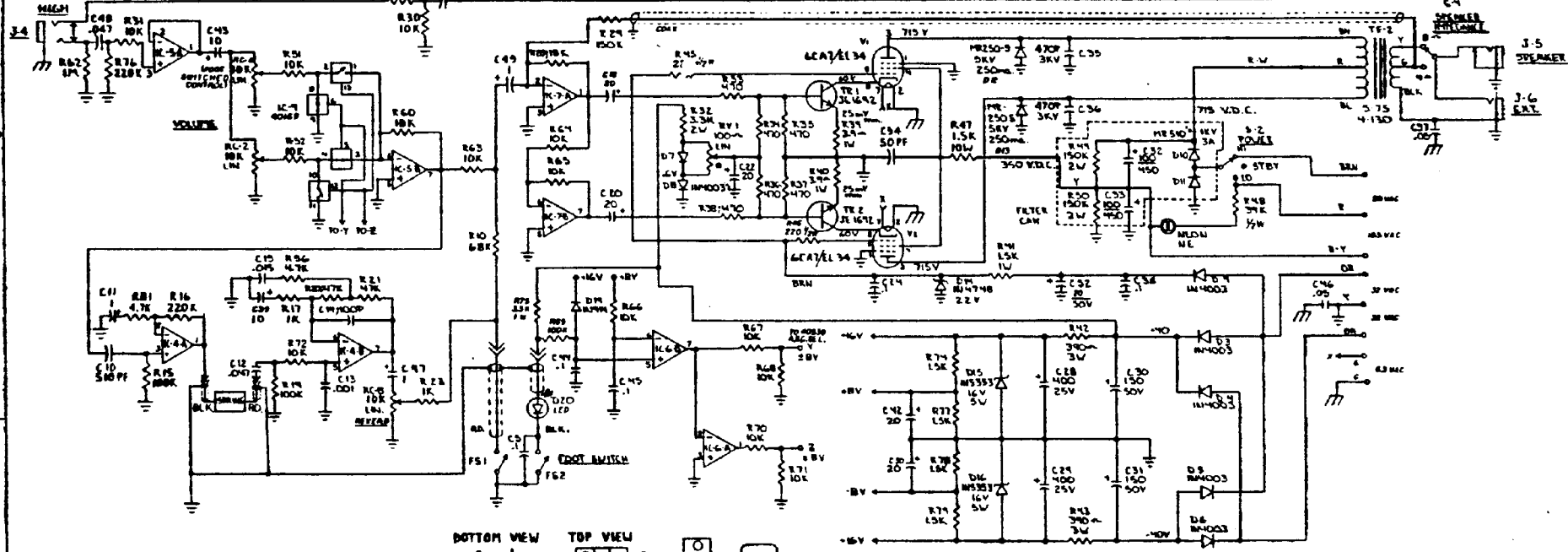


REV	DATE	BY	CHK
1			

C1, C41, C43, C49 WERE 2 MF
R16 WAS 100K
R81 WAS 2.2K



NOTE:
 1. ALL RESISTANCE VALUES ARE IN OHMS EXCEPT WHERE NOTED.
 2. ALL CAPACITANCE VALUES ARE IN MICROFARADS EXCEPT WHERE NOTED.
 3. W. VAC = WALL PLUG
 K = KILLO
 M = MILLI
 4. ALL OF APPS ARE 6AS8.



MUSIC MAN INC.	
MODEL	RD AMPLIFIER GD-2
DATE	
REV	
BY	
CHK	
APP	
TEST	
DATE	