

PRIMARY SIDE VIEW

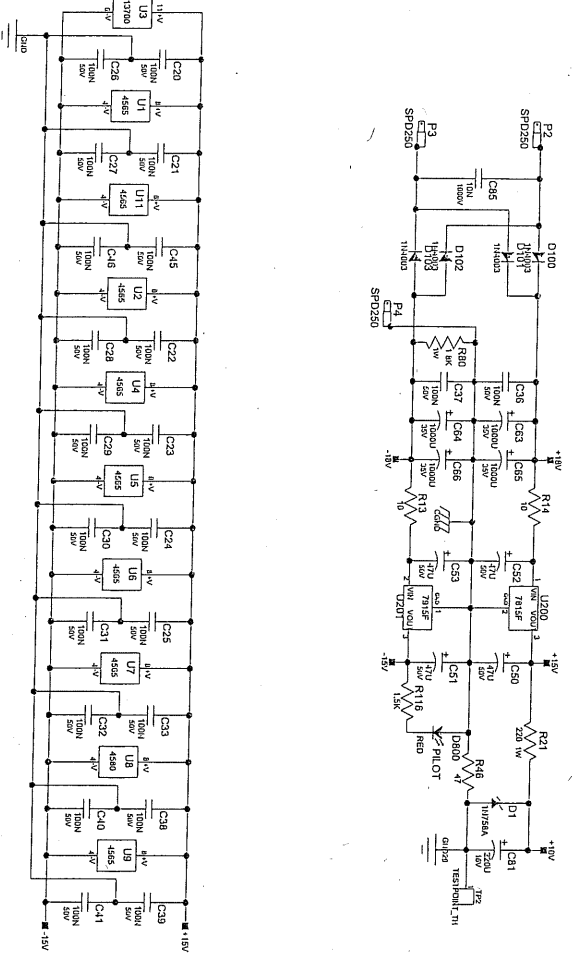
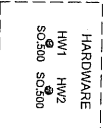
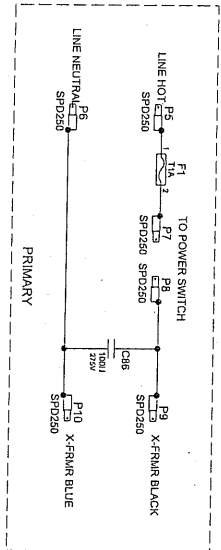
ACOUSTIC 208

Rev	Eng	Date:	Revision Description	ECN#
A				
B				
C				
D				
E				
F				

INDEX

SHEET	DESCRIPTION
1	POWER SUPPLY
2	PREAMP
3	REVERSE / CHORUS / POWER AMP

Note: All low value Resistors are 1% Watt unless otherwise indicated.
 All SMT 1206 Resistors are 1/4 Watt.
 All SMT 0805 Resistors are 1/10 Watt.
 Note: Capacitor Values are indicated as follows:
 val P = pF (picofarads) val * 10 exp-12
 val N = nF (nanofarads) val * 10 exp-9 (N=1000pF, 100N=0.1uF)
 val U = uF (microfarads) val * 10 exp-6



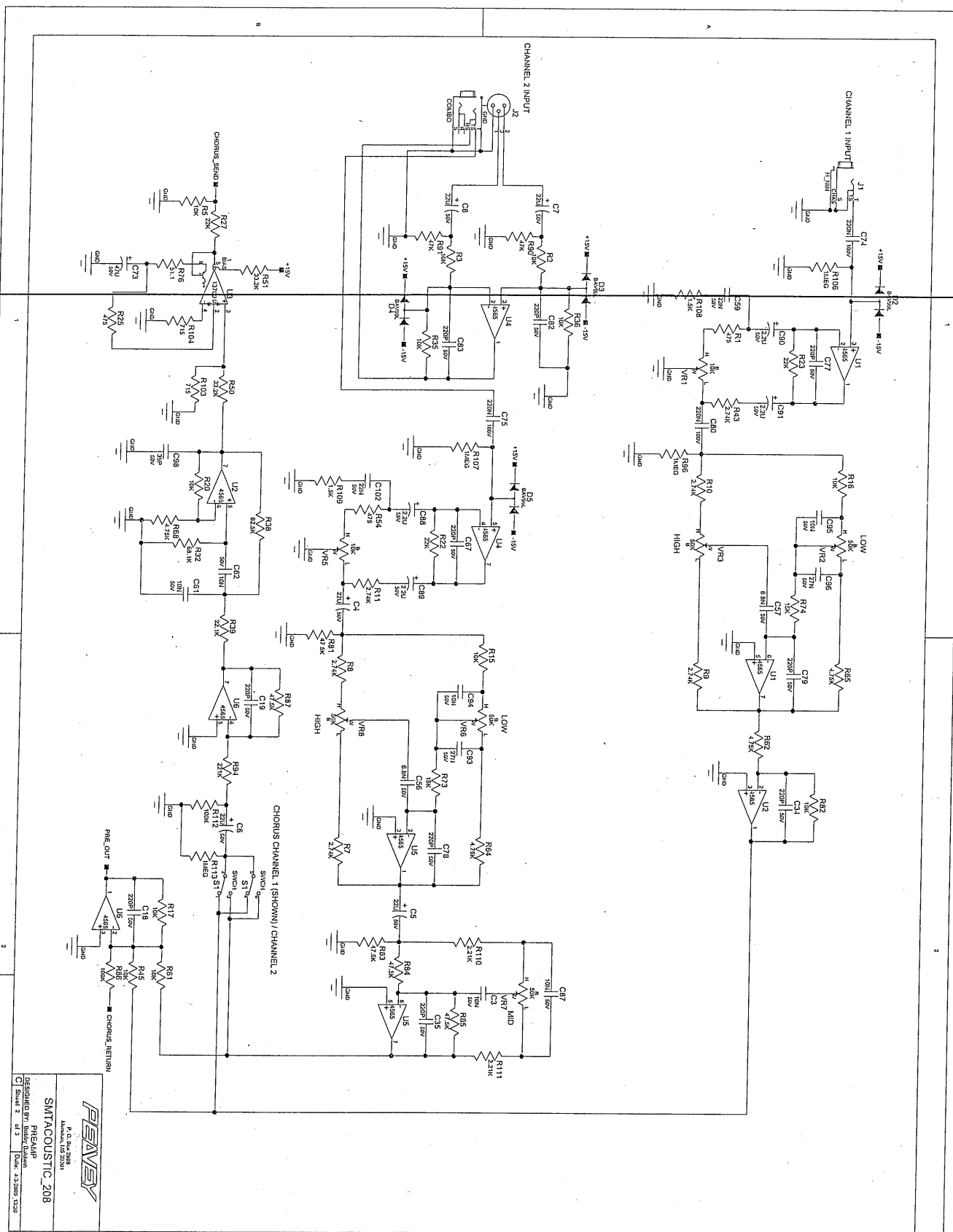
Copyright Peavey Electronics Corporation, 2008.


Company Proprietary Information

Peavey
 P. O. Box 2906
 Nashville, TN 37203

Product Number: SMTACOUSTIC_208

Eng: RBB Release Date: 4/23/08
 Sheet 1 of 3





 PENEY ELECTRONICS

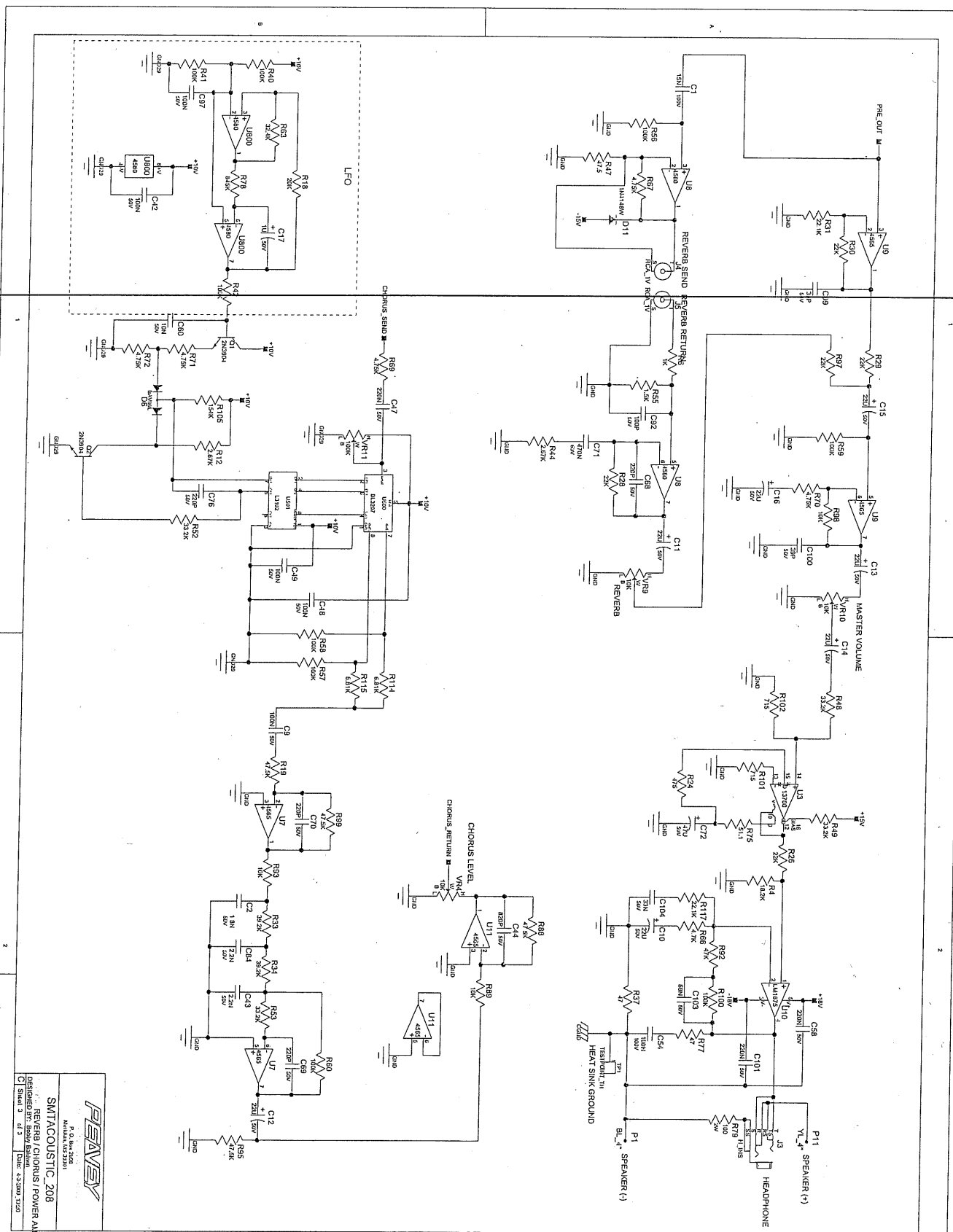
 Anaheim, CA 92701


SMTACOUSTIC_208

 PRE-AMP

 DESIGNED BY: Bobby Dutton

 Sheet 2 of 3 Date: 2-28-99 13:58





 P. O. Box 2008
 Milwaukee, WI 53208
SMTACOUSTIC 208
 REVERB / CHORUS / POWER AMP
 DESIGNED BY: Barry Bellamy
 Schem 3 of 3 Date: 03/2007 13:28

BILL OF MATERIAL REPORT

REPORT DATE/TIME: 4/10/2009 9:47:19 AM

BOARD NAME: 32101333 ASSEMBLY LEVEL NUMBER: 29098040

PROJECT NUMBER: P0600108 DESIGNER: AJJ

Qty.	Part #	Description	Reference Designators
3	30200012	47 1/4W 5% MF 1206	R37 R46 R77
1	30200025	4.7K 1/4W 5% MF 1206	R66
1	30200032	47K 1/4W 5% MF 1206	R92
1	30200074	10K 1/10W 0.1% MF 0805	R5
1	30200167	20K 1/10W 1% MF 0805	R18
8	30200169	22K 1/10W 5% MF 0805	R22 R23 R26 R27 R28 R29 R30 R97
14	30200174	10K 1/10W 1% MF 0805	R2 R3 R15 R16 R17 R20 R35 R36 R45 R61 R82 R89 R93 R98
2	30200179	51.1 1/10W 1% MF 0805	R75 R76
1	30200188	1.00K 1/10W 1% MF 0805	R6
3	30200190	1.50K 1/10W 1% MF 0805	R55 R108 R109
11	30200194	100K 1/10W 1% MF 0805	R40 R41 R42 R56 R57 R58 R59 R60 R86 R100 R112
4	30200195	1.00M 1/10W 1% MF 0805	R96 R106 R107 R113
9	30200205	47.5K 1/10W 1% MF 0805	R19 R81 R83 R84 R85 R87 R88 R95 R99
1	30200210	154K 1/10W 1% MF 0805	R105
2	30200239	10 1W 1% MF 2512	R13 R14
4	30200247	715 1/10W 1% MF 0805	R101 R102 R103 R104

6	30200248	2.74K	1/10W 1% MF 0805	R7 R8 R9 R10 R11 R43
9	30200251	4.75K	1/10W 1% MF 0805	R62 R64 R65 R67 R68 R69 R70 R71 R72
3	30200256	22.1K	1/10W 1% MF 0805	R31 R39 R117
2	30200259	39.2K	1/10W 1% MF 0805	R33 R34
1	30200266	18.2K	1/10W 1% MF 0805	R4
2	30200313	47K	1/10W 5% MF 0603	R90 R91
2	30200328	6.81K	1/10W 1% MF 0805	R114 R115
6	30200330	33.2K	1/10W 1% MF 0805	R48 R49 R50 R51 R52 R53
2	30200334	15.0K	1/10W 1% MF 0805	R73 R74
1	30200335	68.1K	1/10W 1% MF 0805	R32
1	30200337	82.5K	1/10W 1% MF 0805	R38
1	30200342	221K	1/10W 1% MF 0805	R94
4	30200356	475	1/10W 1% MF 0805	R1 R24 R25 R54
1	30200357	32.4K	1/10W 1% MF 0805	R63
2	30200413	2.67K	1/10W 1% MF 0805	R12 R44
1	30200434	845K	1/10W 1% MF 0805	R78
2	30200441	2.21K	1/10W .1% MF 0805	R110 R111
1	30200543	47.5	1/10W 1% 0805	R47
1	30210019	220	1W 5% MO AXL	R21
1	30210028	1.8K	1W 5% MO AXL	R80
1	30240018	1500	1/4W 5% CF AXL	R116
1	30250080	100	2W 5% MO AXL	R79
3	30300087	39PF	50V 5% NPO 0805	C98 C99 C100
1	30300088	100PF	50V 5% NPO 0805	C92
14	30300089	220PF	50V 5% NPO 0805	C18 C19 C34 C35 C67 C68 C69 C70 C76 C77 C78 C79

				C82 C83
24	30300093	0.1UF	50V 10% X7R 0805	C20 C21 C22 C23 C24 C25 C26 C27 C28 C29 C30 C31 C32 C33 C38 C39 C40 C41 C42 C45 C46 C48 C49 C97
1	30300116	0.01UF	50V 5% X7R 0805	C60
4	30300122	47UF	50V 20% EL SMT8	C50 C51 C52 C53
2	30300153	2200PF	50V 10% NPO 0805	C43 C84
1	30300168	820PF	50V 10% X7R 0805	C44
1	30300234	1800PF	50V 5% NPO 0805	C2
2	30320117	47UF	50V 20% EL RADH	C72 C73
4	30320180	2.2UF	50V 20% EL RAD	C88 C89 C90 C91
12	30320181	22UF	50V 20% EL RAD	C4 C5 C6 C7 C8 C10 C11 C12 C13 C14 C15 C16
4	30320186	1000UF	35V 20% EL RAD	C63 C64 C65 C66
2	30320234	0.01UF	50V 2% PE RADH	C3 C87
1	30320248	0.01UF	1000V 80-20% Z5U RAD	C85
1	30320261	1UF	50V 20% EL RAD	C17
1	30320293	220UF	16V 20% EL RAD	C81
1	30320556	0.1UF	275V 10% "X" RADH	C86
1	30330051	0.015UF	100V 5% PE RADH	C1
1	30330113	0.1UF	100V 10% PPS RAD	C54
3	30330114	0.22UF	100V 5% PES RAD	C74 C75 C80
1	30330115	0.033UF	50V 5% PE RAD	C104
2	30330117	6800PF	50V 5% PE RAD	C56 C57
1	30330124	0.068UF	50V 5% PE RAD	C103
2	30330125	0.027UF	50V 5% PE RAD	C93 C96

3	30330128	0.22UF 50V 5% PE RAD	C47 C58 C101
1	30330129	0.1UF 50V 5% PE RAD	C9
2	30330134	0.022UF 50V 5% PE RAD	C59 C102
4	30330155	0.01UF 50V 5% PE RAD	C61 C62 C94 C95
1	30330159	0.47UF 63V 5% PES RAD	C71
2	30340100	0.1UF 50V 80-20% Z5U AXL	C36 C37
1	30400318	7815F +15V INS TO-220F HOR	U200
1	30400319	7915 -15V INS TO-220F HOR	U201
1	30401875	LM-1875 PWRAMP VER. MNT.	U10
1	30403102	L3102 BBD CLCK GEN.DRVR	U501
1	30403207	BL3207 1024-ST. LO-NOISE BUCKE	U500
2	30418135	2N3904 NPN SOT23	Q1 Q2
2	30418158	4580 DUAL LN OPAMP SO8	U8 U800
1	30418231	NJM13700 DUAL OTA SMT	U3
4	30418261	1N4003 - SMT - SMA PKG	D100 D101 D102 D103
1	30418328	1N4148W SWITCHING DIODE	D11
8	30418506	4565 DUAL OPAMP SOIC8W	U1 U2 U4 U5 U6 U7 U9 U11
5	30418655	UNAP BAV99L DUAL 4148 DIODE SO	D2 D3 D4 D5 D6
1	30420758	1N758A ZENER DIODE, T&R	D1
1	30450034	RED LED T1 BULK	D800
1	30651157	BL 16 AWG, 4", 105 DEGREE, SI250, CPT	P1
1	30651158	YL 16 AWG, 4", 105 DEGREE, SI250, CPT	P11
2	30901859	STND .500 T4-40,SW,AL,ST	HW1 HW2
1	30905045	FUSE, T1A 250V 3.6X10 PIGTAIL	F1
1	31190083	100KB SNGL 10MM TRM VER	VR11
5	31190900	10KB SNGL 12MM HOR	VR1 VR4 VR5 VR9

			VR10
5	31190905	50KB SNGL 12MM DET HOR	VR2 VR3 VR6 VR7 VR8
1	31322341	SWITCH DPDT PP 2.8MM PC H	S1
1	31466223	JACK, STEREO R/A 1/4" 6.5MM	J3
1	31466231	COMB COAXL FXLR-1/4JK	J2
1	31466322	JACK, MONO R/A 1/4" 6.5MM NINS	J1
<hr/>			
2	31466493	SNAP-FIT VERT RCA JACK, RED	J4 J5
9	33716194	SPADE .250 PC MNT .093	P2 P3 P4 P5 P6 P7 P8 P9 P10
5	FIDUCIAL	????????????????????????????????	FID1 FID2 FID3 FID4 FID5
2	TEST_TH	PAD- TH TEST POINT .125"	TP1 TP2

 END OF BILL OF MATERIAL REPORT
